

PRICE LIST
2024-2025





Making A Million Connections Everyday

A story of
billions of
electrical
connections
made over
4 decades

From very humble beginnings to becoming one of the leading manufacturers of Terminal Blocks in the world, Connectwell is a dynamic organization focused on making the highest quality electro-mechanical and electronic products.

15+ international product certifications backed by the most stringent quality standards put our products through 40+ quality tests. This has ensured a ready acceptance of our products across 80+ countries and in thousands of projects and applications.

With world class manufacturing infrastructure and systems which are ISO certified, Connectwell today has become a synonym for

... The Right Connection

VISION

We will build a brand that puts people at the center of it's business.



For our employees we will create an environment which inspires them to achieve higher goals.



For our customers we will provide products which bring them the right value.



For the society at large we will create meaningful employment and will support those in need.

MISSION

Connectwell is dedicated to achieve customer satisfaction by, supplying the Right Product, at the Right Time and at the Right Cost.

connectwell TODAY

1 M+

Connections Made Everyday

45+ Yrs.

Delighting Customers

15+

Global Product Approvals

40+

Quality Tests

80+

Countries Serviced

300+

Channel Partners

OUR STRENGTHS

From product conceptualization to realization, we are well equipped with the latest software and high precision machinery to meet the requirements of our customers. Some of these strengths are:



Precision High Volume Plastic Moulding

High Speed Sheet Metal Processing

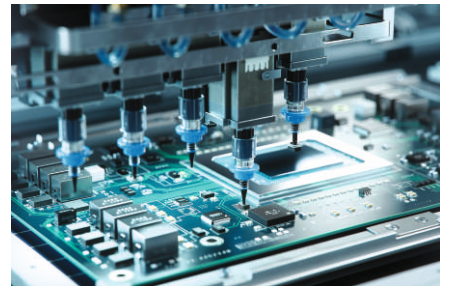
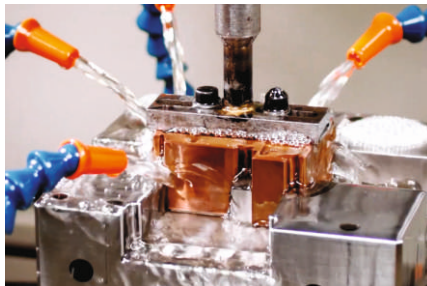
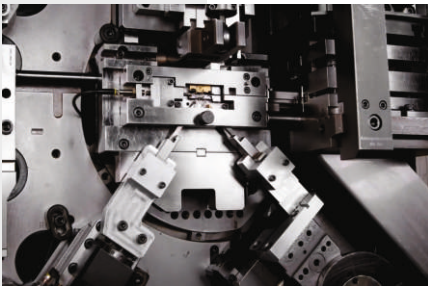
Precision Electronic Manufacturing

High Volume Automated Assembly

Electro-mechanical and Electronic Product Design

Tool Design and Development

Highly Automated Supply Chain Management



QUALITY as a way of life



International Product Approvals

IEC, UL, CSA, VDE, CCC



Industry Specific Approvals

ATEX, IECEx, AEX, EAC, INMETRO

QMS

System

ISO9001:2015



Environmental Consciousness

ISO14001:2015



Work Place Safety

ISO45001:2018



UL Accredited Laboratory

Enable rapid and consistent product testing



Enterprise Class Software

SAP, Dynamics, Team Center



Operational Excellence

TPM, Lean Six Sigma

SOLUTIONS ACROSS INDUSTRIES

Our customers range from the largest to smallest enterprises across a variety of industries.

Here are some interesting case studies.



Connection Solutions for Telangana Super Thermal Power Project

Power



Dust Proof Interfacing Solutions for Cement Industry

Continuous Process



Smart Electrical Connections for a World Class Machine Builder

Machinery & Factory Automation



Connectwell Solutions for a Global HVAC Leader

Building Infrastructure



**READ MORE
CASE STUDIES
HERE**



Electrical Connection Solutions for Challenging Railway Requirements

Railways



PRESENT Where & When YOU NEED US

VIRTUAL

Product Configuration

Our Visual Solution Configurator allows you to create custom solutions for your needs in minutes.

<<< WIDE >>>

Network of Distributors

Our dealers across India and the world, ensure the availability of our products and mitigate any supply chain hindrances.

100+ Sales & Product Support Personnel

Our skilled Sales and Marketing Team, backed by Product Experts, is here to guide you to the right solution for your needs.


Present in **80+** Countries

No Matter where your business takes you, you will find Connectwell present to help you with products and solutions




Self Service Portal

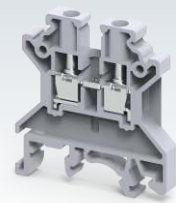
Our Self Service Portal enables you with the correct information on the status of your orders and more.




Wire Range : 0.2 - 2.5 mm²
 Current (A) : 24 A
 Voltage (V) : 1000 V
 Dimensions Width (Thickness) x Length : 5 x 43 mm
 Height with Din 35 x 7.5 mm Rail : 46.2 mm




	Part #	Description	Std. Pack	UOM	List Price in	Group
TERMINAL BLOCK	CTS2.5UN	2.5 mm ² FEED THRU SCREW CLAMP TB	100	EA	9.60	B
	CTS2.5UNBU	2.5 mm ² FEED THRU SCREW CLAMP TB BLUE	100	EA	10.60	B
	CTS2.5UNBK	2.5 mm ² FEED THRU SCREW CLAMP TB BLACK	100	EA	10.60	B
	CTS2.5UNR	2.5 mm ² FEED THRU SCREW CLAMP TB RED	100	EA	10.60	B
	CTS2.5UNY	2.5 mm ² FEED THRU SCREW CLAMP TB YELLOW	100	EA	10.60	B
	CTS2.5UNGN	2.5 mm ² FEED THRU SCREW CLAMP TB GREEN	100	EA	10.60	B
ACCESSORIES	EP2.5/4UN	END PLATE FOR CTS2.5UN/4UN	50	EA	6.20	B
	PP2.5/4UN	PARTITION PLATE FOR CTS2.5UN/4UN/2.5UE	50	EA	12.30	B
	CA721/2	2P PRE ASSEMBLED SHRT LNK FR 5mm WIDE TB	100	EA	14.50	B
	CA721/3	3P PRE ASSEMBLED SHRT LNK FR 5mm WIDE TB	100	EA	21.60	B
	CA721/4	4P PRE ASSEMBLED SHRT LNK FR 5mm WIDE TB	100	EA	28.80	B
	CA721/10	10P PRE ASSEM SHRT LINK FOR 5mm WIDE TB	10	EA	71.90	B
	MC5	MARKER CARD 4.95MM PITCH WITH 84 TAGS	1	PKT	817.00	B
	MC5WP	PRNTD MARKER CARD 4.95MM PITCH 84 TAGS	1	PKT	946.00	B




Wire Range : 0.2 - 4.0 mm²
 Current (A) : 30 A
 Voltage (V) : 1000 V
 Dimensions Width (Thickness) x Length : 6 x 43 mm
 Height with Din 35 x 7.5 mm Rail : 46.2 mm



	Part #	Description	Std. Pack	UOM	List Price in	Group
TERMINAL BLOCK	CTS2.5UE	2.5 mm ² FD THRU SCRW CLMP TERMINAL BLOCK	100	EA	12.10	B
	CTS2.5UEBU	2.5 mm ² FEED THRU SCREW CLAMP TB BLUE	100	EA	13.30	B
	CTS2.5UEBK	2.5 mm ² FEED THRU SCREW CLAMP TB BLACK	100	EA	13.30	B
	CTS2.5UER	2.5 mm ² FEED THRU SCREW CLAMP TB RED	100	EA	13.30	B
	CTS2.5UEY	2.5 mm ² FEED THRU SCREW CLAMP TB YELLOW	100	EA	13.30	B
	CTS2.5UEGN	2.5 mm ² FEED THRU SCREW CLAMP TB GREEN	100	EA	13.30	B
ACCESSORIES	EP2.5/4UN	END PLATE FOR CTS2.5UN/4UN	50	EA	6.20	B
	PP2.5/4UN	PARTITION PLATE FOR CTS2.5UN/4UN/2.5UE	50	EA	12.30	B
	CA722/2	2P PRE ASSEMBLED SHRT LNK FR 6mm WIDE TB	100	EA	14.50	B
	CA722/3	3P PRE ASSEMBLED SHRT LNK FR 6mm WIDE TB	100	EA	21.60	B
	CA722/4	1P PRE ASSEMBLED SHRT LNK FR 6mm WIDE TB	100	EA	28.80	B
	CA722/10	10P PRE ASSEM SHORT LINK FOR 6mm WIDE TB	10	EA	71.90	B
	MC6	MARKER CARD 5.95MM PITCH WITH 72 TAGS	1	PKT	698.00	B
	MC6WP	PRNTD MARKER CARD 5.95MM PITCH 72 TAGS	1	PKT	806.00	B




Wire Range : 0.2 - 4.0 mm²
 Current (A) : 32 A
 Voltage (V) : 1000 V
 Dimensions Width (Thickness) x Length : 6 x 43 mm
 Height with Din 35 x 7.5 mm Rail : 46.2 mm




	Part #	Description	Std. Pack	UOM	List Price in	Group
TERMINAL BLOCK	CTS4UN	4 mm ² FD THRU SCREW CLMP TERMINAL BLOCK	100	EA	12.10	B
	CTS4UNBU	4 mm ² FEED THRU SCREW CLAMP TB BLUE	100	EA	13.30	B
	CTS4UNBK	4 mm ² FEED THRU SCREW CLAMP TB BLACK	100	EA	13.30	B
	CTS4UNR	4 mm ² FEED THRU SCREW CLAMP TB RED	100	EA	13.30	B
	CTS4UNY	4 mm ² FEED THRU SCREW CLAMP TB YELLOW	100	EA	13.30	B
	CTS4UNGN	4 mm ² FEED THRU SCREW CLAMP TB GREEN	100	EA	13.30	B
ACCESSORIES	EP2.5/4UN	END PLATE FOR CTS2.5UN/4UN	50	EA	6.20	B
	PP2.5/4UN	PARTITION PLATE FOR CTS2.5UN/4UN/2.5UE	50	EA	12.30	B
	CA722/2	2P PRE ASSEMBLED SHRT LNK FR 6mm WIDE TB	100	EA	14.50	B
	CA722/3	3P PRE ASSEMBLED SHRT LNK FR 6mm WIDE TB	100	EA	21.60	B
	CA722/4	1P PRE ASSEMBLED SHRT LNK FR 6mm WIDE TB	100	EA	28.80	B
	CA722/10	10P PRE ASSEM SHORT LINK FOR 6mm WIDE TB	10	EA	71.90	B
	MC6	MARKER CARD 5.95MM PITCH WITH 72 TAGS	1	PKT	698.00	B
	MC6WP	PRNTD MARKER CARD 5.95MM PITCH 72 TAGS	1	PKT	806.00	B


CTS SERIES STANDARD SCREW CLAMP TERMINAL BLOCKS




Wire Range : 0.5 - 6.0 mm²
Current (A) : 41 A
Voltage (V) : 1000 V
Dimensions Width (Thickness) x Length : 8 x 43 mm
Height with Din 35 x 7.5 mm Rail : 47.8 mm



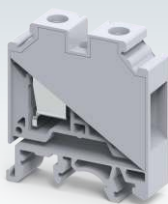
	Part #	Description	Std. Pack	UOM	List Price in	Group
TERMINAL BLOCK	CTS6U	6 mm ² FEED THRU SCREW CLAMP TB	100	EA	17.00	B
	CTS6UBU	6 mm ² FEED THRU SCREW CLAMP TB BLUE	100	EA	18.70	B
	CTS6UBK	6 mm ² FEED THRU SCREW CLAMP TB BLACK	100	EA	18.70	B
	CTS6UR	6 mm ² FEED THRU SCREW CLAMP TB RED	100	EA	18.70	B
	CTS6UY	6 mm ² FEED THRU SCREW CLAMP TB YELLOW	100	EA	18.70	B
	CTS6UGN	6 mm ² FEED THRU SCREW CLAMP TB GREEN	100	EA	18.70	B
ACCESSORIES	EP6/10U	END PLATE FOR CTS6U/10U	50	EA	6.80	B
	PP6/10U	PARTITION PLATE FOR CTS6U/10U	50	EA	15.20	B
	CA723/2	2P PRE ASSEM SHRT LINK FOR 8mm WIDE TB	100	EA	17.70	B
	CA723/3	3P PRE ASSEM SHRT LINK FOR 8mm WIDE TB	50	EA	26.70	B
	CA723/4	4P PRE ASSEM SHRT LINK FOR 8mm WIDE TB	50	EA	35.50	B
	CA723/10	10P PRE ASSEM SHRT LINK FOR 8mm WIDE TB	10	EA	88.40	B
	MC8	MARKER CARD 7.95MM PITCH WITH 48 TAGS	1	PKT	532.00	B
	MC8WP	PRNTD MARKER CARD 7.95MM PITCH 48 TAGS	1	PKT	618.00	B




Wire Range : 0.5 - 10.0 mm²
Current (A) : 57 A
Voltage (V) : 1000 V
Dimensions Width (Thickness) x Length : 10 x 43 mm
Height with Din 35 x 7.5 mm Rail : 47.8 mm



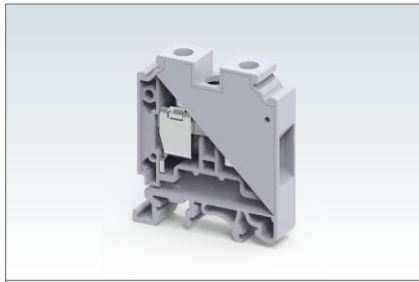
	Part #	Description	Std. Pack	UOM	List Price in	Group
TERMINAL BLOCK	CTS10U	10 mm ² FD THRU SCREW CLMP TERMINAL BLOCK	100	EA	21.60	B
	CTS10UBU	10 mm ² FEED THRU SCREW CLAMP TB BLUE	100	EA	23.80	B
	CTS10UBK	10 mm ² FEED THRU SCREW CLAMP TB BLACK	100	EA	23.80	B
	CTS10UR	10 mm ² FEED THRU SCREW CLAMP TB RED	100	EA	23.80	B
	CTS10UY	10 mm ² FEED THRU SCREW CLAMP TB YELLOW	100	EA	23.80	B
	CTS10UGN	10 mm ² FEED THRU SCREW CLAMP TB GREEN	100	EA	23.80	B
ACCESSORIES	EP6/10U	END PLATE FOR CTS6U/10U	50	EA	6.80	B
	PP6/10U	PARTITION PLATE FOR CTS6U/10U	50	EA	15.20	B
	CA724/2	2P PRE ASSEM SHRT LINK FOR 10mm WIDE TB	100	EA	19.20	B
	CA724/3	3P PRE ASSEM SHRT LINK FOR 10mm WIDE TB	50	EA	28.80	B
	CA724/4	4P PRE ASSEM SHRT LINK FOR 10mm WIDE TB	50	EA	38.50	B
	CA724/10	10P PRE ASSEM SHRT LINK FOR 10mm WIDE TB	10	EA	95.80	B
	MC10	MARKER CARD 9.95MM PITCH WITH 42 TAGS	1	PKT	510.00	B
	MC10WP	PRNTD MARKER CARD 9.95MM PITCH 42 TAGS	1	PKT	592.00	B



Wire Range : 0.2 - 16.0 mm²
Current (A) : 76 A
Voltage (V) : 1000 V
Dimensions Width (Thickness) x Length : 12 x 43 mm
Height with Din 35 x 7.5 mm Rail : 47.8 mm



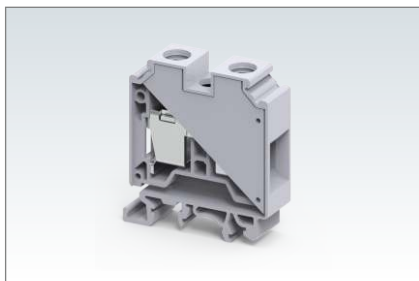
	Part #	Description	Std. Pack	UOM	List Price in	Group
TERMINAL BLOCK	CTS16U	16 mm ² FD THRU SCREW CLMP TERMINAL BLOCK	50	EA	38.30	B
	CTS16UBU	16 mm ² FEED THRU SCREW CLAMP TB BLUE	50	EA	42.10	B
	CTS16UBK	16 mm ² FEED THRU SCREW CLAMP TB BLACK	50	EA	42.10	B
	CTS16UR	16 mm ² FEED THRU SCREW CLAMP TB RED	50	EA	42.10	B
	CTS16UY	16 mm ² FEED THRU SCREW CLAMP TB YELLOW	50	EA	42.10	B
	CTS16UGN	16 mm ² FEED THRU SCREW CLAMP TB GREEN	50	EA	42.10	B
ACCESSORIES	CA751/2	2P PRE ASSEM SHRT LINK FOR 12mm WIDE TB	50	EA	21.10	B
	CA751/3	3P PRE ASSEM SHRT LINK FOR 12mm WIDE TB	50	EA	31.60	B
	CA751/4	4P PRE ASSEM SHRT LINK FOR 12mm WIDE TB	50	EA	42.00	B
	CA751/10	10P PRE ASSEM SHRT LINK FOR 12mm WIDE TB	10	EA	104.80	B
	MC12	MARKER CARD 11.95MM PITCH WITH 36 TAGS	1	PKT	525.00	B
	MC12WP	PRNTD MARKER CARD 11.95MM PITCH 36 TAGS	1	PKT	602.00	B



Wire Range : 4.0 - 25.0 mm²
 Current (A) : 101 A
 Voltage (V) : 1000 V
 Dimensions Width (Thickness) x Length : 12 x 48 mm
 Height with Din 35 x 7.5 mm Rail : 57.2 mm



	Part #	Description	Std. Pack	UOM	List Price in	Group
TERMINAL BLOCK	CTS25UN	25 mm ² FD THRU SCRW CLAMP TERMINAL BLOCK	50	EA	61.20	B
	CTS25UNBU	25 mm ² FEED THRU SCREW CLAMP TB BLUE	50	EA	67.30	B
	CTS25UNBK	25 mm ² FEED THRU SCREW CLAMP TB BLACK	50	EA	67.30	B
	CTS25UNR	25 mm ² FEED THRU SCREW CLAMP TB RED	50	EA	67.30	B
	CTS25UNY	25 mm ² FEED THRU SCREW CLAMP TB YELLOW	50	EA	67.30	B
	CTS25UNGN	25 mm ² FEED THRU SCREW CLAMP TB GREEN	50	EA	67.30	B
ACCESSORIES	PP25UN	PARTITION PLATE FOR CTS25UN	50	EA	16.40	B
	CA725/2	2P PRE ASSEM SHRT LINK FOR 12mm WIDE TB	50	EA	23.40	B
	CA725/3	3P PRE ASSEM SHRT LINK FOR 12mm WIDE TB	20	EA	35.20	B
	CA725/4	4P PRE ASSEM SHRT LINK FOR 12mm WIDE TB	20	EA	46.80	B
	CA725/10	10P PRE ASSEM SHRT LINK FOR 12mm WIDE TB	10	EA	116.70	B
	MC12	MARKER CARD 11.95MM PITCH WITH 36 TAGS	1	PKT	525.00	B
	MC12WP	PRNTD MARKER CARD 11.95MM PITCH 36 TAGS	1	PKT	602.00	B



Wire Range : 4.0 - 35.0 mm²
 Current (A) : 125 A
 Voltage (V) : 1000 V
 Dimensions Width (Thickness) x Length : 16 x 50.5 mm
 Height with Din 35 x 7.5 mm Rail : 59.2 mm



	Part #	Description	Std. Pack	UOM	List Price in	Group
TERMINAL BLOCK	CTS35UN	35 mm ² FD THRU SCREW CLMP TERMINAL BLOCK	50	EA	84.50	B
	CTS35UNBU	35 mm ² FEED THRU SCREW CLAMP TB BLUE	50	EA	93.00	B
	CTS35UNBK	35 mm ² FEED THRU SCREW CLAMP TB BLACK	50	EA	93.00	B
	CTS35UNR	35 mm ² FEED THRU SCREW CLAMP TB RED	50	EA	93.00	B
	CTS35UNY	35 mm ² FEED THRU SCREW CLAMP TB YELLOW	50	EA	93.00	B
	CTS35UNGN	35 mm ² FEED THRU SCREW CLAMP GREEN	50	EA	93.00	B
ACCESSORIES	PP35UN	PARTITION PLATE FOR CTS35UN	50	EA	18.10	B
	CA771/2	2P PRE ASSEM SHRT LINK FR 16mm WIDE TB	50	EA	24.00	B
	CA771/3	3P PRE ASSEM SHRT LINK FR 16mm WIDE TB	20	EA	35.90	B
	CA771/4	4P PRE ASSEM SHRT LINK FR 16mm WIDE TB	20	EA	47.90	B
	CA771/10	10P PRE ASSEM SHRT LNK FR 16mm WIDE TB	10	EA	119.60	B
	MC16	MARKER CARD 15.95MM PITCH WITH 30 TAGS	1	PKT	415.00	B
	MC16WP	PRNTD MARKER CARD 15.95MM PITCH 30 TAGS	1	PKT	485.00	B




Wire Range : 10.0 - 70.0 mm²
 Current (A) : 192 A
 Voltage (V) : 1000 V
 Dimensions Width (Thickness) x Length : 20.5 x 77 mm
 Height with Din 35 x 7.5 mm Rail : 71.1 mm




	Part #	Description	Std. Pack	UOM	List Price in	Group
TERMINAL BLOCK	CTS50/70N	70 mm ² FEED THRU SCREW CLAMP TERMINAL	20	EA	245.90	B
	CTS50/70NBU	70 mm ² FEED THRU SCREW CLAMP TB BLUE	20	EA	270.50	B
	CTS50/70NBK	70 mm ² FEED THRU SCREW CLAMP TB BLACK	20	EA	270.50	B
	CTS50/70NR	70 mm ² FEED THRU SCREW CLAMP TB RED	20	EA	270.50	B
	CTS50/70NY	70 mm ² FEED THRU SCREW CLAMP TB YELLOW	20	EA	270.50	B
	CTS50/70NGN	70 mm ² FEED THRU SCREW CLAMP TB GREEN	20	EA	270.50	B
ACCESSORIES	AUX6	6 mm ² AUX TB FOR CTS50/70N & CTS95/120N	10	EA	47.40	B
	CA628/2	2 POLE SHORTING LNK SET FOR CTS50/70N	10	EA	95.80	B
	CA628/3	3 POLE SHORTING LNK SET FOR CTS50/70N	10	EA	143.70	B
	MC16	MARKER CARD 15.95MM PITCH WITH 30 TAGS	1	PKT	415.00	B
	MC16WP	PRNTD MARKER CARD 15.95MM PITCH 30 TAGS	1	PKT	485.00	B


CTS SERIES STANDARD SCREW CLAMP TERMINAL BLOCKS




Wire Range : 25.0 - 120.0 mm²
 Current (A) : 269 A
 Voltage (V) : 1000 V
 Dimensions Width (Thickness) x Length : 27 x 85 mm
 Height with Din 35 x 7.5 mm Rail : 83 mm




	Part #	Description	Std. Pack	UOM	List Price in	Group
TERMINAL BLOCK	CTS95/120N	120 mm ² FEED THRU SCREW CLAMP TB	10	EA	397.30	B
	CTS95/120NBU	120 mm ² FEED THRU SCREW CLAMP TB BLUE	10	EA	437.00	B
	CTS95/120NBK	120 mm ² FEED THRU SCREW CLAMP TB BLACK	10	EA	437.00	B
	CTS95/120NR	120 mm ² FEED THRU SCREW CLAMP TB RED	10	EA	437.00	B
	CTS95/120NY	120 mm ² FEED THRU SCREW CLAMP TB YELLOW	10	EA	437.00	B
	CTS95/120NGN	120 mm ² FEED THRU SCREW CLAMP TB GREEN	10	EA	437.00	B
ACCESSORIES	AUX6	6 mm ² AUX TB FOR CTS50/70N & CTS95/120N	10	EA	47.40	B
	CA629/2	2 POLE SHORTING LNK SET FOR CTS95/120N	10	EA	125.70	B
	CA629/3	3 POLE SHORTING LNK SET FOR CTS95/120N	10	EA	188.40	B
	MC16	MARKER CARD 15.95MM PITCH WITH 30 TAGS	1	PKT	415.00	B
	MC16WP	PRNTD MARKER CARD 15.95MM PITCH 30 TAGS	1	PKT	485.00	B




Wire Range : 0.2 - 4.0 mm²
 Current (A) : 32 A
 Voltage (V) : 630 V
 Dimensions Width (Thickness) x Length : 6 x 46.5 mm
 Height with Din 35 x 7.5 mm Rail : 49.5 mm



	Part #	Description	Std. Pack	UOM	List Price in	Group
TERMINAL BLOCK	CMC1-2	4 mm ² MULTI CONNECTION 3 WIRE TERMINAL	100	EA	27.40	B
	CMC1-2BU	4 mm ² MULTI CONNECTION 3 WIRE TB BLUE	100	EA	30.10	B
	CMC1-2BK	4 mm ² MULTI CONNECTION 3 WIRE TB BLACK	100	EA	30.10	B
	CMC1-2R	4 mm ² MULTI CONNECTION 3 WIRE TB RED	100	EA	30.10	B
	CMC1-2Y	4 mm ² MULTI CONNECTION 3 WIRE TB YELLOW	100	EA	30.10	B
	CMC1-2GN	4 mm ² MULTI CONNECTION 3 WIRE TB GREEN	100	EA	30.10	B
ACCESSORIES	EPCMC1-2	END PLATE FOR CMC1-2	50	EA	11.90	B
	CA722/2	2P PRE ASSEMBLED SHRT LNK FR 6mm WIDE TB	100	EA	14.50	B
	CA722/3	3P PRE ASSEMBLED SHRT LNK FR 6mm WIDE TB	100	EA	21.60	B
	CA722/4	1P PRE ASSEMBLED SHRT LNK FR 6mm WIDE TB	100	EA	28.80	B
	CA722/10	10P PRE ASSEM SHORT LINK FOR 6mm WIDE TB	10	EA	71.90	B
	MC6	MARKER CARD 5.95MM PITCH WITH 72 TAGS	1	PKT	698.00	B
	MC6WP	PRNTD MARKER CARD 5.95MM PITCH 72 TAGS	1	PKT	806.00	B



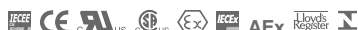
Wire Range : 0.2 - 4.0 mm²
 Current (A) : 32 A
 Voltage (V) : 630 V
 Dimensions Width (Thickness) x Length : 6 x 65 mm
 Height with Din 35 x 7.5 mm Rail : 53.4 mm



	Part #	Description	Std. Pack	UOM	List Price in	Group
TERMINAL BLOCK	CMC2-2	4 mm ² MULTI CONNECTION 4 WIRE TERMINAL	50	EA	38.40	B
	CMC2-2BU	4 mm ² MULTI CONNECTION 4 WIRE TB BLUE	50	EA	42.20	B
	CMC2-2BK	4 mm ² MULTI CONNECTION 4 WIRE TB BLACK	50	EA	42.20	B
	CMC2-2R	4 mm ² MULTI CONNECTION 4 WIRE TB RED	50	EA	42.20	B
	CMC2-2Y	4 mm ² MULTI CONNECTION 4 WIRE TB YELLOW	50	EA	42.20	B
	CMC2-2GN	4 mm ² MULTI CONNECTION 4 WIRE TB GREEN	50	EA	42.20	B
ACCESSORIES	EPCMC2-2	END PLATE FOR CMC2-2	50	EA	16.00	B
	CA722/2	2P PRE ASSEMBLED SHRT LNK FR 6mm WIDE TB	100	EA	14.50	B
	CA722/3	3P PRE ASSEMBLED SHRT LNK FR 6mm WIDE TB	100	EA	21.60	B
	CA722/4	1P PRE ASSEMBLED SHRT LNK FR 6mm WIDE TB	100	EA	28.80	B
	CA722/10	10P PRE ASSEM SHORT LINK FOR 6mm WIDE TB	10	EA	71.90	B
	MC6	MARKER CARD 5.95MM PITCH WITH 72 TAGS	1	PKT	698.00	B
	MC6WP	PRNTD MARKER CARD 5.95MM PITCH 72 TAGS	1	PKT	806.00	B



Wire Range : 0.2 - 4.0 mm²
 Dimensions Width (Thickness) x Length : 6 x 65 mm
 Height with Din 35 x 7.5 mm Rail : 53.7 mm



	Part #	Description	Std. Pack	UOM	List Price in	Group
TERMINAL BLOCK	CMCG4	4 mm ² MULTI CONNECTION 4 WIRE GROUND TB	50	EA	127.30	B
ACCESSORIES	EPCKT4U/4	END PLATE FOR CKT4U/4	50	EA	16.00	B
	MC6	MARKER CARD 5.95MM PITCH WITH 72 TAGS	1	PKT	698.00	B
	MC6WP	PRNTD MARKER CARD 5.95MM PITCH 72 TAGS	1	PKT	806.00	B



Wire Range : 0.2 - 2.5 mm²
 Current (A) : 24 A
 Voltage (V) : 800 V
 Dimensions Width (Thickness) x Length : 5 x 62 mm
 Height with Din 35 x 7.5 mm Rail : 61 mm



	Part #	Description	Std. Pack	UOM	List Price in	Group
TERMINAL BLOCK	ODL2.5A	2.5 mm ² MODULAR OFFSET 2 LVL SW CL TB	50	EA	32.70	B
	ODL2.5	2.5 mm ² OFFSET 2 LVL SW CL TB	50	EA	33.40	B
ACCESSORIES	EPODL2.5	END PLATE FOR ODL2.5	50	EA	15.50	B
	EP1ODL2.5	SPACER PLATE FOR ODL2.5	50	EA	6.20	B
	JX2.5/2	2 POLE SHRT LNK FR 5MM WIDE SP CL TB	100	EA	10.20	A
	JX2.5/3	3 POLE SHRT LNK FR 5MM WIDE SP CL TB	50	EA	17.70	A
	JX2.5/4	4 POLE SHRT LNK FR 5MM WIDE SP CL TB	50	EA	30.30	A
	JX2.5/10	10 POLE SHRT LNK FR 5MM WIDE SP CL TB	10	EA	78.50	A
	MC5	MARKER CARD 4.95MM PITCH WITH 84 TAGS	1	PKT	817.00	B
	MC5WP	PRNTD MARKER CARD 4.95MM PITCH 84 TAGS	1	PKT	946.00	B




Wire Range : 0.2 - 2.5 mm²
 Current (A) : 24 A
 Voltage (V) : 800 V
 Dimensions Width (Thickness) x Length : 5 x 62 mm
 Height with Din 35 x 7.5 mm Rail : 61 mm







	Part #	Description	Std. Pack	UOM	List Price in	Group
TERMINAL BLOCK	ODL2.5A(I.S)	2.5mm ² MODULR OFFSET 2L INT SHRT SWCL TB	50	EA	43.40	B
	ODL2.5(I.S)	2.5mm ² 2 LVL OFFSET INT SHRT SW CL TB	50	EA	46.60	B
ACCESSORIES	EPODL2.5	END PLATE FOR ODL2.5	50	EA	15.50	B
	EP1ODL2.5	SPACER PLATE FOR ODL2.5	50	EA	6.20	B
	JX2.5/2	2 POLE SHRT LNK FR 5MM WIDE SP CL TB	100	EA	10.20	A
	JX2.5/3	3 POLE SHRT LNK FR 5MM WIDE SP CL TB	50	EA	17.70	A
	JX2.5/4	4 POLE SHRT LNK FR 5MM WIDE SP CL TB	50	EA	30.30	A
	JX2.5/10	10 POLE SHRT LNK FR 5MM WIDE SP CL TB	10	EA	78.50	A
	MC5	MARKER CARD 4.95MM PITCH WITH 84 TAGS	1	PKT	817.00	B
	MC5WP	PRNTD MARKER CARD 4.95MM PITCH 84 TAGS	1	PKT	946.00	B


CTS SERIES STANDARD SCREW CLAMP TERMINAL BLOCKS







Wire Range : 0.2 - 2.5 mm²
 Current (A) : 24 A
 Voltage (V) : 800 V
 Dimensions Width (Thickness) x Length : 5 x 62 mm
 Height with Din 35 x 7.5 mm Rail : 61 mm


	Part #	Description	Std. Pack	UOM	List Price in	Group
TERMINAL BLOCK	ODLG2.5A	2.5mm ² MODULAR OFFSET 2 LVL GND SW CL TB	50	EA	114.70	B
	ODLG2.5	2.5mm ² 2 LVL OFFSET GND SW CL TB	50	EA	112.00	B
ACCESSORIES	EPODL2.5	END PLATE FOR ODL2.5	50	EA	15.50	B
	EP1ODL2.5	SPACER PLATE FOR ODL2.5	50	EA	6.20	B
	JX2.5/2	2 POLE SHRT LNK FR 5MM WIDE SP CL TB	100	EA	10.20	A
	JX2.5/3	3 POLE SHRT LNK FR 5MM WIDE SP CL TB	50	EA	17.70	A
	JX2.5/4	4 POLE SHRT LNK FR 5MM WIDE SP CL TB	50	EA	30.30	A
	JX2.5/10	10 POLE SHRT LNK FR 5MM WIDE SP CL TB	10	EA	78.50	A
	MC5	MARKER CARD 4.95MM PITCH WITH 84 TAGS	1	PKT	817.00	B
MC5WP	PRNTD MARKER CARD 4.95MM PITCH 84 TAGS	1	PKT	946.00	B	











Wire Range : 0.2 - 2.5 mm²
 Dimensions Width (Thickness) x Length : 5 x 62 mm
 Height with Din 35 x 7.5 mm Rail : 61 mm

	Part #	Description	Std. Pack	UOM	List Price in	Group
TERMINAL BLOCK	ODLG2.5A(I.S)	2.5mm ² MODULAR OFFSET 2L INT SHRT GND TB	50	EA	126.40	B
	ODLG2.5(I.S)	2.5mm ² OFFSET 2L INT SHRT GND SW CL TB	50	EA	123.50	B
ACCESSORIES	EPODL2.5	END PLATE FOR ODL2.5	50	EA	15.50	B
	EP1ODL2.5	SPACER PLATE FOR ODL2.5	50	EA	6.20	B
	JX2.5/2	2 POLE SHRT LNK FR 5MM WIDE SP CL TB	100	EA	10.20	A
	JX2.5/3	3 POLE SHRT LNK FR 5MM WIDE SP CL TB	50	EA	17.70	A
	JX2.5/4	4 POLE SHRT LNK FR 5MM WIDE SP CL TB	50	EA	30.30	A
	JX2.5/10	10 POLE SHRT LNK FR 5MM WIDE SP CL TB	10	EA	78.50	A
	MC5	MARKER CARD 4.95MM PITCH WITH 84 TAGS	1	PKT	817.00	B
MC5WP	PRNTD MARKER CARD 4.95MM PITCH 84 TAGS	1	PKT	946.00	B	



Wire Range : 0.2 - 4.0 mm²
 Current (A) : 32 A
 Voltage (V) : 800 V
 Dimensions Width (Thickness) x Length : 6 x 57 mm
 Height with Din 35 x 7.5 mm Rail : 59.5 mm

	Part #	Description	Std. Pack	UOM	List Price in	Group
TERMINAL BLOCK	CDL4UN	4 mm ² 2 LEVEL SCREW CLAMP TERMINAL BLOCK	100	EA	31.00	B
	CDL4UNBU	4 mm ² 2 LVL SCRW CLMP TERMINAL BLOCK BLU	100	EA	34.10	B
	CDL4UNBK	4 mm ² 2 LVL SCRW CLMP TERMINAL BLOCK BLK	100	EA	34.10	B
	CDL4UNR	4 mm ² 2 LVL SCRW CLMP TERMINAL BLOCK RED	100	EA	34.10	B
	CDL4UNY	4 mm ² 2 LVL SCRW CLMP TERMINAL BLOCK YLW	100	EA	34.10	B
	CDL4UNGN	4 mm ² 2 LVL SCRW CLMP TERMINAL BLOCK GRN	100	EA	34.10	B
ACCESSORIES	EPCDL4UN	END PLATE FOR CDL4UN	50	EA	11.60	B
	CA722/2	2P PRE ASSEMBLED SHRT LNK FR 6mm WIDE TB	100	EA	14.50	B
	CA722/3	3P PRE ASSEMBLED SHRT LNK FR 6mm WIDE TB	100	EA	21.60	B
	CA722/4	1P PRE ASSEMBLED SHRT LNK FR 6mm WIDE TB	100	EA	28.80	B
	CA722/10	10P PRE ASSEM SHORT LINK FOR 6mm WIDE TB	10	EA	71.90	B
	MC6	MARKER CARD 5.95MM PITCH WITH 72 TAGS	1	PKT	698.00	B
	MC6WP	PRNTD MARKER CARD 5.95MM PITCH 72 TAGS	1	PKT	806.00	B



Wire Range : 0.2 - 4.0 mm²
 Current (A) : 32 A
 Voltage (V) : 800 V
 Dimensions Width (Thickness) x Length : 6 x 68 mm
 Height with Din 35 x 7.5 mm Rail : 65 mm



	Part #	Description	Std. Pack	UOM	List Price in	Group
TERMINAL BLOCK	ODL4U	4 mm ² FEED THRU OFFSET 2 LEVEL SW CL TB	50	EA	34.70	B
	ODL4UBU	4 mm ² FEED THRU OFFSET 2LVL SW CL TB BLU	50	EA	38.20	B
	ODL4UBK	4 mm ² FEED THRU OFFSET 2LVL SW CL TB BLK	50	EA	38.20	B
ACCESSORIES	EPODL4U	END PLATE FOR ODL4U(FS)	50	EA	18.20	B
	EP1ODL4U	END PLATE FOR ODL4U	50	EA	7.30	B
	CA727/2	2P PRE ASSEM SHRT LINK FOR 6mm WIDE TB	100	EA	14.50	B
	CA727/3	3P PRE ASSEM SHRT LINK FOR 6mm WIDE TB	100	EA	21.60	B
	CA727/4	4P PRE ASSEM SHRT LINK FOR 6mm WIDE TB	100	EA	28.80	B
	CA727/10	10P PRE ASSEM SHRT LINK FOR 6mm WIDE TB	10	EA	71.90	B
	MC6	MARKER CARD 5.95MM PITCH WITH 72 TAGS	1	PKT	698.00	B
	MC6WP	PRNTD MARKER CARD 5.95MM PITCH 72 TAGS	1	PKT	806.00	B



Wire Range : 0.2 - 4.0 mm²
 Current (A) : 32 A
 Voltage (V) : 800 V
 Dimensions Width (Thickness) x Length : 6 x 57 mm
 Height with Din 35 x 7.5 mm Rail : 59.5 mm



	Part #	Description	Std. Pack	UOM	List Price in	Group
TERMINAL BLOCK	CDL4UN(I.S)	4 mm ² 2 LEVEL SCREW CLAMP INT SHORTED TB	100	EA	41.90	B
	CDL4UN(I.S)BU	4 mm ² 2 LEVEL SCRW CLMP INT SHRTD TB BLU	100	EA	46.10	B
	CDL4UN(I.S)BK	4 mm ² 2 LEVEL SCRW CLMP INT SHRTD TB BLK	100	EA	46.10	B
	CDL4UN(I.S)R	4 mm ² 2 LEVEL SCRW CLMP INT SHRTD TB RED	100	EA	46.10	B
	CDL4UN(I.S)Y	4 mm ² 2 LEVEL SCRW CLMP INT SHRTD TB YLW	100	EA	46.10	B
	CDL4UN(I.S)GN	4 mm ² 2 LEVEL SCRW CLMP INT SHRTD TB GRN	100	EA	46.10	B
ACCESSORIES	EPCDL4UN	END PLATE FOR CDL4UN	50	EA	11.60	B
	CA722/2	2P PRE ASSEMBLED SHRT LNK FR 6mm WIDE TB	100	EA	14.50	B
	CA722/3	3P PRE ASSEMBLED SHRT LNK FR 6mm WIDE TB	100	EA	21.60	B
	CA722/4	1P PRE ASSEMBLED SHRT LNK FR 6mm WIDE TB	100	EA	28.80	B
	CA722/10	10P PRE ASSEM SHORT LINK FOR 6mm WIDE TB	10	EA	71.90	B
	MC6	MARKER CARD 5.95MM PITCH WITH 72 TAGS	1	PKT	698.00	B
	MC6WP	PRNTD MARKER CARD 5.95MM PITCH 72 TAGS	1	PKT	806.00	B




Wire Range : 0.2 - 4.0 mm²
 Dimensions Width (Thickness) x Length : 6 x 57 mm
 Height with Din 35 x 7.5 mm Rail : 59.5 mm




	Part #	Description	Std. Pack	UOM	List Price in	Group
TERMINAL BLOCK	CDLG4(I.S)	4 mm ² 2 LEVEL SCREW CLAMP GROUND TB	100	EA	133.10	B
ACCESSORIES	EPCDL4UN	END PLATE FOR CDL4UN	50	EA	11.60	B
	CA722/2	2P PRE ASSEMBLED SHRT LNK FR 6mm WIDE TB	100	EA	14.50	B
	CA722/3	3P PRE ASSEMBLED SHRT LNK FR 6mm WIDE TB	100	EA	21.60	B
	CA722/4	1P PRE ASSEMBLED SHRT LNK FR 6mm WIDE TB	100	EA	28.80	B
	CA722/10	10P PRE ASSEM SHORT LINK FOR 6mm WIDE TB	10	EA	71.90	B
	MC6	MARKER CARD 5.95MM PITCH WITH 72 TAGS	1	PKT	698.00	B
	MC6WP	PRNTD MARKER CARD 5.95MM PITCH 72 TAGS	1	PKT	806.00	B

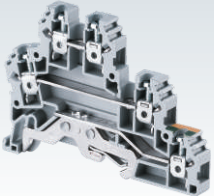
CTS SERIES STANDARD SCREW CLAMP TERMINAL BLOCKS




Wire Range : 0.2 - 4 mm²
Current (A) : 32A
Voltage (V) : 500V
Dimensions Width (Thickness) x Length : 6 x 57 mm
Height with Din 35 x 7.5 mm Rail : 59.5 mm




	Part #	Description	Std. Pack	UOM	List Price in	Group
TERMINAL BLOCK	CDLG4	4 mm ² FEED THRU + GROUND SCREW CLAMP TB	100	EA	119.20	B
ACCESSORIES	EPCDL4UN	END PLATE FOR CDL4UN	50	EA	11.60	B
	CA722/2	2P PRE ASSEMBLED SHRT LNK FR 6mm WIDE TB	100	EA	14.50	B
	CA722/3	3P PRE ASSEMBLED SHRT LNK FR 6mm WIDE TB	100	EA	21.60	B
	CA722/4	1P PRE ASSEMBLED SHRT LNK FR 6mm WIDE TB	100	EA	28.80	B
	CA722/10	10P PRE ASSEM SHORT LINK FOR 6mm WIDE TB	10	EA	71.90	B
	MC6	MARKER CARD 5.95MM PITCH WITH 72 TAGS	1	PKT	698.00	B
	MC6WP	PRNTD MARKER CARD 5.95MM PITCH 72 TAGS	1	PKT	806.00	B




Wire Range : 0.2 - 2.5 mm²
Current (A) : 24 A
Voltage (V) : 500 V
Dimensions Width (Thickness) x Length : 6 x 71.7 mm
Height with Din 35 x 7.5 mm Rail : 52.5 mm



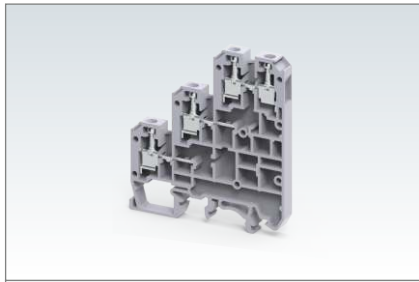
	Part #	Description	Std. Pack	UOM	List Price in	Group
TERMINAL BLOCK	CDLG2.5	2.5 mm ² 2 LEVEL + GROUND SCREW CLAMP TB	20	EA	210.20	B
ACCESSORIES	EPCDLG2.5	END PLATE FOR CDLG2.5	50	EA	21.10	B
	CA627/2	2P PRE ASSEM SHRT LINK FOR 6mm WIDE TB	100	EA	14.50	B
	CA627/3	3P PRE ASSEM SHRT LINK FR 6mm WD TB	100	EA	21.60	B
	CA627/4	4P PRE ASSEM SHRT LINK FOR 6mm WIDE TB	100	EA	28.80	B
	CA627/10	10P PRE ASSEM SHRT LINK FOR 6mm WIDE TB	10	EA	71.90	B
	MC2	MARKER CARD 6.25MM PITCH WITH 72 TAGS	1	PKT	698.00	B
	MC2WP	PRNTD MARKER CARD 6.25MM PITCH 72 TAGS	1	PKT	806.00	B



Wire Range : 0.2 - 2.5 mm²
Current (A) : 24 A
Voltage (V) : 500 V
Dimensions Width (Thickness) x Length : 6 x 84 mm
Height with Din 35 x 7.5 mm Rail : 68 mm



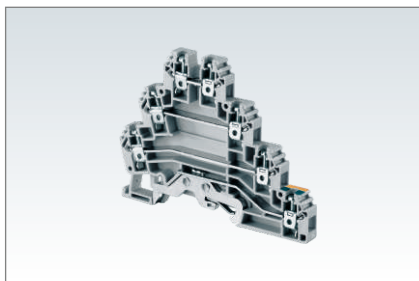
	Part #	Description	Std. Pack	UOM	List Price in	Group
TERMINAL BLOCK	CTL2.5U	2.5 mm ² 3 LEVEL SCRW CLMP TERMINAL BLOCK	50	EA	79.70	B
	CTL2.5UBU	2.5 mm ² 3 LEVEL SCREW CLAMP TB BLUE	50	EA	87.70	B
	CTL2.5UBK	2.5 mm ² 3 LEVEL SCREW CLAMP TB BLACK	50	EA	87.70	B
	CTL2.5UR	2.5 mm ² 3 LEVEL SCREW CLAMP TB RED	50	EA	87.70	B
	CTL2.5UY	2.5 mm ² 3 LEVEL SCREW CLAMP TB YELLOW	50	EA	87.70	B
	CTL2.5UGN	2.5 mm ² 3 LEVEL SCREW CLAMP TB GREEN	50	EA	87.70	B
ACCESSORIES	EPCTL2.5U	END PLATE FOR CTL2.5U	50	EA	16.00	B
	CA722/2	2P PRE ASSEMBLED SHRT LNK FR 6mm WIDE TB	100	EA	14.50	B
	CA722/3	3P PRE ASSEMBLED SHRT LNK FR 6mm WIDE TB	100	EA	21.60	B
	CA722/4	1P PRE ASSEMBLED SHRT LNK FR 6mm WIDE TB	100	EA	28.80	B
	CA722/10	10P PRE ASSEM SHORT LINK FOR 6mm WIDE TB	10	EA	71.90	B
	MC6	MARKER CARD 5.95MM PITCH WITH 72 TAGS	1	PKT	698.00	B
	MC6WP	PRNTD MARKER CARD 5.95MM PITCH 72 TAGS	1	PKT	806.00	B



Wire Range : 0.2 - 2.5 mm²
 Current (A) : 24 A
 Voltage (V) : 500 V
 Dimensions Width (Thickness) x Length : 6 x 61 mm
 Height with Din 35 x 7.5 mm Rail : 68 mm



	Part #	Description	Std. Pack	UOM	List Price in	Group
TERMINAL BLOCK	CTL2.5UH	2.5 mm ² 3 LEVEL 4 WIRE SCREW CLAMP TB	50	EA	47.90	B
ACCESSORIES	EPCTL2.5UH	END PLATE FOR CTL2.5UH	50	EA	11.90	B
	CA722/2	2P PRE ASSEMBLED SHRT LNK FR 6mm WIDE TB	100	EA	14.50	B
	CA722/3	3P PRE ASSEMBLED SHRT LNK FR 6mm WIDE TB	100	EA	21.60	B
	CA722/4	1P PRE ASSEMBLED SHRT LNK FR 6mm WIDE TB	100	EA	28.80	B
	CA722/10	10P PRE ASSEM SHORT LINK FOR 6mm WIDE TB	10	EA	71.90	B
	MC2	MARKER CARD 6.25MM PITCH WITH 72 TAGS	1	PKT	698.00	B
	MC2WP	PRNTD MARKER CARD 6.25MM PITCH 72 TAGS	1	PKT	806.00	B

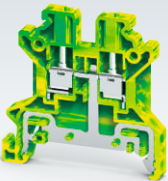


Wire Range : 0.2 - 2.5 mm²
 Current (A) : 24 A
 Voltage (V) : 440 V
 Dimensions Width (Thickness) x Length : 6 x 87.5 mm
 Height with Din 35 x 7.5 mm Rail : 66 mm



	Part #	Description	Std. Pack	UOM	List Price in	Group
TERMINAL BLOCK	CTLG2.5	2.5 mm ² 3 LEVEL + GROUND SCREW CLAMP TB	20	EA	328.40	B
ACCESSORIES	EPCTLG2.5	END PLATE FOR CTLG2.5	50	EA	31.10	B
	CA627/2	2P PRE ASSEM SHRT LINK FOR 6mm WIDE TB	100	EA	14.50	B
	CA627/3	3P PRE ASSEM SHRT LINK FR 6mm WD TB	100	EA	21.60	B
	CA627/4	4P PRE ASSEM SHRT LINK FOR 6mm WIDE TB	100	EA	28.80	B
	CA627/10	10P PRE ASSEM SHRT LINK FOR 6mm WIDE TB	10	EA	71.90	B
	MC2	MARKER CARD 6.25MM PITCH WITH 72 TAGS	1	PKT	698.00	B
	MC2WP	PRNTD MARKER CARD 6.25MM PITCH 72 TAGS	1	PKT	806.00	B

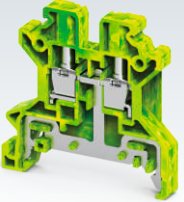
CTS SERIES STANDARD SCREW CLAMP TERMINAL BLOCKS



Wire Range : 0.2 - 2.5 mm²
 Dimensions Width (Thickness) x Length : 5 x 45.7 mm
 Height with Din 35 x 7.5 mm Rail : 45.8 mm

CE


	Part #	Description	Std. Pack	UOM	List Price in	Group
TERMINAL BLOCK	CTSG2.5	2.5MM ² SCR CLM GROUND TB FR DIN35/7.5&15	50	EA	70.40	B
ACCESSORIES	MC5	MARKER CARD 4.95MM PITCH WITH 84 TAGS	1	PKT	817.00	B
	MC5WP	PRNTD MARKER CARD 4.95MM PITCH 84 TAGS	1	PKT	946.00	B



Wire Range : 0.2 - 4 mm²
 Dimensions Width (Thickness) x Length : 6 x 45.7 mm
 Height with Din 35 x 7.5 mm Rail : 45.8 mm

CE

	Part #	Description	Std. Pack	UOM	List Price in	Group
TERMINAL BLOCK	CTSG4	4MM ² SCR CLM GROUND TB FR DIN35/7.5&15	50	EA	71.5	B
ACCESSORIES	MC6	MARKER CARD 5.95MM PITCH WITH 72 TAGS	1	PKT	698.00	B
	MC6WP	PRNTD MARKER CARD 5.95MM PITCH 72 TAGS	1	PKT	806.00	B



Wire Range : 0.2 - 6 mm²
 Dimensions Width (Thickness) x Length : 8 x 54.5 mm
 Height with Din 35 x 7.5 mm Rail : 48.2 mm

CE, UL, cUL, VDE, Ex, IECEx, AEx, Lloyd's Register

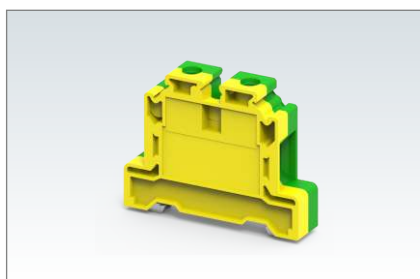
	Part #	Description	Std. Pack	UOM	List Price in	Group
TERMINAL BLOCK	CGT6N	6 mm ² SCREW CLAMP GROUND TERMINAL BLOCK	50	EA	91.20	B
ACCESSORIES	MC8	MARKER CARD 7.95MM PITCH WITH 48 TAGS	1	PKT	532.00	B
	MC8WP	PRNTD MARKER CARD 7.95MM PITCH 48 TAGS	1	PKT	618.00	B



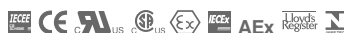
Wire Range : 0.2 - 10 mm²
 Dimensions Width (Thickness) x Length : 10 x 55 mm
 Height with Din 35 x 7.5 mm Rail : 48.5 mm



	Part #	Description	Std. Pack	UOM	List Price in	Group
TERMINAL BLOCK	CGT10N	10 mm ² SCREW CLAMP GROUND TERMINAL BLOCK	50	EA	106.50	B
ACCESSORIES	MC10	MARKER CARD 9.95MM PITCH WITH 42 TAGS	1	PKT	510.00	B
	MC10WP	PRNTD MARKER CARD 9.95MM PITCH 42 TAGS	1	PKT	592.00	B



Wire Range : 0.2 - 16 mm²
 Dimensions Width (Thickness) x Length : 12 x 55 mm
 Height with Din 35 x 7.5 mm Rail : 48.5 mm



	Part #	Description	Std. Pack	UOM	List Price in	Group
TERMINAL BLOCK	CGT16N	16 mm ² SCREW CLAMP GROUND TERMINAL BLOCK	50	EA	126.40	B
ACCESSORIES	MC12	MARKER CARD 11.95MM PITCH WITH 36 TAGS	1	PKT	525.00	B
	MC12WP	PRNTD MARKER CARD 11.95MM PITCH 36 TAGS	1	PKT	602.00	B




Wire Range : 2.5 - 35 mm²
 Dimensions Width (Thickness) x Length : 16 x 58 mm
 Height with Din 35 x 7.5 mm Rail : 63.2 mm











	Part #	Description	Std. Pack	UOM	List Price in	Group
TERMINAL BLOCK	CGT35U	35 mm ² SW CL GROUND TB FR DIN 32/35 RAIL	20	EA	272.90	B
ACCESSORIES	MC16	MARKER CARD 15.95MM PITCH WITH 30 TAGS	1	PKT	415.00	B
	MC16WP	PRNTD MARKER CARD 15.95MM PITCH 30 TAGS	1	PKT	485.00	B

CTS SERIES STANDARD SCREW CLAMP TERMINAL BLOCKS



Wire Range : 10 - 70 mm²
Dimensions Width (Thickness) x Length : 20 x 77 mm
Height with Din 35/7.5 mm Rail : 71.1 mm

	Part #	Description	Std. Pack	UOM	List Price in	Group
TERMINAL BLOCK	CGT50/70N	70 mm ² SCREW CLAMP GROUND TERMINAL BLK	20	EA	658.80	B
ACCESSORIES	MC16	MARKER CARD 15.95MM PITCH WITH 30 TAGS	1	PKT	415.00	B
	MC16WP	PRNTD MARKER CARD 15.95MM PITCH 30 TAGS	1	PKT	485.00	B



Wire Range : 0.2 - 4 mm²
Dimensions Width (Thickness) x Length : 6 x 27 mm
Height with Din 15 mm Rail : 30.7 mm









	Part #	Description	Std. Pack	UOM	List Price in	Group
TERMINAL BLOCK	CGMT4	4 mm ² SCREW CLMP GROUND TB FR DIN15 RAIL	100	EA	53.20	B
ACCESSORIES	MC2	MARKER CARD 6.25MM PITCH WITH 72 TAGS	1	PKT	698.0	B
	MC2WP	PRNTD MARKER CARD 6.25MM PITCH 72 TAGS	1	PKT	806.0	B



Wire Range : 10mm²
Dimensions Width (Thickness) x Length : 7.5 x 23.3 mm







	Part #	Description	Std. Pack	UOM	List Price in	Group
TERMINAL BLOCK	CENC4	4mm ² NEUTRAL/EARTH CLAMP GREEN	50	EA	14.30	B
	CENC4BU	4mm ² NEUTRAL/EARTH CLAMP BLUE	50	EA	15.70	B
	CENC4BK	4mm ² NEUTRAL/EARTH CLAMP BLACK	50	EA	15.70	B
	CENC4R	4mm ² NEUTRAL/EARTH CLAMP RED	50	EA	15.70	B
	CENC4Y	4mm ² NEUTRAL/EARTH CLAMP YELLOW	50	EA	15.70	B
	CENC4G	4mm ² NEUTRAL/EARTH CLAMP GRY	50	EA	15.70	B
ACCESSORIES	NEB6	COPPER BUS BAR 6X6mm 1METER LONG	10	EA	1092.60	A
	NEB10	COPPER BUS BAR 10X3mm 1METER LONG	10	EA	1092.60	A
	NES	PLASTIC SUPPORT FOR NEB	50	EA	13.00	B
	MC5	MARKER CARD 4.95MM PITCH WITH 84 TAGS	1	PKT	817.00	B
	MC5WP	PRNTD MARKER CARD 4.95MM PITCH 84 TAGS	1	PKT	946.00	B



Wire Range : 10 - 16 mm²
 Dimensions Width
 (Thickness) x Length : 9.8 x 23.3 mm



	Part #	Description	Std. Pack	UOM	List Price in	Group
TERMINAL BLOCK	CENC16	16mm ² NEUTRAL/EARTH CLAMP GREEN	50	EA	18.90	B
	CENC16BU	16mm ² NEUTRAL/EARTH CLAMP BLUE	50	EA	20.80	B
	CENC16BK	16mm ² NEUTRAL/EARTH CLAMP BLACK	50	EA	20.80	B
	CENC16R	16mm ² NEUTRAL/EARTH CLAMP RED	50	EA	20.80	B
	CENC16Y	16mm ² NEUTRAL/EARTH CLAMP YELLOW	50	EA	20.80	B
	CENC16G	16.0 SQ NEUTRAL/EARTH CLAMP GRY	50	EA	20.80	B
ACCESSORIES	NEB6	COPPER BUS BAR 6X6mm 1METER LONG	10	EA	1092.60	A
	NEB10	COPPER BUS BAR 10X3mm 1METER LONG	10	EA	1092.60	A
	NES	PLASTIC SUPPORT FOR NEB	50	EA	13.00	B
	MC5	MARKER CARD 4.95MM PITCH WITH 84 TAGS	1	PKT	817.00	B
	MC5WP	PRNTD MARKER CARD 4.95MM PITCH 84 TAGS	1	PKT	946.00	B



Wire Range : 10 - 35 mm²
 Dimensions Width
 (Thickness) x Length : 14.5 x 27.3 mm



	Part #	Description	Std. Pack	UOM	List Price in	Group
TERMINAL BLOCK	CENC35	35mm ² NEUTRAL/EARTH CLAMP GREEN	50	EA	33.80	B
	CENC35BU	35mm ² NEUTRAL/EARTH CLAMP BLUE	50	EA	37.3	B
	CENC35BK	35mm ² NEUTRAL/EARTH CLAMP BLACK	50	EA	37.3	B
	CENC35Y	35mm ² NEUTRAL/EARTH CLAMP YELLOW	50	EA	37.3	B
	CENC35G	35mm ² NEUTRAL/EARTH CLAMP GREY	50	EA	37.3	B
ACCESSORIES	NEB6	COPPER BUS BAR 6X6mm 1METER LONG	10	EA	1092.60	A
	NEB10	COPPER BUS BAR 10X3mm 1METER LONG	10	EA	1092.60	A
	NES	PLASTIC SUPPORT FOR NEB	50	EA	13.00	B
	MC5	MARKER CARD 4.95MM PITCH WITH 84 TAGS	1	PKT	817.00	B
	MC5WP	PRNTD MARKER CARD 4.95MM PITCH 84 TAGS	1	PKT	946.00	B

CTS SERIES STANDARD SCREW CLAMP TERMINAL BLOCKS



Wire Range : 0.2 - 4.0 mm²
 Current (A) : 6.3 A
 Voltage (V) : 800 V
 Dimensions Width
 (Thickness) x Length : 8 x 57 mm
 Height with
 Din 35 x 7.5 mm Rail : 50.3 mm



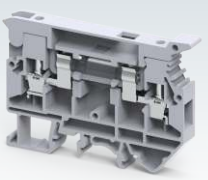
	Part #	Description	Std. Pack	UOM	List Price in	Group
TERMINAL BLOCK	CF4U	4mm ² Ø5X20mm FUSE SCREW CLAMP TERMINAL	100	EA	43.10	B
	CF4UBU	4mm ² Ø5X20mm SCREW CLAMP FUSE TB BLUE	100	EA	47.40	B
	CF4UBK	4mm ² Ø5X20mm SCREW CLAMP FUSE TB BLACK	100	EA	47.40	B
ACCESSORIES	MC8	MARKER CARD 7.95MM PITCH WITH 48 TAGS	1	PKT	532.00	B
	MC8WP	PRNTD MARKER CARD 7.95MM PITCH 48 TAGS	1	PKT	618.00	B
	MC6	MARKER CARD 5.95MM PITCH WITH 72 TAGS	1	PKT	698.00	B
	MC6WP	PRNTD MARKER CARD 5.95MM PITCH 72 TAGS	1	PKT	806.00	B




Wire Range : 0.2 - 4.0 mm²
 Current (A) : 10 A
 Voltage (V) : 1000 V
 Dimensions Width
 (Thickness) x Length : 6 x 58.5 mm
 Height with
 Din 35 x 7.5 mm Rail : 70 mm



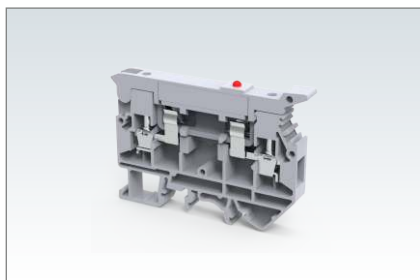
	Part #	Description	Std. Pack	UOM	List Price in	Group
TERMINAL BLOCK	CF4UL6-60V	4mm ² Ø5X20mm SCREW CLAMP FUSE TB 6-60V	100	EA	64.70	B
	CF4UL6-60VBK	4mm ² Ø5X20mm SCREW CL FUSE TB 6-60V BLK	100	EA	71.20	B
	CF4UL6-60VBU	4mm ² Ø5X20mm SCREW CL FUSE TB 6-60V BLU	100	EA	71.20	B
	CF4UL110-240V	4mm ² Ø5X20mm SW CL FUSE TB 110-240V	100	EA	64.70	B
	CF4UL110-240VBK	SL 4.0 SQ PA (W/O FUSE) CLSD TB BLK(LED)	100	EA	71.20	B
	CF4UL110-240VBU	4mm ² Ø5X20mm SW CL FUSE TB 110-240V BLU	100	EA	71.20	B
	CF4UL440V5.0	4mm ² Ø5X20mm 5mA SW CL FUSE TB 440V	100	EA	72.10	B
ACCESSORIES	MC8	MARKER CARD 7.95MM PITCH WITH 48 TAGS	1	PKT	532.00	B
	MC8WP	PRNTD MARKER CARD 7.95MM PITCH 48 TAGS	1	PKT	618.00	B
	MC6	MARKER CARD 5.95MM PITCH WITH 72 TAGS	1	PKT	698.00	B
	MC6WP	PRNTD MARKER CARD 5.95MM PITCH 72 TAGS	1	PKT	806.00	B



Wire Range : 0.2 - 4.0 mm²
 Current (A) : 6.3 A
 Voltage (V) : 1000 V
 Dimensions Width
 (Thickness) x Length : 9 x 76 mm
 Height with
 Din 35 x 7.5 mm Rail : 55.3 mm



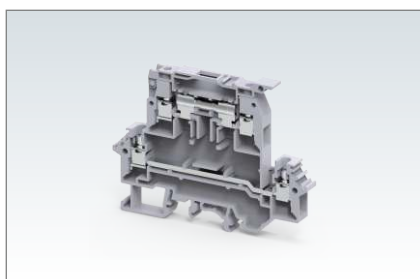
	Part #	Description	Std. Pack	UOM	List Price in	Group
TERMINAL BLOCK	CAFL4U	4mm ² Ø6X32mm 6.3A FUSE SCRW CL TERMINAL	25	EA	86.20	B
	CAFL4UW/F	4mm ² Ø6X32mm FUSE SCREW CLAMP TERMINAL	25	EA	77.50	B
ACCESSORIES	EPCAFL4U	END PLATE FOR CAFL4U	50	EA	12.70	B
	MC9	AUD-MARKER CARD 9 MM PITCH WITH 42 TAGS	1	PKT	510.00	B
	MC9WP	AUD-PRNTD MARKER CARD 9 MM PITCH 42 TAGS	1	PKT	592.00	B



Wire Range : 0.2 - 4.0 mm²
 Current (A) : 6.3 A / 32 A
 Voltage (V) : 800 V
 Dimensions Width
 (Thickness) x Length : 8 x 88 mm
 Height with
 Din 35 x 7.5 mm Rail : 67.4 mm



	Part #	Description	Std. Pack	UOM	List Price in	Group
TERMINAL BLOCK	CAFL4UL110V	4mm ² Ø6X32mm 6.3A FUSE SCRW CLMP TB 110V	25	EA	112.00	B
	CAFL4UL110VW/F	4mm ² Ø6X32mm FUSE SCREW CLAMP TB 110V	25	EA	112.20	B
	CAFL4UL220V	4mm ² Ø6X32mm 6.3A FUSE SCRW CLMP TB 220V	25	EA	112.20	B
	CAFL4UL220VW/F	4mm ² Ø6X32mm FUSE SCREW CLAMP TB 220V	25	EA	112.20	B
	CAFL4UL24V	4mm ² Ø6X32mm 6.3A FUSE SCRW CLMP TB 24V	25	EA	112.00	B
	CAFL4UL24VW/F	4mm ² Ø6X32mm FUSE SCREW CLAMP TB 24V	25	EA	112.20	B
	CAFL4UL440V	4mm ² Ø6X32mm 6.3A FUSE SCRW CLMP TB 440V	25	EA	112.20	B
	CAFL4UL48V	4mm ² Ø6X32mm 6.3A FUSE SCRW CLMP TB 48V	25	EA	112.00	B
ACCESSORIES	EPCAFL4U	END PLATE FOR CAFL4U	50	EA	12.70	B
	MC9	AUD-MARKER CARD 9 MM PITCH WITH 42 TAGS	1	PKT	510.00	B
	MC9WP	AUD-PRNTD MARKER CARD 9 MM PITCH 42 TAGS	1	PKT	592.00	B

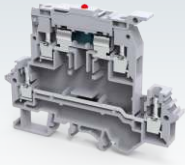


Wire Range : 0.2 - 4.0 mm²
 Current (A) : 6.3 A / 32 A
 Voltage (V) : 800 V
 Dimensions Width
 (Thickness) x Length : 8 x 88 mm
 Height with
 Din 35 x 7.5 mm Rail : 67.4 mm











	Part #	Description	Std. Pack	UOM	List Price in	Group
TERMINAL BLOCK	DDFL4U	4 mm ² 2 LEVEL Ø5X20mm 6.3A SW CL FUSE TB	20	EA	101.10	B
	DDFL4UBU	4 mm ² 2 LVL Ø5X20mm 6.3A SW CL FUSE BLU	20	EA	111.20	B
	DDFL4UBK	4 mm ² 2 LVL Ø5X20mm 6.3A SW CL FUSE BLK	20	EA	111.20	B
	DDFL4UW/F	4 mm ² 2 LEVEL Ø5X20mm SCREW CL FUSE TB	20	EA	91.00	B
ACCESSORIES	EPDDL4U	END PLATE FOR DDFL4U	50	EA	16.10	B
	MC8	MARKER CARD 7.95MM PITCH WITH 48 TAGS	1	PKT	532.00	B
	MC8WP	PRNTD MARKER CARD 7.95MM PITCH 48 TAGS	1	PKT	618.00	B
	MC2	MARKER CARD 6.25MM PITCH WITH 72 TAGS	1	PKT	698.00	B
	MC2WP	PRNTD MARKER CARD 6.25MM PITCH 72 TAGS	1	PKT	806.00	B

CTS SERIES STANDARD SCREW CLAMP TERMINAL BLOCKS




Wire Range : 0.2 - 4.0 mm²
 Current (A) : 6.3 A / 32 A
 Voltage (V) : 800 V
 Dimensions Width
 (Thickness) x Length : 8 x 88 mm
 Height with
 Din 35 x 7.5 mm Rail : 67.4 mm













Part #	Description	Std. Pack	UOM	List Price in	Group	
TERMINAL BLOCK	DDFL4UE110-240V	4 mm ² 2 LVL Ø5X20mm 6.3A FUSE 110-240V	20	EA	122.20	B
	DDFL4UE110V	4 mm ² 2 LVL Ø5X20mm 6.3A SW CL FUSE 110V	20	EA	125.20	B
	DDFL4UE110VW/F	4 mm ² 2 LVL Ø5X20mm SCREW CL FUSE 110V	20	EA	119.00	B
	DDFL4UE220V	4 mm ² 2 LVL Ø5X20mm 6.3A SW CL FUSE 220V	20	EA	125.20	B
	DDFL4UE220VW/F	4 mm ² 2 LVL Ø5X20mm SCREW CL FUSE 220V	20	EA	119.00	B
	DDFL4UE24V	4 mm ² 2 LVL Ø5X20mm 6.3A SW CL FUSE 24V	20	EA	125.20	B
	DDFL4UE24VW/F	4 mm ² 2 LVL Ø5X20mm SCREW CL FUSE 24V	20	EA	119.00	B
	DDFL4UE440V	4 mm ² 2 LVL Ø5X20mm 6.3A SWCL FU 440	20	EA	142.60	B
	DDFL4UE48V	4 mm ² 2 LVL Ø5X20mm 6.3A SW CL FUSE 48V	20	EA	125.20	B
	DDFL4UE48VW/F	4 mm ² 2 LVL Ø5X20mm SCREW CL FUSE 48V	20	EA	119.00	B
DDFL4UE6-60V	4 mm ² 2 LVL Ø5X20mm 6.3A SW CL FUS 6-60V	20	EA	122.20	B	
ACCESSORIES	EPDDL4U	END PLATE FOR DDFL4U	50	EA	16.10	B
	MC8	MARKER CARD 7.95MM PITCH WITH 48 TAGS	1	PKT	532.00	B
	MC8WP	PRNTD MARKER CARD 7.95MM PITCH 48 TAGS	1	PKT	618.00	B
	MC2	MARKER CARD 6.25MM PITCH WITH 72 TAGS	1	PKT	698.00	B
	MC2WP	PRNTD MARKER CARD 6.25MM PITCH 72 TAGS	1	PKT	806.00	B




Wire Range : 0.2 - 4.0 mm²
 Current (A) : 28 A
 Voltage (V) : 800 V
 Dimensions Width
 (Thickness) x Length : 6 x 46.3 mm
 Height with
 Din 35 x 7.5 mm Rail : 48.3 mm













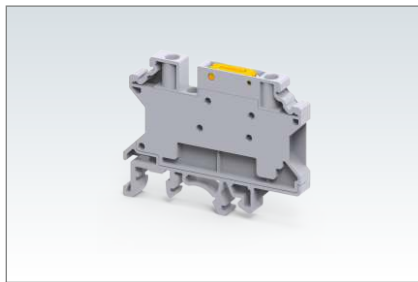
Part #	Description	Std. Pack	UOM	List Price in	Group	
TERMINAL BLOCK	CKT4U	4 mm ² KNIFE DISCON TEST SOCKET SW CL TB	50	EA	41.90	B
	CKT4UBU	4 mm ² KNIFE DISCONNECT SCREW CL TB BLU	50	EA	46.10	B
	CKT4U/S	4 mm ² KNIFE DISCON SLOTTED SCREW CL TB	50	EA	41.10	B
ACCESSORIES	EPCKT4U	END PLATE FOR CKT4U	50	EA	10.50	B
	MC6	MARKER CARD 5.95MM PITCH WITH 72 TAGS	1	PKT	698.00	B
	MC6WP	PRNTD MARKER CARD 5.95MM PITCH 72 TAGS	1	PKT	806.00	B



Wire Range : 0.2 - 4.0 mm²
 Current (A) : 17.5 A
 Voltage (V) : 800 V
 Dimensions Width
 (Thickness) x Length : 6 x 65 mm
 Height with
 Din 35 x 7.5 mm Rail : 54.3 mm

Part #	Description	Std. Pack	UOM	List Price in	Group	
TERMINAL BLOCK	CKT4U/4	4 mm ² 4 WIRE KNIFE DISCON SCREW CL TB	50	EA	77.50	B
ACCESSORIES	EPCKT4U/4	END PLATE FOR CKT4U/4	50	EA	16.00	B
	MC6	MARKER CARD 5.95MM PITCH WITH 72 TAGS	1	PKT	698.00	B
	MC6WP	PRNTD MARKER CARD 5.95MM PITCH 72 TAGS	1	PKT	806.00	B



Wire Range : 0.2 - 4 mm²
 Current (A) : 28 A
 Voltage (V) : 1000 V
 Dimensions Width
 (Thickness) x Length : 6 x 58.5 mm
 Height with
 Din 35 x 7.5 mm Rail : 46 mm



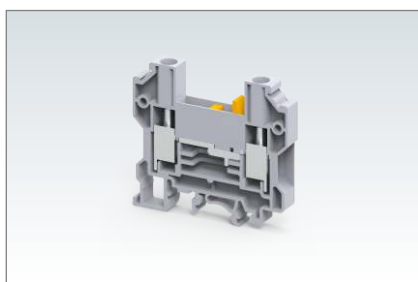
	Part #	Description	Std. Pack	UOM	List Price in	Group
TERMINAL BLOCK	CKT4SP	4 mm ² KNIF DISCON TEST SOCKT SP SW CL TB	50	EA	66.70	B
ACCESSORIES	CA722/2	2P PRE ASSEMBLED SHRT LNK FR 6mm WIDE TB	100	EA	14.50	B
	CA722/3	3P PRE ASSEMBLED SHRT LNK FR 6mm WIDE TB	100	EA	21.60	B
	CA722/4	4P PRE ASSEMBLED SHRT LNK FR 6mm WIDE TB	100	EA	28.80	B
	CA722/10	10P PRE ASSEM SHORT LINK FOR 6mm WIDE TB	10	EA	71.90	B
	MC6	MARKER CARD 5.95MM PITCH WITH 72 TAGS	1	PKT	698.00	B
	MC6WP	PRNTD MARKER CARD 5.95MM PITCH 72 TAGS	1	PKT	806.00	B



Wire Range : 0.5 - 6 mm²
 Current (A) : 41 A
 Voltage (V) : 1000 V
 Dimensions Width
 (Thickness) x Length : 8 x 42.5 mm
 Height with
 Din 35 x 7.5 mm Rail : 51.2 mm



	Part #	Description	Std. Pack	UOM	List Price in	Group
TERMINAL BLOCK	CKT6U	6 mm ² KNIFE DISCON TEST SOCKET SW CL TB	50	EA	78.80	B
ACCESSORIES	EP6/10U	END PLATE FOR CTS6U/10U	50	EA	6.80	B
	MC8	MARKER CARD 7.95MM PITCH WITH 48 TAGS	1	PKT	532.00	B
	MC8WP	PRNTD MARKER CARD 7.95MM PITCH 48 TAGS	1	PKT	618.00	B




Wire Range : 1.5 - 6 mm²
 Current (A) : 41 A
 Voltage (V) : 800 V
 Dimensions Width
 (Thickness) x Length : 8 x 63 mm
 Height with
 Din 35 x 7.5 mm Rail : 58.7 mm









	Part #	Description	Std. Pack	UOM	List Price in	Group
TERMINAL BLOCK	CDTTU	10mm ² SLIDE LINK DISCONNECT SCREW CLMP TB	50	EA	93.40	B
	CDTTUBU	10mm ² SLIDE LINK DISCON SCRW CLMP TB BLU	50	EA	102.70	B
	CDTTUBK	10mm ² SLIDE LINK DISCON SCRW CLMP TB BLK	50	EA	102.70	B
	CDTTUR	10mm ² SLIDE LINK DISCON SCRW CLMP TB RED	50	EA	102.70	B
	CDTTUY	10mm ² SLIDE LINK DISCON SCRW CLMP TB YLW	50	EA	102.70	B
	CDTTUGN	10mm ² SLIDE LINK DISCON SCRW CLMP TB GRN	50	EA	102.70	B
ACCESSORIES	EPCDTTU	END PLATE FOR CDTTU	50	EA	16.10	B
	MC8	MARKER CARD 7.95MM PITCH WITH 48 TAGS	1	PKT	532.00	B
	MC8WP	PRNTD MARKER CARD 7.95MM PITCH 48 TAGS	1	PKT	618.00	B

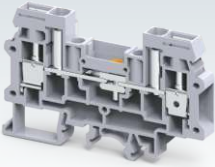
CTS SERIES STANDARD SCREW CLAMP TERMINAL BLOCKS









Wire Range : 1.5 - 6.0 mm²
Current (A) : 10 A
Voltage (V) : 160 V
Dimensions Width (Thickness) x Length : 16 x 63 mm
Height with Din 35 x 7.5 mm Rail : 58.7 mm


	Part #	Description	Std. Pack	UOM	List Price in	Group
TERMINAL BLOCK	CDTTUSH	10 mm ² DISCONNECT SHORTD SCREW CLAMP TB	20	EA	200.10	B
ACCESSORIES	EPCDTTU	END PLATE FOR CDTTU	50	EA	16.10	B
	MC8	MARKER CARD 7.95MM PITCH WITH 48 TAGS	1	PKT	532.00	B
	MC8WP	PRNTD MARKER CARD 7.95MM PITCH 48 TAGS	1	PKT	618.00	B












Wire Range : 0.2 - 6.0 mm²
Current (A) : 41 A
Voltage (V) : 800 V
Dimensions Width (Thickness) x Length : 8 x 82 mm
Height with Din 35 x 7.5 mm Rail : 51 mm

	Part #	Description	Std. Pack	UOM	List Price in	Group
TERMINAL BLOCK	CDS6U	6 mm ² SLIDE LINK DISCONNECT SCRW CLMP TB	50	EA	67.30	B
	CDS6UBU	6 mm ² SLIDE LINK DISCON SCRW CLMP TB BLU	50	EA	74.00	B
	CDS6UBK	6 mm ² SLIDE LINK DISCON SCRW CLMP TB BLK	50	EA	74.00	B
	CDS6UR	6 mm ² SLIDE LINK DISCON SCRW CLMP TB RED	50	EA	74.00	B
	CDS6UY	6 mm ² SLIDE LINK DISCON SCRW CLMP TB YLW	50	EA	74.00	B
	CDS6UGN	6 mm ² SLIDE LINK DISCON SCRW CLMP TB GRN	50	EA	74.00	B
ACCESSORIES	EPCDS6U	END PLATE FOR CDS6U	50	EA	12.70	B
	CA723/2	2P PRE ASSEM SHRT LINK FOR 8mm WIDE TB	100	EA	17.70	B
	CA723/3	3P PRE ASSEM SHRT LINK FOR 8mm WIDE TB	50	EA	26.70	B
	CA723/4	4P PRE ASSEM SHRT LINK FOR 8mm WIDE TB	50	EA	35.50	B
	CA723/10	10P PRE ASSEM SHRT LINK FOR 8mm WIDE TB	10	EA	88.40	B
	MC8	MARKER CARD 7.95MM PITCH WITH 48 TAGS	1	PKT	532.00	B
	MC8WP	PRNTD MARKER CARD 7.95MM PITCH 48 TAGS	1	PKT	618.00	B



Wire Range : 0.2 - 4.0 mm²
Current (A) : 32 A
Voltage (V) : 500 V
Dimensions Width (Thickness) x Length : 6 x 27 mm
Height with Din 15 mm Rail : 30.4 mm

	Part #	Description	Std. Pack	UOM	List Price in	Group
TERMINAL BLOCK	CMT4	4 mm ² SCREW CLAMP TB FOR DIN15 RAIL	100	EA	10.60	B
	CMT4BU	4 mm ² SCREW CLAMP TB FOR DIN15 RAIL BLU	100	EA	11.70	B
	CMT4BK	4 mm ² SCREW CLAMP TB FOR DIN15 RAIL BLK	100	EA	11.70	B
	CMT4R	4 mm ² SCREW CLAMP TB FOR DIN15 RAIL RED	100	EA	11.70	B
	CMT4Y	4 mm ² SCREW CLAMP TB FOR DIN15 RAIL YLW	100	EA	11.70	B
	CMT4GN	4 mm ² SCREW CLAMP TB FOR DIN15 RAIL GRN	100	EA	11.70	B
ACCESSORIES	EPCMT4	END PLATE FOR CMT4	50	EA	6.50	B
	PPCMT4	PARTITION PLATE FOR CMT4	50	EA	8.30	B
	CA727/2	2P PRE ASSEM SHRT LINK FOR 6mm WIDE TB	100	EA	14.50	B
	CA727/3	3P PRE ASSEM SHRT LINK FOR 6mm WIDE TB	100	EA	21.60	B
	CA727/4	4P PRE ASSEM SHRT LINK FOR 6mm WIDE TB	100	EA	28.80	B
	CA727/10	10P PRE ASSEM SHRT LINK FOR 6mm WIDE TB	10	EA	71.90	B
	MC2	MARKER CARD 6.25MM PITCH WITH 72 TAGS	1	PKT	698.00	B
	MC2WP	PRNTD MARKER CARD 6.25MM PITCH 72 TAGS	1	PKT	806.00	B




Wire Range : 0.2 - 10 mm²
 Current (A) : 57 A
 Voltage (V) : 500 V
 Dimensions Width (Thickness) x Length : 10 x 33.5 mm
 Height : 36 mm

















	Part #	Description	Std. Pack	UOM	List Price in	Group
TERMINAL BLOCK	CMT10	10 MM ² SCREW CLAMP TB FOR DIN15 RAIL	100	EA	41.70	B
ACCESSORIES	EPCMT10	END PLATE FOR CMT10	50	EA	8.50	B
	JY10/2	2 POLE INSULATED SHORTING LINK FOR CY10	20	EA	38.30	B
	CA602	POLYAMIDE SCREW END CLAMP FOR DIN15	50	EA	8.10	B
	MC10	MARKER CARD 9.95MM PITCH WITH 42 TAGS	1	PKT	510.00	B
	MC10WP	PRNTD MARKER CARD 9.95MM PITCH 42 TAGS	1	PKT	592.00	B






Wire Range : 0.2 - 4 mm²
 Current (A) : 32 A
 Voltage (V) : 500 V
 Dimensions Width (Thickness) x Length : 6 x 27 mm
 Height with Din 35 x 7.5 mm Rail : 28.5 mm

	Part #	Description	Std. Pack	UOM	List Price in	Group
TERMINAL BLOCK	CMB4	4 mm ² PANEL MOUNT SCREW CLAMP TERMINAL	100	EA	13.10	B
	CMB4BU	4 mm ² PANEL MOUNT SCREW CLAMP TB BLUE	100	EA	14.40	B
	CMB4BK	4 mm ² PANEL MOUNT SCREW CLAMP TB BLACK	100	EA	14.40	B
	CMB4R	4 mm ² PANEL MOUNT SCREW CLAMP TB RED	100	EA	14.40	B
	CMB4Y	4 mm ² PANEL MOUNT SCREW CLAMP TB YELLOW	100	EA	14.40	B
	CMB4GN	4 mm ² PANEL MOUNT SCREW CLAMP TB GREEN	100	EA	14.40	B
ACCESSORIES	EPCMB4	END PLATE FOR CMB4	50	EA	7.60	B
	CA727/2	2P PRE ASSEM SHRT LINK FOR 6mm WIDE TB	100	EA	14.50	B
	CA727/3	3P PRE ASSEM SHRT LINK FOR 6mm WIDE TB	100	EA	21.60	B
	CA727/4	4P PRE ASSEM SHRT LINK FOR 6mm WIDE TB	100	EA	28.80	B
	CA727/10	10P PRE ASSEM SHRT LINK FOR 6mm WIDE TB	10	EA	71.90	B
	MC2	MARKER CARD 6.25MM PITCH WITH 72 TAGS	1	PKT	698.00	B
	MC2WP	PRNTD MARKER CARD 6.25MM PITCH 72 TAGS	1	PKT	806.00	B




Wire Range : 0.2 - 2.5 mm²
 Current (A) : 10 A
 Voltage (V) : 1000 V
 Dimensions Width (Thickness) x Length : 10 x 43 mm
 Height with Din 35 x 7.5 mm Rail : 46.2 mm






	Part #	Description	Std. Pack	UOM	List Price in	Group
TERMINAL BLOCK	CTT2.5UE	2.5 mm ² E-TYPE THERMOCOUPLE TERMINAL	50	EA	113.30	A
	CTT2.5UJ	2.5 mm ² J-TYPE THERMOCOUPLE TERMINAL	50	EA	113.30	A
	CTT2.5UK	2.5 mm ² K-TYPE THERMOCOUPLE TERMINAL	50	EA	113.30	A
	CTT2.5UT	2.5 mm ² T-TYPE THERMOCOUPLE TERMINAL	50	EA	113.30	A
ACCESSORIES	EP2.5/4UN	END PLATE FOR CTS2.5UN/4UN	50	EA	6.20	B
	PP2.5/4UN	PARTITION PLATE FOR CTS2.5UN/4UN/2.5UE	50	EA	12.30	B
	MC5	MARKER CARD 4.95MM PITCH WITH 84 TAGS	1	PKT	817.00	B
	MC5WP	PRNTD MARKER CARD 4.95MM PITCH 84 TAGS	1	PKT	946.00	B

CTS SERIES STANDARD SCREW CLAMP TERMINAL BLOCKS



Wire Range : 0.2 - 2.5 mm²
 Current (A) : 24A
 Voltage (V) : 1000V
 Dimensions Width
 (Thickness) x Length : 5 x 50 mm
 Height with
 Din 35 x 7.5 mm Rail : 49 mm




	Part #	Description	Std. Pack	UOM	List Price in	Group
TERMINAL BLOCK	CY2.5	2.5 mm ² FEED THRU SCREW CLAMP TERMINAL	100	EA	12.00	A
	CY2.5BU	2.5 mm ² FEED THRU SCREW CLAMP TB BLU	100	EA	13.20	A
ACCESSORIES	EPCY2.5/10	END PLATE FOR CY2.5/4/6/10 CYG2.5/4/6/10	50	EA	7.70	A
	JX2.5/2	2 POLE SHRT LNK FR 5MM WIDE SP CL TB	100	EA	10.20	A
	JX2.5/3	3 POLE SHRT LNK FR 5MM WIDE SP CL TB	50	EA	17.70	A
	JX2.5/4	4 POLE SHRT LNK FR 5MM WIDE SP CL TB	50	EA	30.30	A
	JX2.5/10	10 POLE SHRT LNK FR 5MM WIDE SP CL TB	10	EA	78.50	A
	MC5	MARKER CARD 4.95MM PITCH WITH 84 TAGS	1	PKT	817.00	B
	MC5WP	PRNTD MARKER CARD 4.95MM PITCH 84 TAGS	1	PKT	946.00	B




Wire Range : 0.2 - 4 mm²
 Current (A) : 32A
 Voltage (V) : 1000V
 Dimensions Width
 (Thickness) x Length : 6 x 50 mm
 Height with
 Din 35 x 7.5 mm Rail : 49 mm



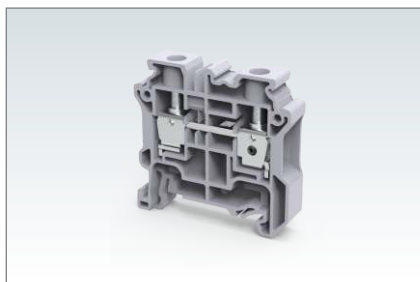
	Part #	Description	Std. Pack	UOM	List Price in	Group
TERMINAL BLOCK	CY4	4 mm ² FEED THRU SCREW CLAMP TERMINAL	100	EA	14.50	A
	CY4BU	4 mm ² FEED THRU SCREW CLAMP TB BLU	100	EA	16.00	A
ACCESSORIES	EPCY2.5/10	END PLATE FOR CY2.5/4/6/10 CYG2.5/4/6/10	50	EA	7.70	A
	JX4/2	2 POLE SHRT LNK FR 6MM WIDE SP CL TB	100	EA	17.40	A
	JX4/3	3 POLE SHRT LNK FR 6MM WIDE SP CL TB	50	EA	29.90	A
	JX4/4	4 POLE SHRT LNK FR 6MM WIDE SP CL TB	50	EA	44.90	A
	JX4/10	10 POLE SHRT LNK FR 6MM WIDE SP CL TB	10	EA	104.80	A
	MC6	MARKER CARD 5.95MM PITCH WITH 72 TAGS	1	PKT	698.00	B
	MC6WP	PRNTD MARKER CARD 5.95MM PITCH 72 TAGS	1	PKT	806.00	B



Wire Range : 0.2 - 6 mm²
 Current (A) : 41A
 Voltage (V) : 1000V
 Dimensions Width
 (Thickness) x Length : 8 x 50 mm
 Height with
 Din 35 x 7.5 mm Rail : 49 mm



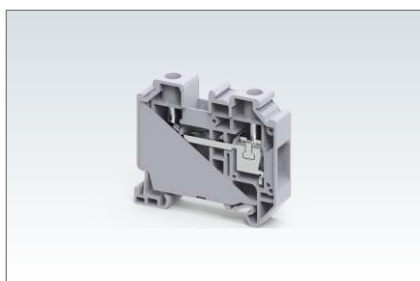
	Part #	Description	Std. Pack	UOM	List Price in	Group
TERMINAL BLOCK	CY6	6 mm ² FEED THRU SCREW CLAMP TERMINAL	100	EA	19.40	A
	CY6BU	6 mm ² FEED THRU SCREW CLAMP TB BLU	100	EA	21.30	A
ACCESSORIES	EPCY2.5/10	END PLATE FOR CY2.5/4/6/10 CYG2.5/4/6/10	50	EA	7.70	A
	JY6/2	2 POLE INSULATED SHORTING LINK FOR CY6	100	EA	26.30	A
	MC8	MARKER CARD 7.95MM PITCH WITH 48 TAGS	1	PKT	532.00	B
	MC8WP	PRNTD MARKER CARD 7.95MM PITCH 48 TAGS	1	PKT	618.00	B



Wire Range : 0.2 - 10.0 mm²
 Current (A) : 57 A
 Voltage (V) : 1000 V
 Dimensions Width
 (Thickness) x Length : 10 x 50 mm
 Height with
 Din 35 x 7.5 mm Rail : 49 mm



	Part #	Description	Std. Pack	UOM	List Price in	Group
TERMINAL BLOCK	CY10	10 mm ² FEED THRU SCREW CLAMP TERMINAL	50	EA	24.40	A
	CY10BU	10 mm ² FEED THRU SCREW CLAMP TB BLU	50	EA	26.80	A
ACCESSORIES	EPCY2.5/10	END PLATE FOR CY2.5/4/6/10 CYG2.5/4/6/10	50	EA	7.70	A
	JY10/2	2 POLE INSULATED SHORTING LINK FOR CY10	20	EA	38.30	A
	MC10	MARKER CARD 9.95MM PITCH WITH 42 TAGS	1	PKT	510.00	B
	MC10WP	PRNTD MARKER CARD 9.95MM PITCH 42 TAGS	1	PKT	592.00	B




Wire Range : 1.5 - 16.0 mm²
 Current (A) : 76 A
 Voltage (V) : 1000 V
 Dimensions Width
 (Thickness) x Length : 12 x 58.9 mm
 Height with
 Din 35 x 7.5 mm Rail : 50.8 mm





	Part #	Description	Std. Pack	UOM	List Price in	Group
TERMINAL BLOCK	CY16	16 SQ.MM FEED THROUGH TERMINAL BLOCK	50	EA	47.30	A
	CY16BU	16 SQ.MM FEED THROUGH TERMINAL BLOCK BLU	50	EA	52.00	A
ACCESSORIES	MC12	MARKER CARD 11.95MM PITCH WITH 360 TAGS	1	PKT	525.00	B
	MC12WP	PRNTD MARKER CARD 11.95MM PITCH 360 TAGS	1	PKT	602.00	B



HIGH PERFORMANCE CY SERIES SCREW CLAMP TERMINAL BLOCKS



Wire Range : 0.2 - 2.5 mm²
 Dimensions Width (Thickness) x Length : 5 x 50 mm
 Height with Din 35 x 7.5 mm Rail : 49 mm




	Part #	Description	Std. Pack	UOM	List Price in	Group
TERMINAL BLOCK	CYG2.5	2.5 mm ² SCREW CLAMP GROUNDING TB	100	EA	79.90	A
ACCESSORIES	EPCY2.5/10	END PLATE FOR CY2.5/4/6/10 CYG2.5/4/6/10	50	EA	7.70	A
	JX2.5/2	2 POLE SHRT LNK FR 5MM WIDE SP CL TB	100	EA	10.20	A
	JX2.5/3	3 POLE SHRT LNK FR 5MM WIDE SP CL TB	50	EA	17.70	A
	JX2.5/4	4 POLE SHRT LNK FR 5MM WIDE SP CL TB	50	EA	30.30	A
	JX2.5/10	10 POLE SHRT LNK FR 5MM WIDE SP CL TB	10	EA	78.50	A
	MC5	MARKER CARD 4.95MM PITCH WITH 84 TAGS	1	PKT	817.00	B
	MC5WP	PRNTD MARKER CARD 4.95MM PITCH 84 TAGS	1	PKT	946.00	B



Wire Range : 0.2 - 4.0 mm²
 Dimensions Width (Thickness) x Length : 6 x 50 mm
 Height with Din 35 x 7.5 mm Rail : 49 mm










	Part #	Description	Std. Pack	UOM	List Price in	Group
TERMINAL BLOCK	CYG4	4 mm ² SCREW CLAMP GROUNDING TB	100	EA	87.30	A
ACCESSORIES	EPCY2.5/10	END PLATE FOR CY2.5/4/6/10 CYG2.5/4/6/10	50	EA	7.70	A
	JX4/2	2 POLE SHRT LNK FR 6MM WIDE SP CL TB	100	EA	17.40	A
	JX4/3	3 POLE SHRT LNK FR 6MM WIDE SP CL TB	50	EA	29.90	A
	JX4/4	4 POLE SHRT LNK FR 6MM WIDE SP CL TB	50	EA	44.90	A
	JX4/10	10 POLE SHRT LNK FR 6MM WIDE SP CL TB	10	EA	104.80	A
	MC6	MARKER CARD 5.95MM PITCH WITH 72 TAGS	1	PKT	698.00	B
	MC6WP	PRNTD MARKER CARD 5.95MM PITCH 72 TAGS	1	PKT	806.00	B



Wire Range : 0.2 - 6mm²
 Dimensions Width (Thickness) x Length : 8 x 50 mm
 Height with Din 35 x 7.5 mm Rail : 49 mm









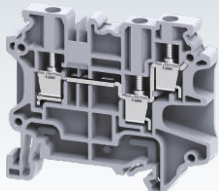

	Part #	Description	Std. Pack	UOM	List Price in	Group
TERMINAL BLOCK	CYG6	6 mm ² SCREW CLAMP GROUNDING TB	100	EA	105.10	A
ACCESSORIES	EPCY2.5/10	END PLATE FOR CY2.5/4/6/10 CYG2.5/4/6/10	50	EA	7.70	A
	JY6/2	2 POLE INSULATED SHORTING LINK FOR CY6	100	EA	26.30	A
	MC8	MARKER CARD 7.95MM PITCH WITH 48 TAGS	1	PKT	532.00	B
	MC8WP	PRNTD MARKER CARD 7.95MM PITCH 48 TAGS	1	PKT	618.00	B




Wire Range : 0.2 - 10 mm²
 Dimensions Width (Thickness) x Length : 10 x 50 mm
 Height with Din 35 x 7.5 mm Rail : 49 mm



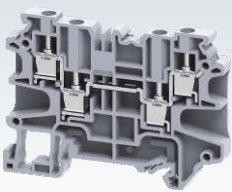
	Part #	Description	Std. Pack	UOM	List Price in	Group
TERMINAL BLOCK	CYG10	10 mm ² SCREW CLAMP GROUND TERMINAL	50	EA	128.00	A
ACCESSORIES	EPCY2.5/10	END PLATE FOR CY2.5/4/6/10 CYG2.5/4/6/10	50	EA	7.70	A
	JY10/2	2 POLE INSULATED SHORTING LINK FOR CY10	20	EA	38.30	A
	MC10	MARKER CARD 9.95MM PITCH WITH 42 TAGS	1	PKT	510.00	B
	MC10WP	PRNTD MARKER CARD 9.95MM PITCH 42 TAGS	1	PKT	592.00	B




Wire Range : 0.2 - 4.0 mm²
 Current (A) : 32 A
 Voltage (V) : 500 V
 Dimensions Width (Thickness) x Length : 6 x 58.8 mm
 Height with Din 35 x 7.5 mm Rail : 50.7 mm



	Part #	Description	Std. Pack	UOM	List Price in	Group
TERMINAL BLOCK	CY4/3	4 mm ² FEED THRU SCREW CLAMP 3 WIRE TB	50	EA	32.90	A
ACCESSORIES	EPCY4/3	END PLATE FOR CY4/3 & CYG4/3	50	EA	14.00	A
	JX4/2	2 POLE SHRT LNK FR 6MM WIDE SP CL TB	100	EA	17.40	A
	JX4/3	3 POLE SHRT LNK FR 6MM WIDE SP CL TB	50	EA	29.90	A
	JX4/4	4 POLE SHRT LNK FR 6MM WIDE SP CL TB	50	EA	44.90	A
	JX4/10	10 POLE SHRT LNK FR 6MM WIDE SP CL TB	10	EA	104.80	A
	MC6	MARKER CARD 5.95MM PITCH WITH 72 TAGS	1	PKT	698.00	B
	MC6WP	PRNTD MARKER CARD 5.95MM PITCH 72 TAGS	1	PKT	806.00	B

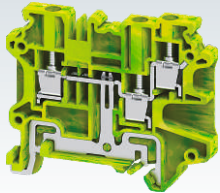


Wire Range : 0.2 - 4.0 mm²
 Dimensions Width (Thickness) x Length : 6 x 69.7 mm
 Height with Din 35 x 7.5 mm Rail : 50.7 mm












	Part #	Description	Std. Pack	UOM	List Price in	Group
TERMINAL BLOCK	CY4/4	4 mm ² FEED THRU SCREW CLAMP 4 WIRE TB	50	EA	46.10	A
ACCESSORIES	EPCY4/4	END PLATE FOR CY4/4 & CYG4/4	50	EA	19.60	A
	JX4/2	2 POLE SHRT LNK FR 6MM WIDE SP CL TB	100	EA	17.40	A
	JX4/3	3 POLE SHRT LNK FR 6MM WIDE SP CL TB	50	EA	29.90	A
	JX4/4	4 POLE SHRT LNK FR 6MM WIDE SP CL TB	50	EA	44.90	A
	JX4/10	10 POLE SHRT LNK FR 6MM WIDE SP CL TB	10	EA	104.80	A
	MC6	MARKER CARD 5.95MM PITCH WITH 72 TAGS	1	PKT	698.00	B
	MC6WP	PRNTD MARKER CARD 5.95MM PITCH 72 TAGS	1	PKT	806.00	B

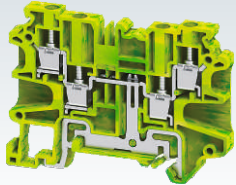
HIGH PERFORMANCE CY SERIES SCREW CLAMP TERMINAL BLOCKS









Wire Range : 0.2 - 4.0 mm²
 Dimensions Width (Thickness) x Length : 6 x 58.8 mm
 Height with Din 35 x 7.5 mm Rail : 50.7 mm

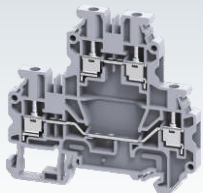
	Part #	Description	Std. Pack	UOM	List Price in	Group
TERMINAL BLOCK	CYG4/3	4 mm ² FEED THRU SP CL 3 WIRE GROUND TB	50	EA	132.30	A
ACCESSORIES	EPCY4/3	END PLATE FOR CY4/3 & CYG4/3	50	EA	14.00	A
	JX4/2	2 POLE SHRT LNK FR 6MM WIDE SP CL TB	100	EA	17.40	A
	JX4/3	3 POLE SHRT LNK FR 6MM WIDE SP CL TB	50	EA	29.90	A
	JX4/4	4 POLE SHRT LNK FR 6MM WIDE SP CL TB	50	EA	44.90	A
	JX4/10	10 POLE SHRT LNK FR 6MM WIDE SP CL TB	10	EA	104.80	A
	MC6	MARKER CARD 5.95MM PITCH WITH 72 TAGS	1	PKT	698.00	B
	MC6WP	PRNTD MARKER CARD 5.95MM PITCH 72 TAGS	1	PKT	806.00	B









Wire Range : 0.2 - 4 mm²
 Dimensions Width (Thickness) x Length : 6 x 69.7 mm
 Height with Din 35 x 7.5 mm Rail : 50.7 mm

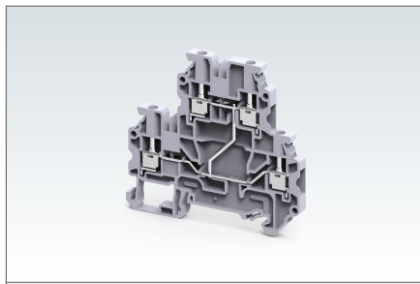
	Part #	Description	Std. Pack	UOM	List Price in	Group
TERMINAL BLOCK	CYG4/4	4 mm ² FEED THRU SP CL 4 WIRE GROUND TB	50	EA	146.40	A
ACCESSORIES	EPCY4/4	END PLATE FOR CY4/4 & CYG4/4	50	EA	19.60	A
	JX4/2	2 POLE SHRT LNK FR 6MM WIDE SP CL TB	100	EA	17.40	A
	JX4/3	3 POLE SHRT LNK FR 6MM WIDE SP CL TB	50	EA	29.90	A
	JX4/4	4 POLE SHRT LNK FR 6MM WIDE SP CL TB	50	EA	44.90	A
	JX4/10	10 POLE SHRT LNK FR 6MM WIDE SP CL TB	10	EA	104.80	A
	MC6	MARKER CARD 5.95MM PITCH WITH 72 TAGS	1	PKT	698.00	B
	MC6WP	PRNTD MARKER CARD 5.95MM PITCH 72 TAGS	1	PKT	806.00	B



Wire Range : 0.2 - 2.5 mm²
 Current (A) : 24 A
 Voltage (V) : 500 V
 Dimensions Width (Thickness) x Length : 5 x 70.5 mm
 Height with Din 35 x 7.5 mm Rail : 65.9 mm

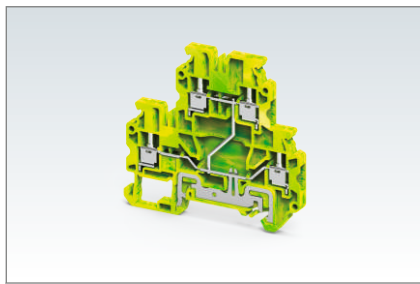
	Part #	Description	Std. Pack	UOM	List Price in	Group
TERMINAL BLOCK	CYDL2.5	2.5mm ² 2 LEVEL FD THRU SCREW CLMP TB	50	EA	37.60	A
	CYDLG2.5	2.5mm ² 2 LEVEL FD THRU SCRW CLMP GND TB	50	EA	131.80	A
ACCESSORIES	EPCYDL2.5/4	END PLATE FOR CYDL2.5 & CYDL4	50	EA	13.00	A
	PPCYDL2.5/4	PARTITION PLATE FOR CYDL2.5 CYDL4	50	EA	18.00	A
	JX2.5/2	2 POLE SHRT LNK FR 5MM WIDE SP CL TB	100	EA	10.20	A
	JX2.5/3	3 POLE SHRT LNK FR 5MM WIDE SP CL TB	50	EA	17.70	A
	JX2.5/4	4 POLE SHRT LNK FR 5MM WIDE SP CL TB	50	EA	30.30	A
	JX2.5/10	10 POLE SHRT LNK FR 5MM WIDE SP CL TB	10	EA	78.50	A
	MC5	MARKER CARD 4.95MM PITCH WITH 84 TAGS	1	PKT	817.00	B
MC5WP	PRNTD MARKER CARD 4.95MM PITCH 84 TAGS	1	PKT	946.00	B	



Wire Range : 0.2 - 2.5 mm²
 Current (A) : 24 A
 Voltage (V) : 500 V
 Dimensions Width
 (Thickness) x Length : 5 x 70.5 mm
 Height with
 Din 35 x 7.5 mm Rail : 65.9 mm



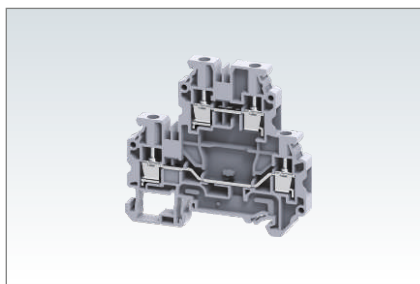
	Part #	Description	Std. Pack	UOM	List Price in	Group
TERMINAL BLOCK	CYDL2.5(I.S)	2.5mm ² 2 LEVEL FD THRU SC CL INT SHRT TB	50	EA	54.60	A
ACCESSORIES	EPCYDL2.5/4	END PLATE FOR CYDL2.5 & CYDL4	50	EA	13.00	A
	PPCYDL2.5/4	PARTITION PLATE FOR CYDL2.5 CYDL4	50	EA	18.00	A
	JX2.5/2	2 POLE SHRT LNK FR 5MM WIDE SP CL TB	100	EA	10.20	A
	JX2.5/3	3 POLE SHRT LNK FR 5MM WIDE SP CL TB	50	EA	17.70	A
	JX2.5/4	4 POLE SHRT LNK FR 5MM WIDE SP CL TB	50	EA	30.30	A
	JX2.5/10	10 POLE SHRT LNK FR 5MM WIDE SP CL TB	10	EA	78.50	A
	MC5	MARKER CARD 4.95MM PITCH WITH 84 TAGS	1	PKT	817.00	B
MC5WP	PRNTD MARKER CARD 4.95MM PITCH 84 TAGS	1	PKT	946.00	B	



Wire Range : 0.2 - 2.5 mm²
 Dimensions Width
 (Thickness) x Length : 5 x 70.5 mm
 Height with
 Din 35 x 7.5 mm Rail : 65.9 mm



	Part #	Description	Std. Pack	UOM	List Price in	Group
TERMINAL BLOCK	CYDLG2.5(I.S)	2.5mm ² 2 LVL FD TH SC CL INT SHRT GND TB	50	EA	171.40	A
ACCESSORIES	EPCYDL2.5/4	END PLATE FOR CYDL2.5 & CYDL4	50	EA	13.00	A
	PPCYDL2.5/4	PARTITION PLATE FOR CYDL2.5 CYDL4	50	EA	18.00	A
	JX2.5/2	2 POLE SHRT LNK FR 5MM WIDE SP CL TB	100	EA	10.20	A
	JX2.5/3	3 POLE SHRT LNK FR 5MM WIDE SP CL TB	50	EA	17.70	A
	JX2.5/4	4 POLE SHRT LNK FR 5MM WIDE SP CL TB	50	EA	30.30	A
	JX2.5/10	10 POLE SHRT LNK FR 5MM WIDE SP CL TB	10	EA	78.50	A
	MC5	MARKER CARD 4.95MM PITCH WITH 84 TAGS	1	PKT	817.00	B
MC5WP	PRNTD MARKER CARD 4.95MM PITCH 84 TAGS	1	PKT	946.00	B	

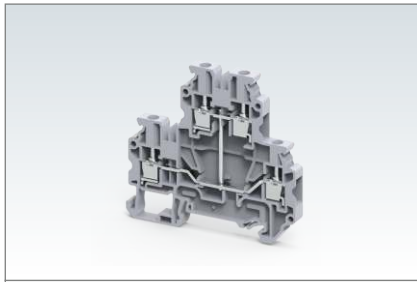


Wire Range : 0.2 - 2.5 mm²
 Dimensions Width
 (Thickness) x Length : 5 x 70.5 mm
 Height with
 Din 35 x 7.5 mm Rail : 65.9 mm



	Part #	Description	Std. Pack	UOM	List Price in	Group
TERMINAL BLOCK	CYDL4	4mm ² 2 LEVEL FD THRU SCREW CLMP TB	50	EA	40.90	A
ACCESSORIES	EPCYDL2.5/4	END PLATE FOR CYDL2.5 & CYDL4	50	EA	13.00	A
	JX4/2	2 POLE SHRT LNK FR 6MM WIDE SP CL TB	100	EA	17.40	A
	JX4/3	3 POLE SHRT LNK FR 6MM WIDE SP CL TB	50	EA	29.90	A
	JX4/4	4 POLE SHRT LNK FR 6MM WIDE SP CL TB	50	EA	44.90	A
	JX4/10	10 POLE SHRT LNK FR 6MM WIDE SP CL TB	10	EA	104.80	A
	MC6	MARKER CARD 5.95MM PITCH WITH 72 TAGS	1	PKT	698.00	B
	MC6WP	PRNTD MARKER CARD 5.95MM PITCH 72 TAGS	1	PKT	806.00	B

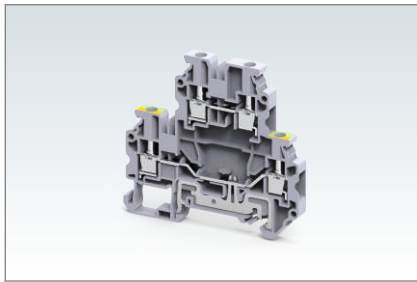
HIGH PERFORMANCE CY SERIES SCREW CLAMP TERMINAL BLOCKS



Wire Range : 0.2 - 4.0 mm²
 Current (A) : 32 A
 Voltage (V) : 800 V
 Dimensions Width
 (Thickness) x Length : 6 x 70.5 mm
 Height with
 Din 35 x 7.5 mm Rail : 65.9 mm



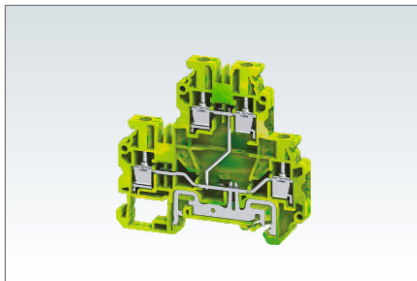
	Part #	Description	Std. Pack	UOM	List Price in	Group
TERMINAL BLOCK	CYDL4(I.S)	4mm ² 2 LVL FD THRU SC CL INT SHRT TB	50	EA	54.00	A
ACCESSORIES	EPCYDL2.5/4	END PLATE FOR CYDL2.5 & CYDL4	50	EA	13.00	A
	PPCYDL2.5/4	PARTITION PLATE FOR CYDL2.5 CYDL4	20	EA	18.00	A
	JX4/2	2 POLE SHRT LNK FR 6MM WIDE SP CL TB	100	EA	17.40	A
	JX4/3	3 POLE SHRT LNK FR 6MM WIDE SP CL TB	50	EA	29.90	A
	JX4/4	4 POLE SHRT LNK FR 6MM WIDE SP CL TB	50	EA	44.90	A
	JX4/10	10 POLE SHRT LNK FR 6MM WIDE SP CL TB	10	EA	104.80	A
	MC6	MARKER CARD 5.95MM PITCH WITH 72 TAGS	1	PKT	698.00	B
MC6WP	PRNTD MARKER CARD 5.95MM PITCH 72 TAGS	1	PKT	806.00	B	



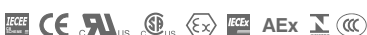
Wire Range : 0.2 - 4.0 mm²
 Current (A) : 32 A(Top)
 Voltage (V) : 800 V
 Dimensions Width
 (Thickness) x Length : 6 x 70.5 mm
 Height with
 Din 35 x 7.5 mm Rail : 65.9 mm



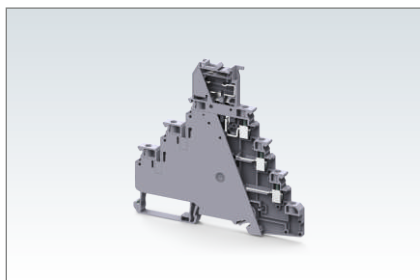
	Part #	Description	Std. Pack	UOM	List Price in	Group
TERMINAL BLOCK	CYDLG4	4mm ² 2 LEVEL FD THRU SCRW CLMP GND TB	50	EA	137.10	A
ACCESSORIES	EPCYDL2.5/4	END PLATE FOR CYDL2.5 & CYDL4	50	EA	13.00	A
	JX4/2	2 POLE SHRT LNK FR 6MM WIDE SP CL TB	100	EA	17.40	A
	JX4/3	3 POLE SHRT LNK FR 6MM WIDE SP CL TB	50	EA	29.90	A
	JX4/4	4 POLE SHRT LNK FR 6MM WIDE SP CL TB	50	EA	44.90	A
	JX4/10	10 POLE SHRT LNK FR 6MM WIDE SP CL TB	10	EA	104.80	A
	MC6	MARKER CARD 5.95MM PITCH WITH 72 TAGS	1	PKT	698.00	B
	MC6WP	PRNTD MARKER CARD 5.95MM PITCH 72 TAGS	1	PKT	806.00	B



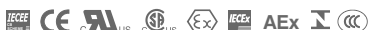
Wire Range : 0.2 - 4 mm²
 Width
 (Thickness) x Length : 6 x 70.5 mm
 Height with
 Din 35 x 7.5 mm Rail : 65.9 mm



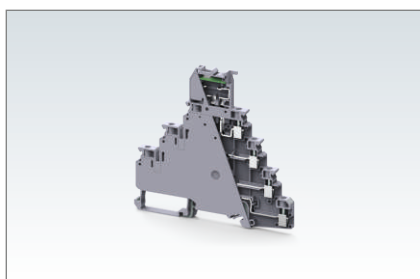
	Part #	Description	Std. Pack	UOM	List Price in	Group
TERMINAL BLOCK	CYDLG4(I.S)	4mm ² 2 LVL FD THRU SC CL INT SHRT GND TB	50	EA	178.20	A
ACCESSORIES	EPCYDL2.5/4	END PLATE FOR CYDL2.5 & CYDL4	50	EA	13.00	A
	PPCYDL2.5/4	PARTITION PLATE FOR CYDL2.5 CYDL4	20	EA	18.00	A
	JX4/2	2 POLE SHRT LNK FR 6MM WIDE SP CL TB	100	EA	17.40	A
	JX4/3	3 POLE SHRT LNK FR 6MM WIDE SP CL TB	50	EA	29.90	A
	JX4/4	4 POLE SHRT LNK FR 6MM WIDE SP CL TB	50	EA	44.90	A
	JX4/10	10 POLE SHRT LNK FR 6MM WIDE SP CL TB	10	EA	104.80	A
	MC6	MARKER CARD 5.95MM PITCH WITH 72 TAGS	1	PKT	698.00	B
MC6WP	PRNTD MARKER CARD 5.95MM PITCH 72 TAGS	1	PKT	806.00	B	



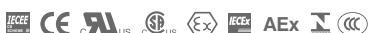
Wire Range : 0.2 - 2.5 mm²
 Current (A) : 10 A / 20 A
 Voltage (V) : 250
 V Dimensions Width
 (Thickness) x Length : 6 x 105.1 mm
 Height with
 Din 35 x 7.5 mm Rail : 100 mm



	Part #	Description	Std. Pack	UOM	List Price in	Group
TERMINAL BLOCK	CYTLF2.5	2.5MM ² 3 LEVEL FD THRU SCRW CLMP FUSE TB	50	EA	173.70	A
	CYTLF2.5L6-60V	2.5MM ² 3 LVL SC CL FUSE TB LED 6-60V	50	EA	225.80	A
	CYTLF2.5L110-240V	2.5MM ² 3 LVL SC CL FUSE TB LED 110-240V	50	EA	225.80	A
ACCESSORIES	JX4/2	2 POLE SHRT LNK FR 6MM WIDE SP CL TB	100	EA	17.40	A
	JX4/3	3 POLE SHRT LNK FR 6MM WIDE SP CL TB	50	EA	29.90	A
	JX4/4	4 POLE SHRT LNK FR 6MM WIDE SP CL TB	50	EA	44.90	A
	MC6	MARKER CARD 5.95MM PITCH WITH 72 TAGS	1	PKT	698.00	B
	MC6WP	PRNTD MARKER CARD 5.95MM PITCH 72 TAGS	1	PKT	806.00	B



Wire Range : 0.2 - 2.5 mm²
 Current (A) : 10 A / 20 A
 Voltage (V) : 250 V
 Dimensions Width
 (Thickness) x Length : 6 x 105.1 mm
 Height with
 Din 35 x 7.5 mm Rail : 100 mm



	Part #	Description	Std. Pack	UOM	List Price in	Group
TERMINAL BLOCK	CYTLGF2.5	2.5MM ² 3 LEVEL SCRW CLMP FUSE GND TB	50	EA	223.90	A
	CYTLGF2.5L6-60V	2.5MM ² 3 LVL SC CL FUSE GND TB LED 6-60V	50	EA	291.00	A
	CYTLGF2.5L110-240V	2.5MM ² 3 LVL SC FUSE GND TB LED 110-240V	50	EA	291.00	A
ACCESSORIES	JX4/2	2 POLE SHRT LNK FR 6MM WIDE SP CL TB	100	EA	17.40	A
	JX4/3	3 POLE SHRT LNK FR 6MM WIDE SP CL TB	50	EA	29.90	A
	JX4/4	4 POLE SHRT LNK FR 6MM WIDE SP CL TB	50	EA	44.90	A
	MC6	MARKER CARD 5.95MM PITCH WITH 72 TAGS	1	PKT	698.00	B
	MC6WP	PRNTD MARKER CARD 5.95MM PITCH 72 TAGS	1	PKT	806.00	B

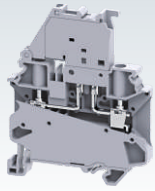


Wire Range : 0.2 - 4.0 mm²
 Current (A) : 10 A
 Voltage (V) : 1000 V
 Dimensions Width
 (Thickness) x Length : 6 x 58.8 mm
 Height with
 Din 35 x 7.5 mm Rail : 72.4 mm



	Part #	Description	Std. Pack	UOM	List Price in	Group
TERMINAL BLOCK	CYF4	4mm ² Ø5X20mm FUSE 6mm WIDE TERMNAL BLOCK	50	EA	62.90	A
	CYF4BU	4mm ² Ø5X20mm FUSE 6mm WIDE TB BLU	50	EA	69.20	A
ACCESSORIES	JX4/2	2 POLE SHRT LNK FR 6MM WIDE SP CL TB	100	EA	17.40	A
	JX4/3	3 POLE SHRT LNK FR 6MM WIDE SP CL TB	50	EA	29.90	A
	JX4/4	4 POLE SHRT LNK FR 6MM WIDE SP CL TB	50	EA	44.90	A
	JX4/10	10 POLE SHRT LNK FR 6MM WIDE SP CL TB	10	EA	104.80	A
	MC6	MARKER CARD 5.95MM PITCH WITH 72 TAGS	1	PKT	698.00	B
	MC6WP	PRNTD MARKER CARD 5.95MM PITCH 72 TAGS	1	PKT	806.00	B


HIGH PERFORMANCE CY SERIES SCREW CLAMP TERMINAL BLOCKS



Wire Range : 0.2 - 4.0 mm²
 Current (A) : 10 A
 Voltage (V) : 1000 V
 Dimensions Width
 (Thickness) x Length : 6 x 58.8 mm
 Height with
 Din 35 x 7.5 mm Rail : 72.4 mm

CE **UL** **US**

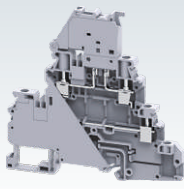
	Part #	Description	Std. Pack	UOM	List Price in	Group
TERMINAL BLOCK	CYF4L6-60V	4mm ² Ø5X20mm FUSE SC CL TB LED 6-60V	50	EA	84.90	A
	CYF4L110-240V	4mm ² Ø5X20mm FUSE SC CL TB LED 110-240V	50	EA	84.90	A
ACCESSORIES	JX4/2	2 POLE SHRT LNK FR 6MM WIDE SP CL TB	100	EA	17.40	A
	JX4/3	3 POLE SHRT LNK FR 6MM WIDE SP CL TB	50	EA	29.90	A
	JX4/4	4 POLE SHRT LNK FR 6MM WIDE SP CL TB	50	EA	44.90	A
	JX4/10	10 POLE SHRT LNK FR 6MM WIDE SP CL TB	10	EA	104.80	A
	MC6	MARKER CARD 5.95MM PITCH WITH 72 TAGS	1	PKT	698.00	B
	MC6WP	PRNTD MARKER CARD 5.95MM PITCH 72 TAGS	1	PKT	806.00	B



Wire Range : 0.2 - 4.0 mm²
 Current (A) : 10 A/32A
 Voltage (V) : 500 V
 Dimensions Width
 (Thickness) x Length : 6 x 94.5 mm
 Height with
 Din 35 x 7.5 mm Rail : 90.9 mm

CE **UL** **US** **IEC** **CS**

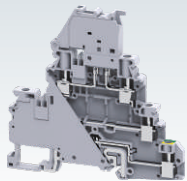
	Part #	Description	Std. Pack	UOM	List Price in	Group
TERMINAL BLOCK	CYDLF4	4mm ² 2 LEVEL Ø5X20mm SCREW CL FUSE TB	50	EA	121.50	A
ACCESSORIES	JX4/2	2 POLE SHRT LNK FR 6MM WIDE SP CL TB	100	EA	17.40	A
	JX4/3	3 POLE SHRT LNK FR 6MM WIDE SP CL TB	50	EA	29.90	A
	JX4/4	4 POLE SHRT LNK FR 6MM WIDE SP CL TB	50	EA	44.90	A
	JX4/10	10 POLE SHRT LNK FR 6MM WIDE SP CL TB	10	EA	104.80	A
	MC6	MARKER CARD 5.95MM PITCH WITH 72 TAGS	1	PKT	698.00	B
	MC6WP	PRNTD MARKER CARD 5.95MM PITCH 72 TAGS	1	PKT	806.00	B








Wire Range : 0.2 - 4.0 mm²
 Current (A) : 10 A/32A
 Voltage (V) : 500 V
 Dimensions Width
 (Thickness) x Length : 6 x 94.5 mm
 Height with
 Din 35 x 7.5 mm Rail : 90.9 mm

IEC **CE** **UL** **US**


	Part #	Description	Std. Pack	UOM	List Price in	Group
TERMINAL BLOCK	CYDLF4L6-60V	4mm ² Ø5X20mm FUSE SC CL TB LED 6-60V	50	EA	164.50	A
	CYDLF4L110-240V	4mm ² Ø5X20mm FUSE SC CL TB LED 110-240V	50	EA	164.50	A
ACCESSORIES	JX4/2	2 POLE SHRT LNK FR 6MM WIDE SP CL TB	100	EA	17.40	A
	JX4/3	3 POLE SHRT LNK FR 6MM WIDE SP CL TB	50	EA	29.90	A
	JX4/4	4 POLE SHRT LNK FR 6MM WIDE SP CL TB	50	EA	44.90	A
	JX4/10	10 POLE SHRT LNK FR 6MM WIDE SP CL TB	10	EA	104.80	A
	MC6	MARKER CARD 5.95MM PITCH WITH 72 TAGS	1	PKT	698.00	B
	MC6WP	PRNTD MARKER CARD 5.95MM PITCH 72 TAGS	1	PKT	806.00	B








Wire Range : 0.2 - 4 sq.mm.
 Current (A) : 10 A / 32 A
 Voltage (V) : 500 V
 Dimensions Width (Thickness) x Length : 6 x 94.5 mm
 Height with Din 35 x 7.5 mm Rail : 90.9 mm


	Part #	Description	Std. Pack	UOM	List Price in	Group
TERMINAL BLOCK	CYDLGF4	4mm ² 2 LEVEL Ø5X20mm FUSE+GND SW CL TB	50	EA	204.90	A
ACCESSORIES	JX4/2	2 POLE SHRT LNK FR 6MM WIDE SP CL TB	100	EA	17.40	A
	JX4/3	3 POLE SHRT LNK FR 6MM WIDE SP CL TB	50	EA	29.90	A
	JX4/4	4 POLE SHRT LNK FR 6MM WIDE SP CL TB	50	EA	44.90	A
	JX4/10	10 POLE SHRT LNK FR 6MM WIDE SP CL TB	10	EA	104.80	A
	MC6	MARKER CARD 5.95MM PITCH WITH 72 TAGS	1	PKT	698.00	B
	MC6WP	PRNTD MARKER CARD 5.95MM PITCH 72 TAGS	1	PKT	806.00	B








Wire Range : 0.2 - 2.5 mm²
 Current (A) : 20 A
 Voltage (V) : 500 V
 Dimensions Width (Thickness) x Length : 5 x 50 mm
 Height with Din 35 x 7.5 mm Rail : 53.2 mm

	Part #	Description	Std. Pack	UOM	List Price in	Group
TERMINAL BLOCK	CYK2.5	2.5 mm ² 2 WIRE KNIFE DISCON SCREW CL TB	50	EA	40.50	A
	CYK2.5BU	2.5 mm ² 2 WIRE KNIFE DISCON SC CL TB BLU	50	EA	44.60	A
ACCESSORIES	EPCY2.5/10	END PLATE FOR CY2.5/4/6/10 CYG2.5/4/6/10	50	EA	7.70	A
	JX2.5/2	2 POLE SHRT LNK FR 5MM WIDE SP CL TB	100	EA	10.20	A
	JX2.5/3	3 POLE SHRT LNK FR 5MM WIDE SP CL TB	50	EA	17.70	A
	JX2.5/4	4 POLE SHRT LNK FR 5MM WIDE SP CL TB	50	EA	30.30	A
	JX2.5/10	10 POLE SHRT LNK FR 5MM WIDE SP CL TB	10	EA	78.50	A
	MC5	MARKER CARD 4.95MM PITCH WITH 84 TAGS	1	PKT	817.00	B
	MC5WP	PRNTD MARKER CARD 4.95MM PITCH 84 TAGS	1	PKT	946.00	B

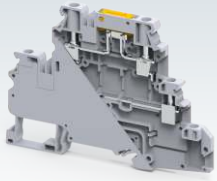


Wire Range : 0.2 - 4.0 mm²
 Current (A) : 28 A
 Voltage (V) : 1000 V
 Dimensions Width (Thickness) x Length : 6 x 58.8 mm
 Height with Din 35 x 7.5 mm Rail : 51.5 mm








	Part #	Description	Std. Pack	UOM	List Price in	Group
TERMINAL BLOCK	CYK4	4 mm ² 2 WIRE KNIFE DISCON SCREW CL TB	50	EA	50.20	A
	CYK4BU	4 mm ² 2 WIRE KNIFE DISCON SCRW CL TB BLU	50	EA	55.20	A
ACCESSORIES	JX4/2	2 POLE SHRT LNK FR 6MM WIDE SP CL TB	100	EA	17.40	A
	JX4/3	3 POLE SHRT LNK FR 6MM WIDE SP CL TB	50	EA	29.90	A
	JX4/4	4 POLE SHRT LNK FR 6MM WIDE SP CL TB	50	EA	44.90	A
	JX4/10	10 POLE SHRT LNK FR 6MM WIDE SP CL TB	10	EA	104.80	A
	MC6	MARKER CARD 5.95MM PITCH WITH 72 TAGS	1	PKT	698.00	B
	MC6WP	PRNTD MARKER CARD 5.95MM PITCH 72 TAGS	1	PKT	806.00	B

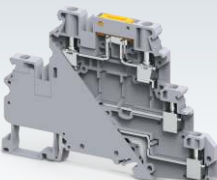
HIGH PERFORMANCE CY SERIES SCREW CLAMP TERMINAL BLOCKS




Wire Range : 0.2 - 4.0 mm²
Current (A) : 28 A/32A
Voltage (V) : 500 V
Dimensions Width (Thickness) x Length : 6 x 94.5 mm
Height with Din 35 x 7.5 mm Rail : 67.6 mm




	Part #	Description	Std. Pack	UOM	List Price in	Group
TERMINAL BLOCK	CYDLK4	4mm ² 2 LEVEL KNIFE DISCON SCREW CL TB	50	EA	146.20	A
ACCESSORIES	JX4/2	2 POLE SHRT LNK FR 6MM WIDE SP CL TB	100	EA	17.40	A
	JX4/3	3 POLE SHRT LNK FR 6MM WIDE SP CL TB	50	EA	29.90	A
	JX4/4	4 POLE SHRT LNK FR 6MM WIDE SP CL TB	50	EA	44.90	A
	JX4/10	10 POLE SHRT LNK FR 6MM WIDE SP CL TB	10	EA	104.80	A
	MC6	MARKER CARD 5.95MM PITCH WITH 72 TAGS	1	PKT	698.00	B
	MC6WP	PRNTD MARKER CARD 5.95MM PITCH 72 TAGS	1	PKT	806.00	B




Wire Range : 0.2 - 4 mm²
Current (A) : 28 A / 32 A
Voltage (V) : 500 V
Dimensions Width (Thickness) x Length : 9 x 94.5 mm
Height with Din 35 x 7.5 mm Rail : 67.6 mm



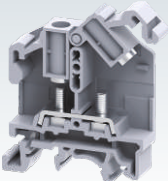
	Part #	Description	Std. Pack	UOM	List Price in	Group
TERMINAL BLOCK	CYDLGK4	4mm ² 2 LEVEL KNIFE DISCON+GND SW CL TB	50	EA	197.70	A
ACCESSORIES	JX4/2	2 POLE SHRT LNK FR 6MM WIDE SP CL TB	100	EA	17.40	A
	JX4/3	3 POLE SHRT LNK FR 6MM WIDE SP CL TB	50	EA	29.90	A
	JX4/4	4 POLE SHRT LNK FR 6MM WIDE SP CL TB	50	EA	44.90	A
	JX4/10	10 POLE SHRT LNK FR 6MM WIDE SP CL TB	10	EA	104.80	A
	MC6	MARKER CARD 5.95MM PITCH WITH 72 TAGS	1	PKT	698.00	B
	MC6WP	PRNTD MARKER CARD 5.95MM PITCH 72 TAGS	1	PKT	806.00	B











Wire Range : 1.5 - 6.0 mm²
Current (A) : 41 A
Voltage (V) : 1000 V
Dimensions Width (Thickness) x Length : 9 x 47 mm
Height with Din 35 x 7.5 mm Rail : 25 mm




	Part #	Description	Std. Pack	UOM	List Price in	Group
TERMINAL BLOCK	STH3	6 mm ² M3 CAPTIVE NUT STUD TYPE TERMINAL	100	EA	42.90	B
	STH3BU	6 mm ² M3 CAPTIV NUT STUD TYP TB BLU	100	EA	47.20	B
	STH3BK	6 mm ² M3 CAPTIV NUT STUD TYPE TB BLK	100	EA	47.20	B
	STH3R	6 mm ² M3 CAPTIV NUT STUD TYPE TB RED	100	EA	47.20	B
	STH3Y	6 mm ² M3 CAPTIV NUT STD TYPE TB YLW	100	EA	47.20	B
	STH3GN	6 mm ² M3 CAPTIV NUT STD TYPE TB GRN	100	EA	47.20	B
ACCESSORIES	EPSTH3	END PLATE FOR STH3	50	EA	9.80	B
	CA773/2	2P PRE ASSEM SHRT LINK FOR 9mm WIDE TB	100	EA	18.00	B
	CA773/3	3P PRE ASSEM SHRT LINK FOR 9mm WIDE TB	50	EA	27.00	B
	CA773/4	4P PRE ASSEM SHRT LINK FOR 9mm WIDE TB	50	EA	35.90	B
	CA773/10	10P PRE ASSEM SHRT LINK FR 9mm WD TB	10	EA	89.80	B
	MC8	MARKER CARD 7.95MM PITCH WITH 48 TAGS	1	PKT	532.00	B
	MC8WP	PRNTD MARKER CARD 7.95MM PITCH 48 TAGS	1	PKT	618.00	B











Wire Range : 1.5 - 36 mm²
 Current (A) : 41 A
 Voltage (V) : 1000 V
 Dimensions Width
 (Thickness) x Length : 11 x 46 mm
 Height with
 Din 35 x 7.5 mm Rail : 52.2 mm

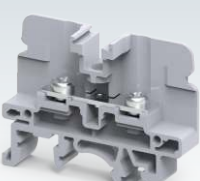
	Part #	Description	Std. Pack	UOM	List Price in	Group
TERMINAL BLOCK	STH4	6 mm ² M4 CAPTIVE NUT STUD TYPE TERMINAL	50	EA	51.90	B
	STH4BU	6 mm ² M4 CAPTIVE NUT STUD TYPE TB BLUE	50	EA	57.10	B
	STH4BK	6 mm ² M4 CAPTIVE NUT STUD TYPE TB BLACK	50	EA	57.10	B
	STH4R	6 mm ² M4 CAPTIVE NUT STUD TYPE TB RED	50	EA	57.10	B
	STH4Y	6 mm ² M4 CAPTIVE NUT STUD TYPE TB YELLOW	50	EA	57.10	B
	STH4GN	6 mm ² M4 CAPTIVE NUT STUD TYPE TB GREEN	50	EA	57.10	B
	STH4TP	HINGE TYPE PA STUD TB GRY WTH TP	50	EA	59.80	B
ACCESSORIES	EPSTH4	END PLATE FOR STH4	50	EA	10.40	B
	MC10	MARKER CARD 9.95MM PITCH WITH 42 TAGS	1	PKT	510.00	B
	MC10WP	PRNTD MARKER CARD 9.95MM PITCH 42 TAGS	1	PKT	592.00	B











Wire Range : 1.5 - 3.5 mm²
 Current (A) : 125 A
 Voltage (V) : 1000 V
 Dimensions Width
 (Thickness) x Length : 18 x 63.5 mm
 Height with
 Din 35 x 7.5 mm Rail : 63.1 mm

	Part #	Description	Std. Pack	UOM	List Price in	Group
TERMINAL BLOCK	STH6	35 mm ² M6 CAPTIVE NUT STUD TYPE TB	50	EA	123.20	B
	STH6BU	35 mm ² M6 CAPTIV NUT STUD TYP TB BLU	50	EA	135.50	B
	STH6BK	35 mm ² M6 CAPTIV NUT STUD TYP TB BLK	50	EA	135.50	B
	STH6R	35 mm ² M6 CAPTIV NUT STUD TYP TB RED	50	EA	135.50	B
	STH6Y	35 mm ² M6 CAPTIV NUT STUD TYP TB YLW	50	EA	135.50	B
	STH6GN	35 mm ² M6 CAPTIV NUT STUD TYP TB GRN	50	EA	135.50	B
ACCESSORIES	EPSTH6	END PLATE FOR STH6	50	EA	14.00	B
	CA774/2	2P PRE ASSEM SHRT LINK FR 18mm WD TB	100	EA	31.40	B
	CA774/3	3P PRE ASSEM SHRT LINK FR 18mm WD TB	50	EA	40.50	B
	CA774/4	4P PRE ASSEM SHRT LINK FR 18mm WD TB	50	EA	62.80	B
	MC16	MARKER CARD 15.95MM PITCH WITH 30 TAGS	1	PKT	415.00	B
	MC16WP	PRNTD MARKER CARD 15.95MM PITCH 30 TAGS	1	PKT	485.00	B

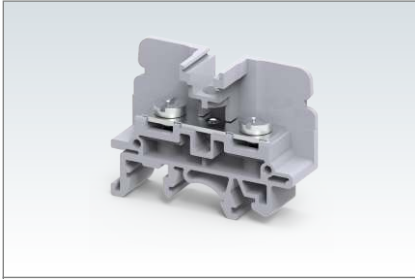


Wire Range : 0.5 - 6 mm²
 Current (A) : 41 A
 Voltage (V) : 1000 V
 Dimensions Width
 (Thickness) x Length : 9 x 49 mm
 Height with
 Din 35 x 7.5 mm Rail : 38 mm

	Part #	Description	Std. Pack	UOM	List Price in	Group
TERMINAL BLOCK	CBS3U	6 mm ² M3 SCREW BARRIER TYPE TERMINAL	100	EA	25.20	B
	CBS3UBU	6 mm ² M3 SCREW BARRIER TYPE TB BLUE	100	EA	27.70	B
	CBS3UBK	6 mm ² M3 SCREW BARRIER TYPE TB BLACK	100	EA	27.70	B
	CBS3UR	6 mm ² M3 SCREW BARRIER TYPE TB RED	100	EA	27.70	B
	CBS3UY	6 mm ² M3 SCREW BARRIER TYPE TB YELLOW	100	EA	27.70	B
	CBS3UGN	6 mm ² M3 SCREW BARRIER TYPE TB GREEN	100	EA	27.70	B
ACCESSORIES	EPCBS3U	END PLATE FOR CBS & CSB SERIES TB	50	EA	9.80	B
	CA728/2	2P PRE ASSEM SHRT LINK FOR 9mm WIDE TB	50	EA	16.30	B
	CA728/3	3P PRE ASSEM SHRT LINK FOR 9mm WIDE TB	50	EA	24.40	B
	CA728/4	4P PRE ASSEM SHRT LINK FOR 9mm WIDE TB	50	EA	32.40	B
	CA728/10	10P PRE ASSEM SHRT LINK FOR 9mm WIDE TB	10	EA	80.80	B
	MC9	MARKER CARD 9 MM PITCH WITH 42 TAGS	1	PKT	510.00	B
MC9WP	PRNTD MARKER CARD 9 MM PITCH 42 TAGS	1	PKT	592.00	B	

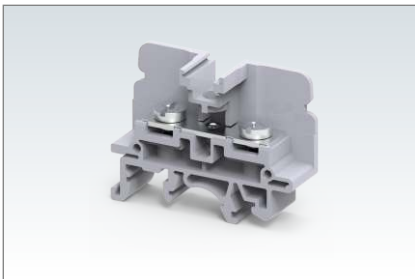
STUD & BOLT TYPE TERMINAL BLOCKS



Wire Range : 1.5 - 10 mm²
 Current (A) : 57 A
 Voltage (V) : 1000 V
 Dimensions Width
 (Thickness) x Length : 13 x 49 mm
 Height with
 Din 35 x 7.5 mm Rail : 38 mm



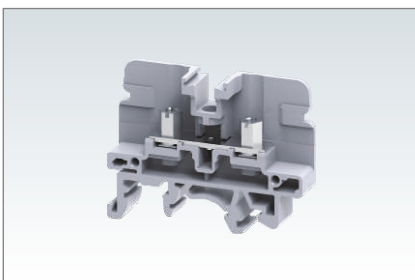
	Part #	Description	Std. Pack	UOM	List Price in	Group
TERMINAL BLOCK	CBS4U	10 mm ² M4 SCREW BARRIER TYPE TERMINAL	100	EA	28.50	B
	CBS4UBU	10 mm ² M4 SCREW BARRIER TYPE TB BLUE	100	EA	31.40	B
	CBS4UBK	10 mm ² M4 SCREW BARRIER TYPE TB BLACK	100	EA	31.40	B
	CBS4UR	10 mm ² M4 SCREW BARRIER TYPE TB RED	100	EA	31.40	B
	CBS4UY	10 mm ² M4 SCREW BARRIER TYPE TB YELLOW	100	EA	31.40	B
ACCESSORIES	EPCBS3U	END PLATE FOR CBS & CSB SERIES TB	50	EA	9.80	B
	CA772/2	2P PRE ASSEM SHRT LINK FR 13mm WD TB	100	EA	20.70	B
	CA772/3	3P PRE ASSEM SHRT LINK FR 13mm WD TB	50	EA	31.10	B
	CA772/4	4P PRE ASSEM SHRT LINK FR 13mm WD TB	50	EA	41.40	B
	CA772/10	10P PRE ASSEM SHRT LINK FR 13mm WIDE TB	10	EA	103.30	B
	MC9	MARKER CARD 9 MM PITCH WITH 42 TAGS	1	PKT	510.00	B
	MC9WP	PRNTD MARKER CARD 9 MM PITCH 42 TAGS	1	PKT	592.00	B



Wire Range : 1.5 - 16 mm²
 Current (A) : 76 A
 Voltage (V) : 1000 V
 Dimensions Width
 (Thickness) x Length : 13 x 49 mm
 Height with
 Din 35 x 7.5 mm Rail : 38 mm



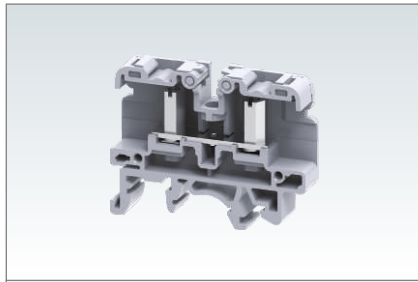
	Part #	Description	Std. Pack	UOM	List Price in	Group
TERMINAL BLOCK	CBS5U	16 mm ² M4 SCREW BARRIER TYPE TERMINAL	100	EA	34.80	B
	CBS5UBU	16 mm ² M4 SCREW BARRIER TYPE TB BLUE	100	EA	38.30	B
	CBS5UR	16 mm ² M4 SCREW BARRIER TYPE TB RED	100	EA	38.30	B
	CBS5UY	16 mm ² M4 SCREW BARRIER TYPE TB YELLOW	100	EA	38.30	B
ACCESSORIES	EPCBS3U	END PLATE FOR CBS & CSB SERIES TB	50	EA	9.80	B
	CA772/2	2P PRE ASSEM SHRT LINK FR 13mm WD TB	100	EA	20.70	B
	CA772/3	3P PRE ASSEM SHRT LINK FR 13mm WD TB	50	EA	31.10	B
	CA772/4	4P PRE ASSEM SHRT LINK FR 13mm WD TB	50	EA	41.40	B
	CA772/10	10P PRE ASSEM SHRT LINK FR 13mm WIDE TB	10	EA	103.30	B
	MC9	MARKER CARD 9 MM PITCH WITH 42 TAGS	1	PKT	510.00	B
	MC9WP	PRNTD MARKER CARD 9 MM PITCH 42 TAGS	1	PKT	592.00	B



Wire Range : 0.5 - 6.0 mm²
 Current (A) : 41 A
 Voltage (V) : 1000 V
 Dimensions Width
 (Thickness) x Length : 9 x 49 mm
 Height with
 Din 35 x 7.5 mm Rail : 38 mm



	Part #	Description	Std. Pack	UOM	List Price in	Group
TERMINAL BLOCK	CSB3/N3U	6mm ² M3 STUD TYP SCREW/NUT DRIVER OPRTD	100	EA	32.10	B
	CSB3/N3UBU	6mm ² M3 STUD SCR/NUT DRVR OPRTD BLU	100	EA	35.30	B
	CSB3/N3UBK	6mm ² M3 STUD SCR/NUT DRVR OPRTD BLK	100	EA	35.30	B
	CSB3/N3UR	6mm ² M3 STUD SCR/NUT DRVR OPRTD RED	100	EA	35.30	B
	CSB3/N3UY	6mm ² M3 STU SCR/NUT DRVR OPRTD YLW	100	EA	35.30	B
	CSB3/N3UGN	6mm ² M3 STUD TYP SCR/NUT DRIV OPRTD GRN	100	EA	35.30	B
ACCESSORIES	EPCBS3U	END PLATE FOR CBS & CSB SERIES TB	50	EA	9.80	B
	CA728/2	2P PRE ASSEM SHRT LINK FOR 9mm WIDE TB	50	EA	16.30	B
	CA728/3	3P PRE ASSEM SHRT LINK FOR 9mm WIDE TB	50	EA	24.40	B
	CA728/4	4P PRE ASSEM SHRT LINK FOR 9mm WIDE TB	50	EA	32.40	B
	CA728/10	10P PRE ASSEM SHRT LINK FOR 9mm WIDE TB	10	EA	80.80	B
	MC9	MARKER CARD 9 MM PITCH WITH 42 TAGS	1	PKT	510.00	B
	MC9WP	PRNTD MARKER CARD 9 MM PITCH 42 TAGS	1	PKT	592.00	B



Wire Range : 0.5 - 6.0 mm²
 Current (A) : 41 A
 Voltage (V) : 1000 V
 Dimensions Width
 (Thickness) x Length : 9 x 49 mm
 Height with
 Din 35 x 7.5 mm Rail : 38 mm



	Part #	Description	Std. Pack	UOM	List Price in	Group
TERMINAL BLOCK	CSB3/N3USH	6mm ² M3 STUD SHROUD TYP SCRW/NUT DRV OP	100	EA	40.60	B
ACCESSORIES	EPCBS3U	END PLATE FOR CBS & CSB SERIES TB	50	EA	9.80	B
	CA728/2	2P PRE ASSEM SHRT LINK FOR 9mm WIDE TB	50	EA	16.30	B
	CA728/3	3P PRE ASSEM SHRT LINK FOR 9mm WIDE TB	50	EA	24.40	B
	CA728/4	4P PRE ASSEM SHRT LINK FOR 9mm WIDE TB	50	EA	32.40	B
	CA728/10	10P PRE ASSEM SHRT LINK FOR 9mm WIDE TB	10	EA	80.80	B
	MC9	MARKER CARD 9 MM PITCH WITH 42 TAGS	1	PKT	510.00	B
	MC9WP	PRNTD MARKER CARD 9 MM PITCH 42 TAGS	1	PKT	592.00	B



Wire Range : 0.5 - 6 mm²
 Current (A) : 41 A
 Voltage (V) : 800 V
 Dimensions Width
 (Thickness) x Length : 9 x 49 mm
 Height with
 Din 35 x 7.5 mm Rail : 38 mm



	Part #	Description	Std. Pack	UOM	List Price in	Group
TERMINAL BLOCK	CSB3/N3UL	6mm ² M3 STUD TYP SCREW/NUT DRIVER OPRTD	100	EA	33.10	B
	CSB3/N3ULBU	6mm ² M3 STUD SCRW/NUT DRVR OPRTD BLU	100	EA	36.40	B
	CSB3/N3ULBK	6mm ² M3 STUD TYP SCRW/NUT DRVR OPRTD BLK	100	EA	36.40	B
	CSB3/N3ULR	6mm ² M3 STUD TYP SCRW/NUT DRVR OPRTD RED	100	EA	36.40	B
	CSB3/N3ULY	6mm ² M3 STUD TYP SCRW/NUT DRVR OPRTD YLW	100	EA	36.40	B
	CSB3/N3ULGN	6mm ² M3 STUD SCREW/NUT DRIVER OPRTD GRN	100	EA	36.40	B
ACCESSORIES	EPCBS3U	END PLATE FOR CBS & CSB SERIES TB	50	EA	9.80	B
	CA728/2	2P PRE ASSEM SHRT LINK FOR 9mm WIDE TB	50	EA	16.30	B
	CA728/3	3P PRE ASSEM SHRT LINK FOR 9mm WIDE TB	50	EA	24.40	B
	CA728/4	4P PRE ASSEM SHRT LINK FOR 9mm WIDE TB	50	EA	32.40	B
	CA728/10	10P PRE ASSEM SHRT LINK FOR 9mm WIDE TB	10	EA	80.80	B
	MC9	MARKER CARD 9 MM PITCH WITH 42 TAGS	1	PKT	510.00	B
	MC9WP	PRNTD MARKER CARD 9 MM PITCH 42 TAGS	1	PKT	592.00	B

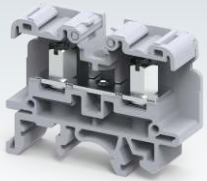


Wire Range : 1.5 - 10.0 mm²
 Current (A) : 57 A
 Voltage (V) : 1000 V
 Dimensions Width
 (Thickness) x Length : 13 x 49 mm
 Height with
 Din 35 x 7.5 mm Rail : 38 mm






	Part #	Description	Std. Pack	UOM	List Price in	Group
TERMINAL BLOCK	CSB4/N4UN	10mm ² M4 STUD SCREW/NUT DRIVER OPRTD	100	EA	43.40	B
ACCESSORIES	EPCBS3U	END PLATE FOR CBS & CSB SERIES TB	50	EA	9.80	B
	CA772/2	2P PRE ASSEM SHRT LINK FR 13mm WD TB	100	EA	20.70	B
	CA772/4	4P PRE ASSEM SHRT LINK FR 13mm WD TB	100	EA	41.40	B
	CA772/10	10P PRE ASSEM SHRT LINK FR 13mm WIDE TB	10	EA	103.30	B
	CA514/2-2	2P INS REM SHORTING LNK FR 13mm WIDE TB	100	EA	26.40	B
	CA514/2-4	4P INS REM SHORTING LNK FR 13mm WIDE TB	50	EA	52.80	B
	MC10	MARKER CARD 9.95MM PITCH WITH 42 TAGS	1	PKT	510.00	B
	MC10WP	PRNTD MARKER CARD 9.95MM PITCH 42 TAGS	1	PKT	592.00	B

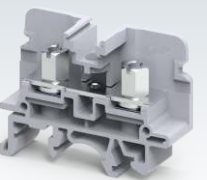
STUD & BOLT TYPE TERMINAL BLOCKS












Wire Range : 1.5 - 10 mm²
 Current (A) : 57 A
 Voltage (V) : 1000 V
 Dimensions Width
 (Thickness) x Length : 13 x 49 mm
 Height with
 Din 35 x 7.5 mm Rail : 38 mm

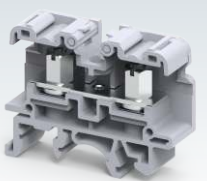
	Part #	Description	Std. Pack	UOM	List Price in	Group
TERMINAL BLOCK	CSB4/N4USH	10mm ² M4 STUD SHROUD TYP SCRW/NUT DRV OP	100	EA	46.90	B
ACCESSORIES	EPCBS3U	END PLATE FOR CBS & CSB SERIES TB	50	EA	9.80	B
	CA772/2	2P PRE ASSEM SHRT LINK FR 13mm WD TB	100	EA	20.70	B
	CA772/3	3P PRE ASSEM SHRT LINK FR 13mm WD TB	50	EA	31.10	B
	CA772/4	4P PRE ASSEM SHRT LINK FR 13mm WD TB	50	EA	41.40	B
	CA772/10	10P PRE ASSEM SHRT LINK FR 13mm WIDE TB	10	EA	103.30	B
	MC9	MARKER CARD 9 MM PITCH WITH 42 TAGS	1	PKT	510.00	B
	MC9WP	PRNTD MARKER CARD 9 MM PITCH 42 TAGS	1	PKT	592.00	B






Wire Range : 1.5 - 16.0 mm²
 Current (A) : 76 A
 Voltage (V) : 1000 V
 Dimensions Width
 (Thickness) x Length : 13 x 49 mm
 Height with
 Din 35 x 7.5 mm Rail : 38 mm

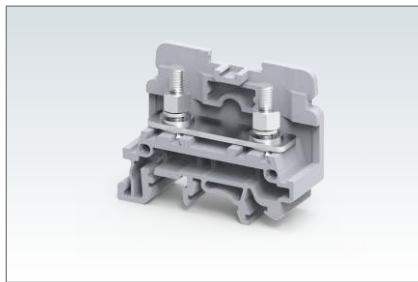
	Part #	Description	Std. Pack	UOM	List Price in	Group
TERMINAL BLOCK	CSB5/N5U	16mm ² M4 STUD SCREW/NUT DRIVER OPRTD	100	EA	48.80	B
	CSB5/N5UBU	16mm ² M4 STUD SCREW/NUT DRIV OPRTD BLU	100	EA	53.70	B
	CSB5/N5UBK	16mm ² M4 STUD SCREW/NUT DRIV OPRTD BLK	100	EA	53.70	B
	CSB5/N5UR	16mm ² M4 STUD SCREW/NUT DRIV OPRTD RED	100	EA	53.70	B
	CSB5/N5UY	16mm ² M4 STUD SCREW/NUT DRIV OPRTD YLW	100	EA	53.70	B
	CSB5/N5UGN	16mm ² M4 STUD SCREW/NUT DRIV OPRTD GRN	100	EA	53.70	B
ACCESSORIES	EPCBS3U	END PLATE FOR CBS & CSB SERIES TB	50	EA	9.80	B
	CA772/2	2P PRE ASSEM SHRT LINK FR 13mm WD TB	100	EA	20.70	B
	CA772/3	3P PRE ASSEM SHRT LINK FR 13mm WD TB	50	EA	31.10	B
	CA772/4	4P PRE ASSEM SHRT LINK FR 13mm WD TB	50	EA	41.40	B
	CA772/10	10P PRE ASSEM SHRT LINK FR 13mm WIDE TB	10	EA	103.30	B
	MC9	MARKER CARD 9 MM PITCH WITH 42 TAGS	1	PKT	510.00	B
	MC9WP	PRNTD MARKER CARD 9 MM PITCH 42 TAGS	1	PKT	592.00	B



Wire Range : 1.5 - 16 mm²
 Current (A) : 76 A
 Voltage (V) : 1000 V
 Dimensions Width
 (Thickness) x Length : 13 x 49 mm
 Height with
 Din 35 x 7.5 mm Rail : 38 mm

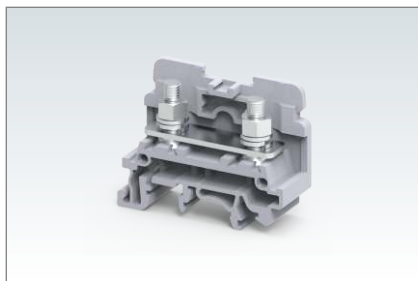
	Part #	Description	Std. Pack	UOM	List Price in	Group
TERMINAL BLOCK	CSB5/N5USH	16mm ² M5 STUD SHROUD TYP SCRW/NUT DRV OP	100	EA	53.60	B
ACCESSORIES	EPCBS3U	END PLATE FOR CBS & CSB SERIES TB	50	EA	9.80	B
	CA772/2	2P PRE ASSEM SHRT LINK FR 13mm WD TB	100	EA	20.70	B
	CA772/3	3P PRE ASSEM SHRT LINK FR 13mm WD TB	50	EA	31.10	B
	CA772/4	4P PRE ASSEM SHRT LINK FR 13mm WD TB	50	EA	41.40	B
	CA772/10	10P PRE ASSEM SHRT LINK FR 13mm WIDE TB	10	EA	103.30	B
	MC9	MARKER CARD 9 MM PITCH WITH 42 TAGS	1	PKT	510.00	B
	MC9WP	PRNTD MARKER CARD 9 MM PITCH 42 TAGS	1	PKT	592.00	B



Wire Range : 1.5 - 10 mm²
 Current (A) : 57 A
 Voltage (V) : 1000 V
 Dimensions Width
 (Thickness) x Length : 17 x 50 mm
 Height with
 Din 35 x 7.5 mm Rail : 40.7 mm



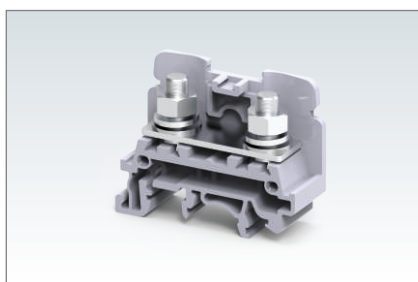
	Part #	Description	Std. Pack	UOM	List Price in	Group
TERMINAL BLOCK	CSTSN4U	10mm ² M4 STUD NUT DRIVER OPERATED TB	100	EA	44.10	B
	CSTSN4UBU	10mm ² M4 STUD NUT DRIVER OPTD TB BLUE	100	EA	48.50	B
	CSTSN4UBK	10mm ² M4 STUD NUT DRIVER OPTD TB BLACK	100	EA	48.50	B
	CSTSN4UR	10mm ² M4 STUD NUT DRIVER OPTD TB RED	100	EA	48.50	B
	CSTSN4UY	10mm ² M4 STUD NUT DRIVER OPTD TB YLW	100	EA	48.50	B
	CSTSN4UGN	10mm ² M4 STUD NUT DRIVER OPTD TB GREEN	100	EA	48.50	B
ACCESSORIES	EPCSTSU	END PLATE FOR CSTSN4/N5U	50	EA	10.50	B
	MC2B4	MARKER CARD 5.95MM PITCH WITH 72 TAGS	1	PKT	698.00	B
	MC2B4WP	PRNTD MARKER CARD 5.95MM PITCH 72 TAGS	1	PKT	806.00	B



Wire Range : 1.5 - 16 mm²
 Current (A) : 76 A
 Voltage (V) : 1000 V
 Dimensions Width
 (Thickness) x Length : 17 x 50 mm
 Height with
 Din 35 x 7.5 mm Rail : 40.7 mm



	Part #	Description	Std. Pack	UOM	List Price in	Group
TERMINAL BLOCK	CSTSN5U	16mm ² M5 STUD NUT DRIVER OPERATED TB	100	EA	48.50	B
	CSTSN5UBU	16mm ² M5 STUD NUT DRIVER OPTD TB BLUE	100	EA	53.40	B
	CSTSN5UBK	16mm ² M5 STUD NUT DRIVER OPTD TB BLACK	100	EA	53.40	B
	CSTSN5UR	16mm ² M5 STUD NUT DRIVER OPTD TB RED	100	EA	53.40	B
	CSTSN5UY	16mm ² M5 STUD NUT DRIVER OPTD TB YELLOW	100	EA	53.40	B
	CSTSN5UGN	16mm ² M5 STUD NUT DRIVER OPTD TB GRN	100	EA	53.40	B
ACCESSORIES	EPCSTSU	END PLATE FOR CSTSN4/N5U	50	EA	10.50	B
	MC2B4	MARKER CARD 5.95MM PITCH WITH 72 TAGS	1	PKT	698.00	B
	MC2B4WP	PRNTD MARKER CARD 5.95MM PITCH 72 TAGS	1	PKT	806.00	B

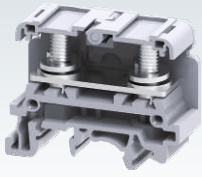


Wire Range : 1.5 - 35.0 mm²
 Current (A) : 125 A
 Voltage (V) : 1000 V
 Dimensions Width
 (Thickness) x Length : 17 x 50 mm
 Height with
 Din 35 x 7.5 mm Rail : 40.7 mm



	Part #	Description	Std. Pack	UOM	List Price in	Group
TERMINAL BLOCK	CSTSN6U	35mm ² M6 STUD NUT DRIVER OPERATED TB	100	EA	69.60	B
	CSTSN6UBU	35mm ² M6 STUD NUT DRIVER OPTD TB BLUE	100	EA	76.60	B
	CSTSN6UBK	35mm ² M6 STUD NUT DRIVER OPTD TB BLACK	100	EA	76.60	B
	CSTSN6UR	35mm ² M6 STUD NUT DRIVER OPTD TB RED	100	EA	76.60	B
	CSTSN6UY	35mm ² M6 STUD NUT DRIVER OPTD TB YLW	100	EA	76.60	B
	CSTSN6UGN	35mm ² M6 STUD NUT DRIVER OPTD TB GREEN	100	EA	76.60	B
ACCESSORIES	EPCSTSU	END PLATE FOR CSTSN4/N5U	50	EA	10.50	B
	MC2B4	MARKER CARD 5.95MM PITCH WITH 72 TAGS	1	PKT	698.00	B
	MC2B4WP	PRNTD MARKER CARD 5.95MM PITCH 72 TAGS	1	PKT	806.00	B

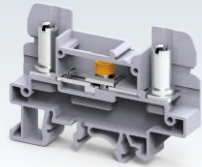
STUD & BOLT TYPE TERMINAL BLOCKS



Wire Range : 1.5 - 35 mm²
 Current (A) : 125 A
 Voltage (V) : 1000 V
 Dimensions Width
 (Thickness) x Length : 17 x 50 mm
 Height with
 Din 35 x 7.5 mm Rail : 42.2 mm



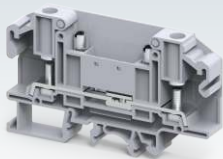
	Part #	Description	Std. Pack	UOM	List Price in	Group
TERMINAL BLOCK	CSTSN6USH	35mm ² M6 STUD SHROUD TYP NUT DRIVER OPRT	100	EA	78.20	B
ACCESSORIES	EPCSTSU	END PLATE FOR CSTSN4/N5U	50	EA	10.50	B
	MC2B4	MARKER CARD 5.95MM PITCH WITH 72 TAGS	1	PKT	698.00	B
	MC2B4WP	PRNTD MARKER CARD 5.95MM PITCH 72 TAGS	1	PKT	806.00	B



Wire Range : 1.5 - 6.0 mm²
 Current (A) : 41 A
 Voltage (V) : 1000 V
 Dimensions Width
 (Thickness) x Length : 11 x 67.2 mm
 Height with
 Din 35 x 7.5 mm Rail : 48.2 mm



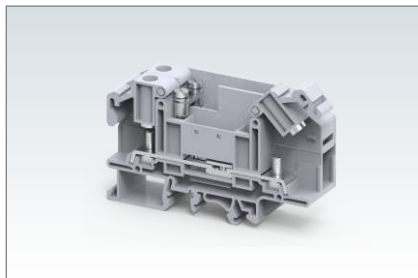
	Part #	Description	Std. Pack	UOM	List Price in	Group
TERMINAL BLOCK	CBDT4UN	6 mm ² M4 BR STUD SLIDE LINK DISCONNECT TB	50	EA	69.70	B
	CBDT4UNS	6 mm ² M4 BR STUD SLIDE LINK DISCONNECT TB	50	EA	64.50	B
ACCESSORIES	EPCBDT4UN	END PLATE FOR CBDT4UN	50	EA	14.70	B
	CA512/13-2	2P REM SHORTING LINK FOR 11mm WIDE TB	100	EA	22.60	B
	CA512/13-3	3P REM SHORTING LINK FOR 11mm WIDE TB	50	EA	33.80	B
	CA512/13-4	4P REM SHORTING LINK FOR 11mm WIDE TB	50	EA	44.90	B
	MC10	10 mm WIDE MARKER BLANK	1	PKT	510.00	B
	MC10WP	10 mm WIDE MARKER PRINTED	1	PKT	592.00	B



Wire Range : 1.5 - 6.0 mm²
 Current (A) : 41 A
 Voltage (V) : 1000 V
 Dimensions Width
 (Thickness) x Length : 11 x 86 mm
 Height with
 Din 35 x 7.5 mm Rail : 51.5 mm



	Part #	Description	Std. Pack	UOM	List Price in	Group
TERMINAL BLOCK	STH4DT	6 mm ² DISCONNECT CAPTIVE NUT STUD TYP TB	50	EA	84.00	B
	STH4DTBU	6 mm ² DISCON CAPTIVE NUT STUD TYP TB BLU	50	EA	92.40	B
	STH4DTBK	6 mm ² DISCON CAPTIVE NUT STUD TYP TB BLK	50	EA	92.40	B
	STH4DTR	6 mm ² DISCON CAPTIVE NUT STUD TYP TB RED	50	EA	92.40	B
	STH4DTY	6 mm ² DISCON CAPTIVE NUT STUD TYP TB YLW	50	EA	92.40	B
	STH4DTGN	6 mm ² DISCON CAPTIVE NUT STUD TYP TB GRN	50	EA	92.40	B
ACCESSORIES	EPSTH4DT	END PLATE FOR STH4DT	50	EA	15.50	B
	MC10	MARKER CARD 9.95MM PITCH WITH 42 TAGS	1	PKT	510.00	B
	MC10WP	PRNTD MARKER CARD 9.95MM PITCH 42 TAGS	1	PKT	592.00	B



Wire Range : 1.5 - 6 mm²
 Current (A) : 34 A
 Voltage (V) : 1000 V
 Dimensions Width
 (Thickness) x Length : 22 x 86 mm
 Height with
 Din 35 x 7.5 mm Rail : 52.2 mm



	Part #	Description	Std. Pack	UOM	List Price in	Group
TERMINAL BLOCK	STH4DTS	6 mm ² DISCON CAPTIVE NUT INT SHRTD TB	24	EA	171.00	B
ACCESSORIES	EPSTH4DT	END PLATE FOR STH4DT	50	EA	15.50	B
	MC10	MARKER CARD 9.95MM PITCH WITH 42 TAGS	1	PKT	510.00	B
	MC10WP	PRNTD MARKER CARD 9.95MM PITCH 42 TAGS	1	PKT	592.00	B



Wire Range : 6.0 - 50.0 mm²
 Current (A) : 150 A
 Voltage (V) : 1000 V
 Dimensions Width
 (Thickness) x Length : 32 x 75 mm
 Height with
 Din 35 x 7.5 mm Rail : 47.3 mm



	Part #	Description	Std. Pack	UOM	List Price in	Group
TERMINAL BLOCK	CBB35/50	50 mm ² FD THRU BOLT/NUT TERMINAL BLOCK	10	EA	152.70	B
	CBB35/50LS	50 mm ² FEED THRU SLOTTED BOLT TERMINAL	10	EA	152.70	B
	CBB35/50BU	50 mm ² FEED THRU BOLT/NUT TB BLUE	10	EA	168.00	B
	CBB35/50BK	50 mm ² FEED THRU BOLT/NUT TB BLACK	10	EA	168.00	B
	CBB35/50R	50 mm ² FEED THRU BOLT/NUT TB RED	10	EA	168.00	B
	CBB35/50Y	50 mm ² FEED THRU BOLT/NUT TB YELLOW	10	EA	168.00	B
	CBB35/50GN	50 mm ² FEED THRU BOLT/NUT TB GREEN	10	EA	168.00	B
ACCESSORIES	PPCBB	PARTITION PLATE FOR CBB35/50 /CBB70	10	EA	34.00	B
	MC10	MARKER CARD 9.95MM PITCH WITH 42 TAGS	1	PKT	510.00	B
	MC10WP	PRNTD MARKER CARD 9.95MM PITCH 42 TAGS	1	PKT	592.00	B



Wire Range : 6 - 70 mm²
 Current (A) : 192 A
 Voltage (V) : 1000 V
 Dimensions Width
 (Thickness) x Length : 38 x 92 mm
 Height with
 Din 35 x 7.5 mm Rail : 47.3 mm



	Part #	Description	Std. Pack	UOM	List Price in	Group
TERMINAL BLOCK	CBB70	70 mm ² FD THRU BOLT/NUT TERMINAL BLOCK	10	EA	306.40	B
	CBB70LS	70 mm ² FEED THRU SLOTTED BOLT TERMINAL	10	EA	306.40	B
	CBB70BU	70 mm ² FEED THRU BOLT/NUT TB BLUE	10	EA	337.00	B
	CBB70BK	70 mm ² FEED THRU BOLT/NUT TB BLACK	10	EA	337.00	B
	CBB70R	70 mm ² FEED THRU BOLT/NUT TB RED	10	EA	337.00	B
	CBB70Y	70 mm ² FEED THRU BOLT/NUT TB YELLOW	10	EA	337.00	B
	CBB70GN	70 mm ² FEED THRU BOLT/NUT TB GREEN	10	EA	337.00	B
ACCESSORIES	PPCBB	PARTITION PLATE FOR CBB35/50 /CBB70	10	EA	34.00	B
	MC16	MARKER CARD 15.95MM PITCH WITH 30 TAGS	1	PKT	415.00	B
	MC16WP	PRNTD MARKER CARD 15.95MM PITCH 30 TAGS	1	PKT	485.00	B

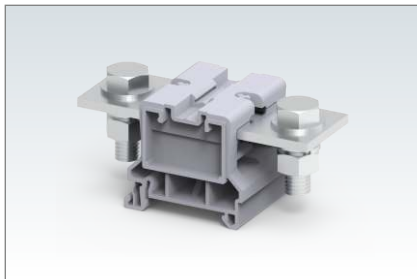
STUD & BOLT TYPE TERMINAL BLOCKS



Wire Range : 16.0 - 95 mm²
 Current (A) : 232 A
 Voltage (V) : 1000 V
 Dimensions Width
 (Thickness) x Length : 38 x 92 mm
 Height with
 Din 35 x 7.5 mm Rail : 47.3 mm



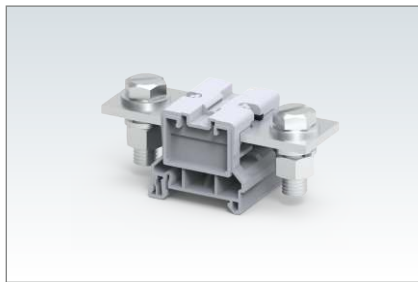
	Part #	Description	Std. Pack	UOM	List Price in	Group
TERMINAL BLOCK	CBB95	95 mm ² FD THRU BOLT/NUT TERMINAL BLOCK	10	EA	315.00	B
	CBB95LS	95 mm ² FEED THRU SLOTTED BOLT TERMINAL	10	EA	315.00	B
	CBB95BU	95 mm ² FEED THRU BOLT/NUT TB BLUE	10	EA	346.50	B
	CBB95BK	95 mm ² FEED THRU BOLT/NUT TB BLACK	10	EA	346.50	B
	CBB95R	95 mm ² FEED THRU BOLT/NUT TB RED	10	EA	346.50	B
	CBB95Y	95 mm ² FEED THRU BOLT/NUT TB YELLOW	10	EA	346.50	B
	CBB95GN	95 mm ² FEED THRU BOLT/NUT TB GREEN	10	EA	346.50	B
ACCESSORIES	PPCBB1	PARTITION PLATE FOR CBB95/120/150/185	10	EA	39.30	B
	MC16	MARKER CARD 15.95MM PITCH WITH 30 TAGS	1	PKT	415.00	B
	MC16WP	PRNTD MARKER CARD 15.95MM PITCH 30 TAGS	1	PKT	485.00	B



Wire Range : 16.0 - 120 mm²
 Current (A) : 269 A
 Voltage (V) : 1000 V
 Dimensions Width
 (Thickness) x Length : 48 x 100 mm
 Height with
 Din 35 x 7.5 mm Rail : 47.3 mm



	Part #	Description	Std. Pack	UOM	List Price in	Group
TERMINAL BLOCK	CBB120	120 mm ² FD THRU BOLT/NUT TERMINAL BLOCK	10	EA	428.80	B
	CBB120LS	120 mm ² FEED THRU SLOTTED BOLT TERMINAL	10	EA	428.80	B
	CBB120BU	120 mm ² FEED THRU BOLT/NUT TB BLUE	10	EA	471.70	B
	CBB120BK	120 mm ² FEED THRU BOLT/NUT TB BLACK	10	EA	471.70	B
	CBB120R	120 mm ² FEED THRU BOLT/NUT TB RED	10	EA	471.70	B
	CBB120Y	120 mm ² FEED THRU BOLT/NUT TB YELLOW	10	EA	471.70	B
	CBB120GN	120 mm ² FEED THRU BOLT/NUT TB GREEN	10	EA	471.70	B
ACCESSORIES	PPCBB1	PARTITION PLATE FOR CBB95/120/150/185	10	EA	39.30	B
	MC16	MARKER CARD 15.95MM PITCH WITH 30 TAGS	1	PKT	415.00	B
	MC16WP	PRNTD MARKER CARD 15.95MM PITCH 30 TAGS	1	PKT	485.00	B



Wire Range : 16 - 150 mm²
 Current (A) : 309 A
 Voltage (V) : 1000 V
 Dimensions Width
 (Thickness) x Length : 48 x 110 mm
 Height with
 Din 35 x 7.5 mm Rail : 47.3 mm



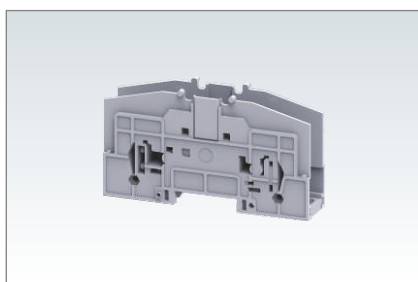
	Part #	Description	Std. Pack	UOM	List Price in	Group
TERMINAL BLOCK	CBB150	150 mm ² FD THRU BOLT/NUT TERMINAL BLOCK	10	EA	531.50	B
	CBB150LS	150 mm ² FEED THRU SLOTTED BOLT TERMINAL	10	EA	531.50	B
	CBB150BU	150 mm ² FEED THRU BOLT/NUT TB BLUE	10	EA	584.70	B
	CBB150BK	150 mm ² FEED THRU BOLT/NUT TB BLACK	10	EA	584.70	B
	CBB150R	150 mm ² FEED THRU BOLT/NUT TB RED	10	EA	584.70	B
	CBB150Y	150 mm ² FEED THRU BOLT/NUT TB YELLOW	10	EA	584.70	B
ACCESSORIES	PPCBB1	PARTITION PLATE FOR CBB95/120/150/185	10	EA	39.30	B
	MC16	MARKER CARD 15.95MM PITCH WITH 30 TAGS	1	PKT	415.00	B
	MC16WP	PRNTD MARKER CARD 15.95MM PITCH 30 TAGS	1	PKT	485.00	B



Wire Range : 16 - 18.5 mm²
 Current (A) : 353 A
 Voltage (V) : 1000 V
 Dimensions Width
 (Thickness) x Length : 48 x 110 mm
 Height with
 Din 35 x 7.5 mm Rail : 47.3 mm



	Part #	Description	Std. Pack	UOM	List Price in	Group
TERMINAL BLOCK	CBB185	185 mm ² FD THRU BOLT/NUT TERMINAL BLOCK	10	EA	698.80	B
	CBB185LS	185 mm ² FEED THRU SLOTTED BOLT TERMINAL	10	EA	698.80	B
	CBB185BU	185 mm ² FEED THRU BOLT/NUT TB BLUE	10	EA	768.70	B
	CBB185BK	185 mm ² FEED THRU BOLT/NUT TB BLACK	10	EA	768.70	B
	CBB185R	185 mm ² FEED THRU BOLT/NUT TB RED	10	EA	768.70	B
	CBB185Y	185 mm ² FEED THRU BOLT/NUT TB YELLOW	10	EA	768.70	B
	CBB185GN	185 mm ² FEED THRU BOLT/NUT TB GREEN	10	EA	768.70	B
ACCESSORIES	PPCBB1	PARTITION PLATE FOR CBB95/120/150/185	10	EA	39.30	B
	MC16	MARKER CARD 15.95MM PITCH WITH 30 TAGS	1	PKT	415.00	B
	MC16WP	PRNTD MARKER CARD 15.95MM PITCH 30 TAGS	1	PKT	485.00	B

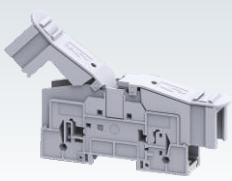


Wire Range : 1.5 - 50.0 mm²
 Current (A) : 150 A
 Voltage (V) : 1000 V
 Dimensions Width
 (Thickness) x Length : 25 x 113 mm
 Height with
 Din 35 x 7.5 mm Rail : 61 mm












	Part #	Description	Std. Pack	UOM	List Price in	Group
TERMINAL BLOCK	PTB35/50	50 mm ² FEED THRU BARRIER TYPE BOLT TB	10	EA	214.20	B
	PTB35/50BU	50 mm ² FEED THRU BARRIER TYP BOLT TB BLU	10	EA	235.60	B
	PTB35/50BK	50 mm ² FEED THRU BARRIER TYP BOLT TB BLK	10	EA	235.60	B
	PTB35/50R	50 mm ² FEED THRU BARRIER TYP BOLT TB RED	10	EA	235.60	B
	PTB35/50Y	50 mm ² FEED THRU BARRIER TYP BOLT TB YLW	10	EA	235.60	B
	PTB35/50GN	50 mm ² FEED THRU BARRIER TYP BOLT TB GRN	10	EA	235.60	B
ACCESSORIES	PSPTB35/50	PROTECTIVE SHROUD FOR PTB35/50	20	EA	19.50	B
	MC9	MARKER CARD 9 MM PITCH WITH 42 TAGS	1	PKT	510.00	B
	MC9WP	PRNTD MARKER CARD 9 MM PITCH 42 TAGS	1	PKT	592.00	B

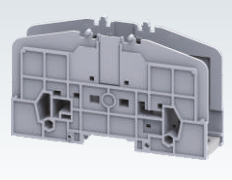
STUD & BOLT TYPE TERMINAL BLOCKS












Wire Range : 1.5 - 50 mm²
 Current (A) : 150 A
 Voltage (V) : 1000 V
 Dimensions Width
 (Thickness) x Length : 25 x 169 mm
 Height with
 Din 35 x 7.5 mm Rail : 68.3 mm

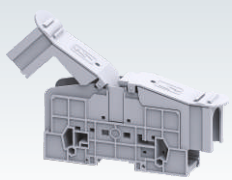
	Part #	Description	Std. Pack	UOM	List Price in	Group
TERMINAL BLOCK	PTB35/50SH	50 mm ² FT BARRIER TYPE SHROUDED BOLT TB	10	EA	242.00	B
	PTB35/50SHBU	50 mm ² BARRIER TYPE SHROUD BOLT TB BLU	10	EA	266.20	B
	PTB35/50SHBK	50 mm ² BARRIER TYPE SHROUD BOLT TB BLK	10	EA	266.20	B
	PTB35/50SHR	50 mm ² BARRIER TYPE SHROUD BOLT TB RED	10	EA	266.20	B
	PTB35/50SHY	50 mm ² BARRIER TYPE SHROUD BOLT TB YLW	10	EA	266.20	B
	PTB35/50SHGN	50 mm ² BARRIER TYPE SHROUD BOLT TB GREEN	10	EA	266.20	B
ACCESSORIES	MC9	MARKER CARD 9 MM PITCH WITH 42 TAGS	1	PKT	510.00	B
	MC9WP	PRNTD MARKER CARD 9 MM PITCH 42 TAGS	1	PKT	592.00	B












Wire Range : 1.5 - 95.0 mm²
 Current (A) : 232 A
 Voltage (V) : 1000 V
 Dimensions Width
 (Thickness) x Length : 32 x 130 mm
 Height with
 Din 35 x 7.5 mm Rail : 76.6 mm

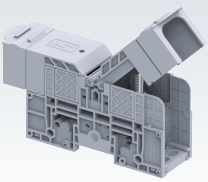
	Part #	Description	Std. Pack	UOM	List Price in	Group
TERMINAL BLOCK	PTB70/95	95 mm ² FEED THRU BARRIER TYPE BOLT TB	10	EA	309.80	B
	PTB70/95BU	95 mm ² FEED THRU BARRIER TYP BOLT TB BLU	10	EA	340.80	B
	PTB70/95BK	95 mm ² FEED THRU BARRIER TYP BOLT TB BLK	10	EA	340.80	B
	PTB70/95R	95 mm ² FEED THRU BARRIER TYP BOLT TB RED	10	EA	340.80	B
	PTB70/95Y	95 mm ² FEED THRU BARRIER TYP BOLT TB YLW	10	EA	340.80	B
	PTB70/95GN	95 mm ² FEED THRU BARRIER TYP BOLT TB GRN	10	EA	340.80	B
ACCESSORIES	PSPTB70/95	PROTECTIVE SHROUD FR PTB70/95	20	EA	29.90	B
	MC9	MARKER CARD 9 MM PITCH WITH 42 TAGS	1	PKT	510.00	B
	MC9WP	PRNTD MARKER CARD 9 MM PITCH 42 TAGS	1	PKT	592.00	B



Wire Range : 1.5 - 95 mm²
 Current (A) : 232 A
 Voltage (V) : 1000 V
 Dimensions Width
 (Thickness) x Length : 32 x 192 mm
 Height with
 Din 35 x 7.5 mm Rail : 84.5 mm

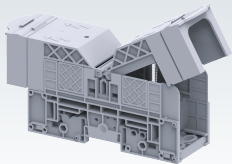
	Part #	Description	Std. Pack	UOM	List Price in	Group
TERMINAL BLOCK	PTB70/95SH	95 mm ² FT BARRIER TYPE SHROUDED BOLT TB	10	EA	372.80	B
	PTB70/95SHBU	95 mm ² BARRIER TYPE SHROUD BOLT TB BLU	10	EA	410.10	B
	PTB70/95SHBK	95 mm ² BARRIER TYPE SHROUD BOLT TB BLK	10	EA	410.10	B
	PTB70/95SHR	95 mm ² BARRIER TYPE SHROUD BOLT TB RED	10	EA	410.10	B
	PTB70/95SHY	95 mm ² BARRIER TYPE SHROUD BOLT TB YLW	10	EA	410.10	B
ACCESSORIES	MC9	MARKER CARD 9 MM PITCH WITH 42 TAGS	1	PKT	510.00	B
	MC9WP	PRNTD MARKER CARD 9 MM PITCH 42 TAGS	1	PKT	592.00	B



Wire Range : 6 - 150 mm²
 Current (A) : 310 A
 Voltage (V) : 1000 V
 Dimensions Width (Thickness) x Length : 42 x 186 mm
 Height with Din 35 x 7.5 mm Rail : 79.8 mm

IECEE CE RUS

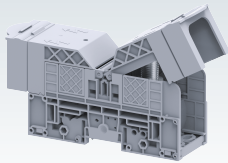
	Part #	Description	Std. Pack	UOM	List Price in	Group
TERMINAL BLOCK	PTB120/150SH	150 mm ² FT BARRIER TYPE SHROUDED BOLT TB	5	EA	588.20	B
ACCESSORIES	MC9	MARKER CARD 9 MM PITCH WITH 42 TAGS	1	PKT	510.00	B
	MC9WP	PRNTD MARKER CARD 9 MM PITCH 42 TAGS	1	PKT	592.00	B



Wire Range : 10 - 240 mm²
 Current (A) : 420 A
 Voltage (V) : 1000 V
 Dimensions Width (Thickness) x Length : 55 x 218.6 mm
 Height with Din 35 x 7.5 mm Rail : 87.4 mm

IECEE CE RUS

	Part #	Description	Std. Pack	UOM	List Price in	Group
TERMINAL BLOCK	PTB185/240SH	240 mm ² FT BARRIER TYPE SHROUDED BOLT TB	2	EA	955.50	B
ACCESSORIES	MC16	MARKER CARD 15.95MM PITCH WITH 30 TAGS	1	PKT	415.00	B
	MC16WP	PRNTD MARKER CARD 15.95MM PITCH 30 TAGS	1	PKT	485.00	B

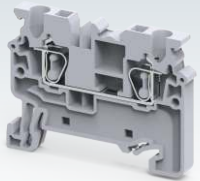


Wire Range : 10 - 300 mm²
 Current (A) : 520 A
 Voltage (V) : 1000 V
 Dimensions Width (Thickness) x Length : 55 x 218.6 mm
 Height with Din 35 x 7.5 mm Rail : 87.4 mm










IECEE CE RUS

	Part #	Description	Std. Pack	UOM	List Price in	Group
TERMINAL BLOCK	PTB300SH	300 mm ² FT BARRIER TYPE SHROUDED BOLT TB	5	EA	1207.90	B
ACCESSORIES	MC16	MARKER CARD 15.95MM PITCH WITH 30 TAGS	1	PKT	415.00	B
	MC16WP	PRNTD MARKER CARD 15.95MM PITCH 30 TAGS	1	PKT	485.00	B

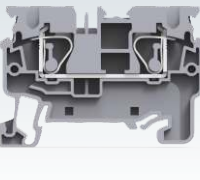
CX SERIES SPRING CLAMP TERMINAL BLOCKS












Wire Range : 0.2 - 2.5 mm²
 Current (A) : 24 A
 Voltage (V) : 1000 V
 Dimensions Width (Thickness) x Length : 5 x 50 mm
 Height with Din 35 x 7.5 mm Rail : 38.2 mm


	Part #	Description	Std. Pack	UOM	List Price in	Group
TERMINAL BLOCK	CX2.5	2.5 mm ² FEED THRU SPRING CLAMP TERMINAL	100	EA	11.70	A
	CX2.5BU	2.5 mm ² FEED THRU SPRING CLAMP TB BLUE	100	EA	12.90	A
	CX2.5BK	2.5 mm ² FEED THRU SPRING CL TB BLK	100	EA	12.90	A
	CX2.5R	2.5 mm ² FEED THRU SPRING CL TB RED	100	EA	12.90	A
	CX2.5Y	2.5 mm ² FEED THRU SPR CL TB YELLOW	100	EA	12.90	A
	CX2.5GN	2.5 mm ² FEED THRU SP CL TERMINAL GRN	100	EA	12.90	A
ACCESSORIES	EPCX2.5	END PLATE FOR CX2.5/CXG2.5	50	EA	6.10	A
	PPCX4	PARTITION PLATE FOR CX4	50	EA	9.20	A
	JX2.5/2	2 POLE SHRT LNK FR 5MM WIDE SP CL TB	100	EA	10.20	A
	JX2.5/3	3 POLE SHRT LNK FR 5MM WIDE SP CL TB	50	EA	17.70	A
	JX2.5/4	4 POLE SHRT LNK FR 5MM WIDE SP CL TB	50	EA	30.30	A
	JX2.5/10	10 POLE SHRT LNK FR 5MM WIDE SP CL TB	10	EA	78.50	A
	MC5	MARKER CARD 4.95MM PITCH WITH 84 TAGS	1	PKT	817.00	B
	MC5WP	PRNTD MARKER CARD 4.95MM PITCH 84 TAGS	1	PKT	946.00	B












Wire Range : 0.2 - 4 mm²
 Current (A) : 32 A
 Voltage (V) : 1000 V
 Dimensions Width (Thickness) x Length : 6 x 55 mm
 Height with Din 35 x 7.5 mm Rail : 38 mm

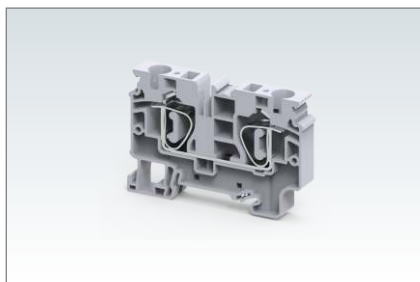
	Part #	Description	Std. Pack	UOM	List Price in	Group
TERMINAL BLOCK	CX4	4 mm ² FEED THRU SPRING CL TERMINAL	100	EA	20.00	A
	CX4BU	4 mm ² FEED THRU SPRING CLAMP TB BLUE	100	EA	22.00	A
	CX4BK	4 mm ² FEED THRU SPRING CL TB BLACK	100	EA	22.00	A
	CX4R	4 mm ² FEED THRU SPRING CLAMP TB RED	100	EA	22.00	A
	CX4Y	4 mm ² FEED THRU SPRING CL TB YELLOW	100	EA	22.00	A
	CX4GN	4 mm ² FEED THRU SPRING CL TB GREEN	100	EA	22.00	A
ACCESSORIES	EPCX4	END PLATE FOR CX4 & CXG4	50	EA	7.30	A
	PPCX4	PARTITION PLATE FOR CX4	50	EA	9.20	A
	JX4/2	2 POLE SHRT LNK FR 6MM WIDE SP CL TB	100	EA	17.40	A
	JX4/3	3 POLE SHRT LNK FR 6MM WIDE SP CL TB	50	EA	29.90	A
	JX4/4	4 POLE SHRT LNK FR 6MM WIDE SP CL TB	50	EA	44.90	A
	JX4/10	10 POLE SHRT LNK FR 6MM WIDE SP CL TB	10	EA	104.80	A
	MC6	MARKER CARD 5.95MM PITCH WITH 72 TAGS	1	PKT	698.00	B
	MC6WP	PRNTD MARKER CARD 5.95MM PITCH 72 TAGS	1	PKT	806.00	B



Wire Range : 0.2 - 6.0 mm²
 Current (A) : 41 A
 Voltage (V) : 1000 V
 Dimensions Width (Thickness) x Length : 8 x 62.7 mm
 Height with Din 35 x 7.5 mm Rail : 43 mm

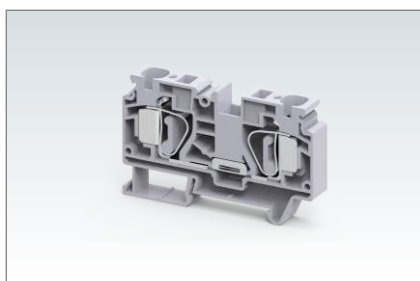
	Part #	Description	Std. Pack	UOM	List Price in	Group
TERMINAL BLOCK	CX6	6 mm ² FEED THRU SPRING CLAMP TERMINAL	100	EA	38.60	A
	CX6BU	6 mm ² FEED THRU SPRING CLAMP TB BLUE	100	EA	42.50	A
	CX6BK	6 mm ² FEED THRU SPRING CL TB BLACK	100	EA	42.50	A
	CX6R	6 mm ² FEED THRU SPRING CLAMP TB RED	100	EA	42.50	A
	CX6Y	6 mm ² FEED THRU SPRING CL TB YELLOW	100	EA	42.50	A
	CX6GN	6 mm ² FEED THRU SPRING CLAMP TB GREEN	100	EA	42.50	A
ACCESSORIES	EPCX6	END PLATE FOR CX6 & CXG6	50	EA	8.80	A
	PPCX10	PARTITION PLATE FOR CX10	20	EA	13.10	A
	JX6/2	2 POLE SHRT LNK FR 8MM WIDE SP CL TB	100	EA	26.30	A
	JX6/3	3 POLE SHRT LNK FR 8MM WIDE SP CL TB	50	EA	44.90	A
	JX6/4	4 POLE SHRT LNK FR 8MM WIDE SP CL TB	50	EA	62.90	A
	JX6/10	10 POLE SHRT LNK FR 8MM WIDE SP CL TB	10	EA	149.60	A
	MC8	MARKER CARD 7.95MM PITCH WITH 48 TAGS	1	PKT	532.00	B
	MC8WP	PRNTD MARKER CARD 7.95MM PITCH 48 TAGS	1	PKT	618.00	B



Wire Range : 0.2 - 10.0 mm²
 Current (A) : 57 A
 Voltage (V) : 1000 V
 Dimensions Width
 (Thickness) x Length : 10 x 72.4 mm
 Height with
 Din 35 x 7.5 mm Rail : 49.3 mm



	Part #	Description	Std. Pack	UOM	List Price in	Group
TERMINAL BLOCK	CX10	10 mm ² FEED THRU SPRING CLAMP TERMINAL	50	EA	74.20	A
	CX10BU	10 mm ² FEED THRU SPRING CLAMP TB BLUE	50	EA	81.60	A
	CX10BK	10 mm ² FEED THRU SPRING CLAMP TB BLACK	50	EA	81.60	A
	CX10R	10 mm ² FEED THRU SPRING CLAMP TB RED	50	EA	81.60	A
	CX10Y	10 mm ² FEED THRU SPRING CLAMP TB YELLOW	50	EA	81.60	A
	CX10GN	10 mm ² FEED THRU SPRING CLAMP TB GREEN	50	EA	81.60	A
ACCESSORIES	EPCX10	END PLATE FOR CX10 & CXG10	50	EA	9.00	A
	PPCX10	PARTITION PLATE FOR CX10	20	EA	13.10	A
	JX10/2	2 POLE SHRT LNK FR 10MM WIDE SP CL TB	20	EA	38.30	A
	MC10	MARKER CARD 9.95MM PITCH WITH 42 TAGS	1	PKT	510.00	B
	MC10WP	PRNTD MARKER CARD 9.95MM PITCH 42 TAGS	1	PKT	592.00	B

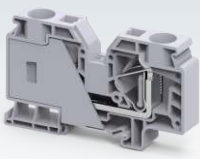


Wire Range : 1.5 - 16 mm²
 Current (A) : 76 A
 Voltage (V) : 800 V
 Dimensions Width
 (Thickness) x Length : 12 x 82 mm
 Height with
 Din 35 x 7.5 mm Rail : 51.2 mm



	Part #	Description	Std. Pack	UOM	List Price in	Group
TERMINAL BLOCK	CSC16T	16 mm ² FEED THRU SPRING CLAMP TERMINAL	50	EA	97.80	A
	CSC16TBU	16 mm ² FEED THRU SPRING CLAMP TB BLUE	50	EA	107.60	A
	CSC16TBK	16 mm ² FEED THRU SPRING CLAMP TB BLACK	50	EA	107.60	A
	CSC16TR	16 mm ² FEED THRU SPRING CLAMP TB RED	50	EA	107.60	A
	CSC16TY	16 mm ² FEED THRU SPRING CLAMP TB YELLOW	50	EA	107.60	A
	CSC16TGN	16 mm ² FEED THRU SPRING CLAMP TB GREEN	50	EA	107.60	A
ACCESSORIES	EPCSC16T	END PLATE FOR CSC16T	50	EA	14.70	A
	CA801/5	2P SHRT LINK FR 16mm WIDE SPRNG CLAMP TB	100	EA	71.90	A
	MC12	MARKER CARD 11.95MM PITCH WITH 36 TAGS	1	PKT	525.00	B
	MC12WP	PRNTD MARKER CARD 11.95MM PITCH 36 TAGS	1	PKT	602.00	B

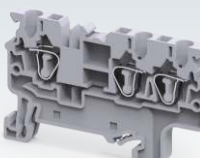
CX SERIES SPRING CLAMP TERMINAL BLOCKS



Wire Range : 2.5 - 35 mm²
 Current (A) : 125 A
 Voltage (V) : 800 V
 Dimensions Width
 (Thickness) x Length : 16 x 100 mm
 Height with
 Din 35 x 7.5 mm Rail : 60.3 mm

CE

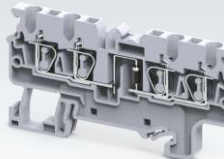
	Part #	Description	Std. Pack	UOM	List Price in	Group
TERMINAL BLOCK	CX35	35 mm ² FEED THRU SPRING CLAMP TB GRY	50	EA	344.30	A
	CX35BU	35 mm ² FEED THRU SPRING CLAMP TB BLU	50	EA	378.70	A
ACCESSORIES	CA801/5	2P SHRT LINK FR 16mm WIDE SPRNG CLAMP TB	100	PKT	71.90	A
	MC16	MARKER CARD 15.95MM PITCH WITH 30 TAGS	1	PKT	415.00	B
	MC16WP	PRNID MARKER CARD 15.95MM PITCH WITH 30 TAGS	1	PKT	485.00	B



Wire Range : 0.2 - 2.5 mm²
 Current (A) : 24 A
 Voltage (V) : 1000 V
 Dimensions Width
 (Thickness) x Length : 5 x 60.5 mm
 Height with
 Din 35 x 7.5 mm Rail : 38.2 mm

IECEE **CE** **UL** **CS** **Ex** **IECEx** **AEx** **Level 1 Register** **CCC**

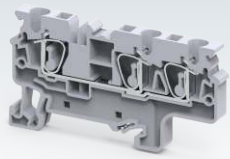
	Part #	Description	Std. Pack	UOM	List Price in	Group
TERMINAL BLOCK	CX2.5/3	2.5 mm ² FEED THRU SPR CL 3 WIRE TB	100	EA	26.80	A
	CX2.5/3BU	2.5 mm ² FEED THRU SP CL 3 WIRE TB BLUE	100	EA	29.50	A
	CX2.5/3BK	2.5 mm ² FEED THRU SP CL 3 WIRE TB BLACK	100	EA	29.50	A
	CX2.5/3R	2.5 mm ² FEED THRU SP CL 3 WIRE TB RED	100	EA	29.50	A
	CX2.5/3Y	2.5 mm ² FEED THRU SP CL 3 WIRE TB YELLOW	100	EA	29.50	A
	CX2.5/3GN	2.5 mm ² FEED THRU SPR CL 3 WIRE TB GREEN	100	EA	29.50	A
ACCESSORIES	EPCX2.5/3	END PLATE FOR CX2.5/3 & CXG2.5/3	50	EA	7.60	A
	PPCX4/3	PARTITION PLATE FOR CX4/3	50	EA	11.40	A
	JX2.5/2	2 POLE SHRT LNK FR 5MM WIDE SP CL TB	100	EA	10.20	A
	JX2.5/3	3 POLE SHRT LNK FR 5MM WIDE SP CL TB	50	EA	17.70	A
	JX2.5/4	4 POLE SHRT LNK FR 5MM WIDE SP CL TB	50	EA	30.30	A
	JX2.5/10	10 POLE SHRT LNK FR 5MM WIDE SP CL TB	10	EA	78.50	A
	MC5	MARKER CARD 4.95MM PITCH WITH 84 TAGS	1	PKT	817.00	B
	MC5WP	PRNTD MARKER CARD 4.95MM PITCH 84 TAGS	1	PKT	946.00	B













Wire Range : 0.2 - 2.5 mm²
 Current (A) : 24 A
 Voltage (V) : 1000 V
 Dimensions Width
 (Thickness) x Length : 5 x 73 mm
 Height with
 Din 35 x 7.5 mm Rail : 38.2 mm

IECEE **CE** **UL** **CS** **Ex** **IECEx** **AEx** **Level 1 Register** **CCC**

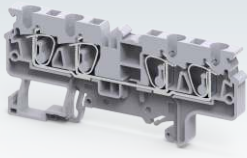
	Part #	Description	Std. Pack	UOM	List Price in	Group
TERMINAL BLOCK	CX2.5/4	2.5 mm ² FEED THRU SPRING CLAMP 4 WIRE TB	100	EA	29.00	A
	CX2.5/4BU	2.5 mm ² FEED THRU SP CL 4 WIRE TB BLUE	100	EA	31.90	A
	CX2.5/4BK	2.5 mm ² FEED THRU SP CL 4 WIRE TB BLACK	100	EA	31.90	A
	CX2.5/4R	2.5 mm ² FEED THRU SP CL 4 WIRE TB RED	100	EA	31.90	A
	CX2.5/4Y	2.5 mm ² FEED THRU SP CL 4 WIRE TB YELLOW	100	EA	31.90	A
	CX2.5/4GN	2.5 mm ² FEED THRU SP CL 4 WIRE TB GREEN	100	EA	31.90	A
ACCESSORIES	EPCX2.5/4	END PLATE FOR CX2.5/4&CXK2.5/4&CXG2.5/4	50	EA	8.00	A
	PPCX4/4	PARTITION PLATE FOR CX4/4	50	EA	15.20	A
	JX2.5/2	2 POLE SHRT LNK FR 5MM WIDE SP CL TB	100	EA	10.20	A
	JX2.5/3	3 POLE SHRT LNK FR 5MM WIDE SP CL TB	50	EA	17.70	A
	JX2.5/4	4 POLE SHRT LNK FR 5MM WIDE SP CL TB	50	EA	30.30	A
	JX2.5/10	10 POLE SHRT LNK FR 5MM WIDE SP CL TB	10	EA	78.50	A
	MC5	MARKER CARD 4.95MM PITCH WITH 84 TAGS	1	PKT	817.00	B
	MC5WP	PRNTD MARKER CARD 4.95MM PITCH 84 TAGS	1	PKT	946.00	B













Wire Range : 0.2 - 4.0 mm²
 Current (A) : 32 A
 Voltage (V) : 1000 V
 Dimensions Width (Thickness) x Length : 6 x 70.8 mm
 Height with Din 35 x 7.5 mm Rail : 38 mm

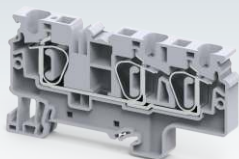
	Part #	Description	Std. Pack	UOM	List Price in	Group
TERMINAL BLOCK	CX4/3	4SQ MM SP CL MODULAR TB (3 WIRE)	50	EA	36.60	A
	CX4/3BU	4SQ MM SP CL MODULAR TB (3 WIRE) BLU	50	EA	40.30	A
	CX4/3BK	4 mm ² FEED THRU SP CL 3 WIRE TB BLACK	50	EA	40.30	A
	CX4/3R	4 mm ² FEED THRU SP CL 3 WIRE TB RED	50	EA	40.30	A
	CX4/3Y	4 mm ² FEED THRU SP CL 3 WIRE TB YELLOW	50	EA	40.30	A
	CX4/3GN	4 mm ² FEED THRU SP CL 3 WIRE TB GRN	50	EA	40.30	A
ACCESSORIES	EPCX4/3	END PLATE FOR CX4/3 & CXG4/3	50	EA	9.20	A
	PPCX4/3	PARTITION PLATE FOR CX4/3	50	EA	11.40	A
	JX4/2	2 POLE SHRT LNK FR 6MM WIDE SP CL TB	100	EA	17.40	A
	JX4/3	3 POLE SHRT LNK FR 6MM WIDE SP CL TB	50	EA	29.90	A
	JX4/4	4 POLE SHRT LNK FR 6MM WIDE SP CL TB	50	EA	44.90	A
	JX4/10	10 POLE SHRT LNK FR 6MM WIDE SP CL TB	10	EA	104.80	A
	MC6	MARKER CARD 5.95MM PITCH WITH 72 TAGS	1	PKT	698.00	B
	MC6WP	PRNTD MARKER CARD 5.95MM PITCH 72 TAGS	1	PKT	806.00	B













Wire Range : 0.2 - 4 mm²
 Current (A) : 32 A
 Voltage (V) : 1000 V
 Dimensions Width (Thickness) x Length : 6 x 86.2 mm
 Height with Din 35 x 7.5 mm Rail : 38 mm

	Part #	Description	Std. Pack	UOM	List Price in	Group
TERMINAL BLOCK	CX4/4	4SQ MM SP CL MODULAR TB (4 WIRE)	50	EA	42.50	A
	CX4/4BU	4SQ MM SP CL MODULAR TB (4 WIRE) BLU	50	EA	46.80	A
	CX4/4BK	4 mm ² FEED THRU SP CL 4 WIRE TB BLACK	50	EA	46.80	A
	CX4/4R	4 mm ² FEED THRU SP CL 4 WIRE TB RED	50	EA	46.80	A
	CX4/4Y	4 mm ² FEED THRU SP CL 4 WIRE TB YELLOW	50	EA	46.80	A
	CX4/4GN	4 mm ² FEED THRU SP CL 4 WIRE TB GREEN	50	EA	46.80	A
ACCESSORIES	EPCX4/4	END PLATE FOR CX4/4 & CXG4/4	50	EA	11.00	A
	PPCX4/4	PARTITION PLATE FOR CX4/4	50	EA	15.20	A
	JX4/2	2 POLE SHRT LNK FR 6MM WIDE SP CL TB	100	EA	17.40	A
	JX4/3	3 POLE SHRT LNK FR 6MM WIDE SP CL TB	50	EA	29.90	A
	JX4/4	4 POLE SHRT LNK FR 6MM WIDE SP CL TB	50	EA	44.90	A
	JX4/10	10 POLE SHRT LNK FR 6MM WIDE SP CL TB	10	EA	104.80	A
	MC6	MARKER CARD 5.95MM PITCH WITH 72 TAGS	1	PKT	698.00	B
	MC6WP	PRNTD MARKER CARD 5.95MM PITCH 72 TAGS	1	PKT	806.00	B

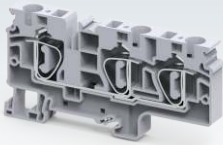


Wire Range : 0.2 - 6.0 mm²
 Current (A) : 41 A
 Voltage (V) : 1000 V
 Dimensions Width (Thickness) x Length : 8 x 82.2 mm
 Height with Din 35 x 7.5 mm Rail : 43 mm













	Part #	Description	Std. Pack	UOM	List Price in	Group
TERMINAL BLOCK	CX6/3	6 mm ² FEED THRU SPRING CLAMP 3 WIRE TB	50	EA	82.20	A
	CX6/3BU	6 mm ² FEED THRU SP CL 3 WIRE TB BLUE	50	EA	90.40	A
	CX6/3BK	6 mm ² FEED THRU SP CLMP 3 WIRE TB BLACK	50	EA	90.40	A
	CX6/3R	6 mm ² FEED THRU SP CLMP 3 WIRE TB RED	50	EA	90.40	A
	CX6/3Y	6 mm ² FEED THRU SP CLMP 3 WIRE TB YELLOW	50	EA	90.40	A
ACCESSORIES	EPCX6/3	END PLATE FOR CX6/3 & CXG6/3	50	EA	10.50	A
	JX6/2	2 POLE SHRT LNK FR 8MM WIDE SP CL TB	100	EA	26.30	A
	JX6/3	3 POLE SHRT LNK FR 8MM WIDE SP CL TB	50	EA	44.90	A
	JX6/4	4 POLE SHRT LNK FR 8MM WIDE SP CL TB	50	EA	62.90	A
	JX6/10	10 POLE SHRT LNK FR 8MM WIDE SP CL TB	10	EA	149.60	A
	MC8	MARKER CARD 7.95MM PITCH WITH 48 TAGS	1	PKT	532.00	B
	MC8WP	PRNTD MARKER CARD 7.95MM PITCH 48 TAGS	1	PKT	618.00	B

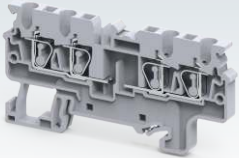
CX SERIES SPRING CLAMP TERMINAL BLOCKS




Wire Range : 0.2 - 10.0 mm²
 Current (A) : 57 A
 Voltage (V) : 1000 V
 Dimensions Width
 (Thickness) x Length : 10 x 97.6 mm
 Height with
 Din 35 x 7.5 mm Rail : 49.3 mm



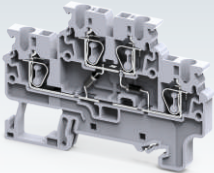
	Part #	Description	Std. Pack	UOM	List Price in	Group
TERMINAL BLOCK	CX10/3	10 mm ² FEED THRU SPRING CLAMP 3 WIRE TB	50	EA	126.90	A
	CX10/3BU	10 mm ² FEED THRU SP CLAMP 3 WIRE TB BLUE	50	EA	139.60	A
	CX10/3BK	10 mm ² FEED THRU SP CLAMP 3 WIRE TB BLACK	50	EA	139.60	A
	CX10/3R	10 mm ² FEED THRU SP CLAMP 3 WIRE TB RED	50	EA	139.60	A
	CX10/3Y	10 mm ² FEED THRU SP CL 3 WIRE TB YELLOW	50	EA	139.60	A
	CX10/3GN	10 mm ² FEED THRU SP CLAMP 3 WIRE TB GRN	50	EA	139.60	A
ACCESSORIES	EPCX10/3	END PLATE FOR CX10/3 & CXG10/3	20	EA	11.20	A
	JX10/2	2 POLE SHRT LNK FR 10MM WIDE SP CL TB	20	EA	38.30	A
	MC10	MARKER CARD 9.95MM PITCH WITH 42 TAGS	1	PKT	510.00	B
	MC10WP	PRNTD MARKER CARD 9.95MM PITCH 42 TAGS	1	PKT	592.00	B




Wire Range : 0.2 - 2.5 mm²
 Voltage (V) : 1000 V
 Dimensions Width
 (Thickness) x Length : 5 x 73 mm
 Height with
 Din 35 x 7.5 mm Rail : 38.2 mm



	Part #	Description	Std. Pack	UOM	List Price in	Group
TERMINAL BLOCK	CX2.5/4P	2.5mm ² DOUBLE FEED THRU SPRING CLAMP	100	EA	121.20	A
ACCESSORIES	EPCX2.5/4	END PLATE FOR CX2.5/4&CXK2.5/4&CXG2.5/4	50	EA	8.00	A
	PPCX4/4	PARTITION PLATE FOR CX4/4	50	EA	15.20	A
	JX2.5/2	2 POLE SHRT LNK FR 5MM WIDE SP CL TB	100	EA	10.20	A
	JX2.5/3	3 POLE SHRT LNK FR 5MM WIDE SP CL TB	50	EA	17.70	A
	JX2.5/4	4 POLE SHRT LNK FR 5MM WIDE SP CL TB	50	EA	30.30	A
	JX2.5/10	10 POLE SHRT LNK FR 5MM WIDE SP CL TB	10	EA	78.50	A
	MC5	MARKER CARD 4.95MM PITCH WITH 84 TAGS	1	PKT	817.00	B
	MC5WP	PRNTD MARKER CARD 4.95MM PITCH 84 TAGS	1	PKT	946.00	B



Wire Range : 0.2 - 2.5 mm²
 Voltage (V) : 1000 V
 Dimensions Width
 (Thickness) x Length : 5 x 71 mm
 Height with
 Din 35 x 7.5 mm Rail : 49.5 mm



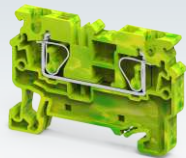
	Part #	Description	Std. Pack	UOM	List Price in	Group
TERMINAL BLOCK	CX2.5/4(E)D1	2.5 mm ² FD THRU SP CL 4 WIRE DIODE D1 TB	100	EA	125.00	A
ACCESSORIES	EPCX2.5/4	END PLATE FOR CX2.5/4&CXK2.5/4&CXG2.5/4	50	EA	8.00	A
	PPCX4/4	PARTITION PLATE FOR CX4/4	50	EA	15.20	A
	JX2.5/2	2 POLE SHRT LNK FR 5MM WIDE SP CL TB	100	EA	10.20	A
	JX2.5/3	3 POLE SHRT LNK FR 5MM WIDE SP CL TB	50	EA	17.70	A
	JX2.5/4	4 POLE SHRT LNK FR 5MM WIDE SP CL TB	50	EA	30.30	A
	JX2.5/10	10 POLE SHRT LNK FR 5MM WIDE SP CL TB	10	EA	78.50	A
	MC5	MARKER CARD 4.95MM PITCH WITH 84 TAGS	1	PKT	817.00	B
	MC5WP	PRNTD MARKER CARD 4.95MM PITCH 84 TAGS	1	PKT	946.00	B



Wire Range : 0.2 - 2.5 mm²
 Dimensions Width (Thickness) x Length : 5 x 50 mm
 Height with Din 35 x 7.5 mm Rail : 38.2 mm



	Part #	Description	Std. Pack	UOM	List Price in	Group
TERMINAL BLOCK	CXG2.5	2.5 mm ² SPRING CLAMP GROUNDING TB	100	EA	77.20	A
	EPCX2.5	END PLATE FOR CX2.5/CXG2.5	50	EA	6.10	A
	PPCX4	PARTITION PLATE FOR CX4	50	EA	9.20	A
	JX2.5/2	2 POLE SHRT LNK FR 5MM WIDE SP CL TB	100	EA	10.20	A
ACCESSORIES	JX2.5/3	3 POLE SHRT LNK FR 5MM WIDE SP CL TB	50	EA	17.70	A
	JX2.5/4	4 POLE SHRT LNK FR 5MM WIDE SP CL TB	50	EA	30.30	A
	JX2.5/10	10 POLE SHRT LNK FR 5MM WIDE SP CL TB	10	EA	78.50	A
	MC5	MARKER CARD 4.95MM PITCH WITH 84 TAGS	1	PKT	817.00	B
	MC5WP	PRNTD MARKER CARD 4.95MM PITCH 84 TAGS	1	PKT	946.00	B



Wire Range : 0.2 - 4 mm²
 Dimensions Width (Thickness) x Length : 6 x 54.8 mm
 Height with Din 35 x 7.5 mm Rail : 38 mm



	Part #	Description	Std. Pack	UOM	List Price in	Group
TERMINAL BLOCK	CXG4	4 mm ² SPRING CLAMP GROUNDING TB	100	EA	78.10	A
	EPCX4	END PLATE FOR CX4 & CXG4	50	EA	7.30	A
	PPCX4	PARTITION PLATE FOR CX4	50	EA	9.20	A
	JX4/2	2 POLE SHRT LNK FR 6MM WIDE SP CL TB	100	EA	17.40	A
ACCESSORIES	JX4/3	3 POLE SHRT LNK FR 6MM WIDE SP CL TB	50	EA	29.90	A
	JX4/4	4 POLE SHRT LNK FR 6MM WIDE SP CL TB	50	EA	44.90	A
	JX4/10	10 POLE SHRT LNK FR 6MM WIDE SP CL TB	10	EA	104.80	A
	MC6	MARKER CARD 5.95MM PITCH WITH 72 TAGS	1	PKT	698.00	B
	MC6WP	PRNTD MARKER CARD 5.95MM PITCH 72 TAGS	1	PKT	806.00	B



Wire Range : 0.2 - 6.00 mm²
 Dimensions Width (Thickness) x Length : 8 x 62.1 mm
 Height with Din 35 x 7.5 mm Rail : 42.2 mm



	Part #	Description	Std. Pack	UOM	List Price in	Group
TERMINAL BLOCK	CXG6	6 mm ² SPRING CLAMP GROUNDING TB	100	EA	151.70	A
	EPCX6	END PLATE FOR CX6 & CXG6	50	EA	8.80	A
	PPCX10	PARTITION PLATE FOR CX10	20	EA	13.10	A
	JX6/2	2 POLE SHRT LNK FR 8MM WIDE SP CL TB	100	EA	26.30	A
ACCESSORIES	JX6/3	3 POLE SHRT LNK FR 8MM WIDE SP CL TB	50	EA	44.90	A
	JX6/4	4 POLE SHRT LNK FR 8MM WIDE SP CL TB	50	EA	62.90	A
	JX6/10	10 POLE SHRT LNK FR 8MM WIDE SP CL TB	10	EA	149.60	A
	MC8	MARKER CARD 7.95MM PITCH WITH 48 TAGS	1	PKT	532.00	B
	MC8WP	PRNTD MARKER CARD 7.95MM PITCH 48 TAGS	1	PKT	618.00	B


CX SERIES SPRING CLAMP TERMINAL BLOCKS



Wire Range : 0.2 - 10.0 mm²
 Dimensions Width (Thickness) x Length : 10 x 72.4 mm
 Height with Din 35 x 7.5 mm Rail : 49.3 mm















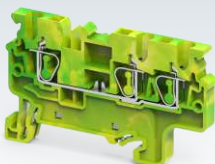

	Part #	Description	Std. Pack	UOM	List Price in	Group
TERMINAL BLOCK	CXG10	10 mm ² SPRING CLAMP GROUNDING TB	50	EA	195.70	A
ACCESSORIES	EPCX10	END PLATE FOR CX10 & CXG10	50	EA	9.00	A
	PPCX10	PARTITION PLATE FOR CX10	20	EA	13.10	A
	JX10/2	2 POLE SHRT LNK FR 10MM WIDE SP CL TB	20	EA	38.30	A
	MC10	MARKER CARD 9.95MM PITCH WITH 42 TAGS	1	PKT	510.00	B
	MC10WP	PRNTD MARKER CARD 9.95MM PITCH 42 TAGS	1	PKT	592.00	B














Wire Range : 1.5 - 16 mm²
 Dimensions Width (Thickness) x Length : 12 x 82 mm
 Height with Din 35 x 7.5 mm Rail : 51.2 mm


	Part #	Description	Std. Pack	UOM	List Price in	Group
TERMINAL BLOCK	CSCG16T	16 mm ² FEED THRU SP CL GROUNDING TB	50	EA	235.80	A
ACCESSORIES	EPCSC16T	END PLATE FOR CSC16T	50	EA	14.70	A
	MC12	MARKER CARD 11.95MM PITCH WITH 36 TAGS	1	PKT	525.00	B
	MC12WP	PRNTD MARKER CARD 11.95MM PITCH 36 TAGS	1	PKT	602.00	B












Wire Range : 0.2 - 2.5 mm²
 Dimensions Width (Thickness) x Length : 5 x 60.5 mm
 Height with Din 35 x 7.5 mm Rail : 38.2 mm

	Part #	Description	Std. Pack	UOM	List Price in	Group
TERMINAL BLOCK	CXG2.5/3	2.5 mm ² SPRING CL 3 WIRE GROUND TB	100	EA	113.50	A
ACCESSORIES	EPCX2.5/3	END PLATE FOR CX2.5/3 & CXG2.5/3	50	EA	7.60	A
	PPCX4/3	PARTITION PLATE FOR CX4/3	50	EA	11.40	A
	JX2.5/2	2 POLE SHRT LNK FR 5MM WIDE SP CL TB	100	EA	10.20	A
	JX2.5/3	3 POLE SHRT LNK FR 5MM WIDE SP CL TB	50	EA	17.70	A
	JX2.5/4	4 POLE SHRT LNK FR 5MM WIDE SP CL TB	50	EA	30.30	A
	JX2.5/10	10 POLE SHRT LNK FR 5MM WIDE SP CL TB	10	EA	78.50	A
	MC5	MARKER CARD 4.95MM PITCH WITH 84 TAGS	1	PKT	817.00	B
	MC5WP	PRNTD MARKER CARD 4.95MM PITCH 84 TAGS	1	PKT	946.00	B












Wire Range : 0.2 - 2.5 mm²
 Dimensions Width (Thickness) x Length : 5 x 74.7 mm
 Height with Din 35 x 7.5 mm Rail : 38.2 mm


	Part #	Description	Std. Pack	UOM	List Price in	Group
TERMINAL BLOCK	CXG2.5/4	2.5 mm ² SPRING CLAMP 4 WIRE GROUND TB	100	EA	115.80	A
	EPCX2.5/4	END PLATE FOR CX2.5/4&CXK2.5/4&CXG2.5/4	50	EA	8.00	A
	PPCX4/4	PARTITION PLATE FOR CX4/4	50	EA	15.20	A
	JX2.5/2	2 POLE SHRT LNK FR 5MM WIDE SP CL TB	100	EA	10.20	A
ACCESSORIES	JX2.5/3	3 POLE SHRT LNK FR 5MM WIDE SP CL TB	50	EA	17.70	A
	JX2.5/4	4 POLE SHRT LNK FR 5MM WIDE SP CL TB	50	EA	30.30	A
	JX2.5/10	10 POLE SHRT LNK FR 5MM WIDE SP CL TB	10	EA	78.50	A
	MC5	MARKER CARD 4.95MM PITCH WITH 84 TAGS	1	PKT	817.00	B
	MC5WP	PRNTD MARKER CARD 4.95MM PITCH 84 TAGS	1	PKT	946.00	B





Wire Range : 0.2 - 4.0 mm²
 Dimensions Width (Thickness) x Length : 6 x 70.8 mm
 Height with Din 35 x 7.5 mm Rail : 38 mm

	Part #	Description	Std. Pack	UOM	List Price in	Group
TERMINAL BLOCK	CXG4/3	4SQ EARTHING SP CL MOD TB (3 WIRE)	50	EA	117.40	A
	EPCX4/3	END PLATE FOR CX4/3 & CXG4/3	50	EA	9.20	A
	PPCX4/3	PARTITION PLATE FOR CX4/3	50	EA	11.40	A
	JX4/2	2 POLE SHRT LNK FR 6MM WIDE SP CL TB	100	EA	17.40	A
ACCESSORIES	JX4/3	3 POLE SHRT LNK FR 6MM WIDE SP CL TB	50	EA	29.90	A
	JX4/4	4 POLE SHRT LNK FR 6MM WIDE SP CL TB	50	EA	44.90	A
	JX4/10	10 POLE SHRT LNK FR 6MM WIDE SP CL TB	10	EA	104.80	A
	MC6	MARKER CARD 5.95MM PITCH WITH 72 TAGS	1	PKT	698.00	B
	MC6WP	PRNTD MARKER CARD 5.95MM PITCH 72 TAGS	1	PKT	806.00	B



Wire Range : 0.2 - 4 mm²
 Dimensions Width (Thickness) x Length : 6 x 86.2 mm
 Height with Din 35 x 7.5 mm Rail : 38 mm

	Part #	Description	Std. Pack	UOM	List Price in	Group
TERMINAL BLOCK	CXG4/4	4SQ EARTHING SP CL MOD TB (4 WIRE)	50	EA	127.20	A
	EPCX4/4	END PLATE FOR CX4/4 & CXG4/4	50	EA	11.00	A
	PPCX4/4	PARTITION PLATE FOR CX4/4	50	EA	15.20	A
	JX4/2	2 POLE SHRT LNK FR 6MM WIDE SP CL TB	100	EA	17.40	A
ACCESSORIES	JX4/3	3 POLE SHRT LNK FR 6MM WIDE SP CL TB	50	EA	29.90	A
	JX4/4	4 POLE SHRT LNK FR 6MM WIDE SP CL TB	50	EA	44.90	A
	JX4/10	10 POLE SHRT LNK FR 6MM WIDE SP CL TB	10	EA	104.80	A
	MC6	MARKER CARD 5.95MM PITCH WITH 72 TAGS	1	PKT	698.00	B
	MC6WP	PRNTD MARKER CARD 5.95MM PITCH 72 TAGS	1	PKT	806.00	B

CX SERIES SPRING CLAMP TERMINAL BLOCKS




Wire Range : 0.2 - 6.0 mm²
 Dimensions Width (Thickness) x Length : 8 x 82.2 mm
 Height with Din 35 x 7.5 mm Rail : 42.2 mm

















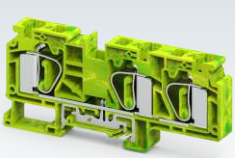

	Part #	Description	Std. Pack	UOM	List Price in	Group
TERMINAL BLOCK	CXG6/3	6 mm ² SPRING CLAMP 3 WIRE GROUND TB	50	EA	172.90	A
ACCESSORIES	EPCX6/3	END PLATE FOR CX6/3 & CXG6/3	50	EA	10.50	A
	JX6/2	2 POLE SHRT LNK FR 8MM WIDE SP CL TB	100	EA	26.30	A
	JX6/3	3 POLE SHRT LNK FR 8MM WIDE SP CL TB	50	EA	44.90	A
	JX6/4	4 POLE SHRT LNK FR 8MM WIDE SP CL TB	50	EA	62.90	A
	JX6/10	10 POLE SHRT LNK FR 8MM WIDE SP CL TB	10	EA	149.60	A
	MC8	MARKER CARD 7.95MM PITCH WITH 48 TAGS	1	PKT	532.00	B
	MC8WP	PRNTD MARKER CARD 7.95MM PITCH 48 TAGS	1	PKT	618.00	B






Wire Range : 0.2 - 10.0 mm²
 Dimensions Width (Thickness) x Length : 10 x 97.6 mm
 Height with Din 35 x 7.5 mm Rail : 49.3 mm

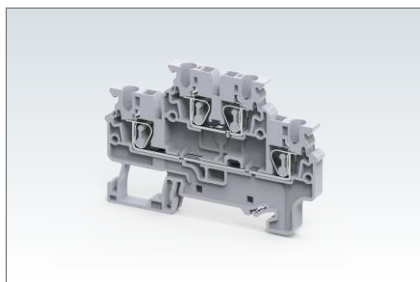
	Part #	Description	Std. Pack	UOM	List Price in	Group
TERMINAL BLOCK	CXG10/3	10 mm ² SPRING CLAMP 3 WIRE GROUND TB	50	EA	214.30	A
ACCESSORIES	EPCX10/3	END PLATE FOR CX10/3 & CXG10/3	20	EA	11.20	A
	JX10/2	2 POLE SHRT LNK FR 10MM WIDE SP CL TB	20	EA	38.30	A
	MC10	MARKER CARD 9.95MM PITCH WITH 42 TAGS	1	PKT	510.00	B
	MC10WP	PRNTD MARKER CARD 9.95MM PITCH 42 TAGS	1	PKT	592.00	B



Wire Range : 1.5 - 16 mm²
 Dimensions Width (Thickness) x Length : 12 x 11.9 mm
 Height with Din 35 x 7.5 mm Rail : 51.2 mm

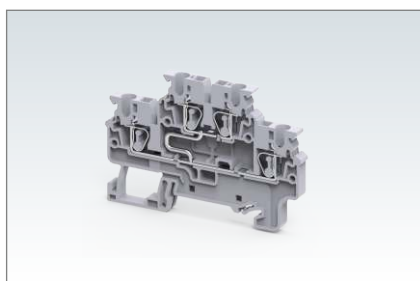
	Part #	Description	Std. Pack	UOM	List Price in	Group
TERMINAL BLOCK	CSCG16/3T	16 mm ² GND SPRING CLAMP 3 WIRE TB	50	EA	260.30	A
ACCESSORIES	EPCSC16T	END PLATE FOR CSC16T	50	EA	14.70	A
	MC12	MARKER CARD 11.95MM PITCH WITH 36 TAGS	1	PKT	525.00	B
	MC12WP	PRNTD MARKER CARD 11.95MM PITCH 36 TAGS	1	PKT	602.00	B



Wire Range : 0.2 - 2.5 mm²
 Current (A) : 24 A
 Voltage (V) : 1000 V
 Dimensions Width
 (Thickness) x Length : 5 x 71 mm
 Height with
 Din 35 x 7.5 mm Rail : 49.5 mm



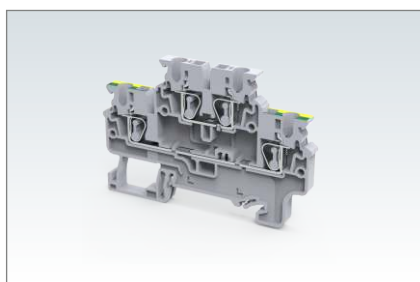
	Part #	Description	Std. Pack	UOM	List Price in	Group
TERMINAL BLOCK	CXDL2.5	2.5 mm ² 2 LEVEL SPRING CLAMP TERMINAL	50	EA	33.10	A
	CXDL2.5BU	2.5 mm ² 2 LVL SPRNG CL TERMINAL BLUE	50	EA	36.40	A
	CXDL2.5BK	2.5 mm ² 2 LVL SPNG CL TERMINAL BLACK	50	EA	36.40	A
	CXDL2.5R	2.5 mm ² 2 LVL SPR CL TERMINAL RED	50	EA	36.40	A
	CXDL2.5Y	2.5 mm ² 2 LVL SPR CL TERMINAL YLW	50	EA	36.40	A
	CXDL2.5GN	2.5 mm ² 2 LVL SPNG CL TERMINAL GREEN	50	EA	36.40	A
ACCESSORIES	EPCXDL2.5	END PLATE FOR CXDL2.5 SERIES	50	EA	11.20	A
	JX2.5/2	2 POLE SHRT LNK FR 5MM WIDE SP CL TB	100	EA	10.20	A
	JX2.5/3	3 POLE SHRT LNK FR 5MM WIDE SP CL TB	50	EA	17.70	A
	JX2.5/4	4 POLE SHRT LNK FR 5MM WIDE SP CL TB	50	EA	30.30	A
	JX2.5/10	10 POLE SHRT LNK FR 5MM WIDE SP CL TB	10	EA	78.50	A
	MC5	MARKER CARD 4.95MM PITCH WITH 84 TAGS	1	PKT	817.00	B
	MC5WP	PRNTD MARKER CARD 4.95MM PITCH 84 TAGS	1	PKT	946.00	B



Wire Range : 0.2 - 2.5 mm²
 Current (A) : 24 A
 Voltage (V) : 1000 V
 Dimensions Width
 (Thickness) x Length : 5 x 71 mm
 Height with
 Din 35 x 7.5 mm Rail : 49.5 mm



	Part #	Description	Std. Pack	UOM	List Price in	Group
TERMINAL BLOCK	CXDL2.5(I.S)	2.5 mm ² 2 LVL SPRING CLAMP INT SHRTD TB	50	EA	46.30	A
ACCESSORIES	EPCXDL2.5	END PLATE FOR CXDL2.5 SERIES	50	EA	11.20	A
	JX2.5/2	2 POLE SHRT LNK FR 5MM WIDE SP CL TB	100	EA	10.20	A
	JX2.5/3	3 POLE SHRT LNK FR 5MM WIDE SP CL TB	50	EA	17.70	A
	JX2.5/4	4 POLE SHRT LNK FR 5MM WIDE SP CL TB	50	EA	30.30	A
	JX2.5/10	10 POLE SHRT LNK FR 5MM WIDE SP CL TB	10	EA	78.50	A
	MC5	MARKER CARD 4.95MM PITCH WITH 84 TAGS	1	PKT	817.00	B
	MC5WP	PRNTD MARKER CARD 4.95MM PITCH 84 TAGS	1	PKT	946.00	B

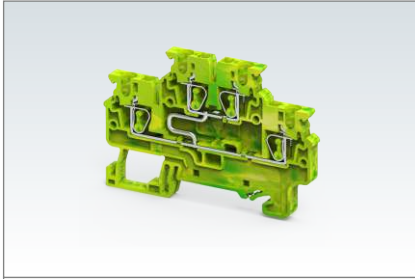


Wire Range : 0.2 - 2.5 mm²
 Current (A) : 24 A
 Voltage (V) : 1000 V
 Dimensions Width
 (Thickness) x Length : 5 x 71 mm
 Height with
 Din 35 x 7.5 mm Rail : 49.5 mm



	Part #	Description	Std. Pack	UOM	List Price in	Group
TERMINAL BLOCK	CXDLG2.5	2.5 mm ² FEED THRU + GND SPRING CL TB	50	EA	107.50	A
ACCESSORIES	EPCXDL2.5	END PLATE FOR CXDL2.5 SERIES	50	EA	11.20	A
	JX2.5/2	2 POLE SHRT LNK FR 5MM WIDE SP CL TB	100	EA	10.20	A
	JX2.5/3	3 POLE SHRT LNK FR 5MM WIDE SP CL TB	50	EA	17.70	A
	JX2.5/4	4 POLE SHRT LNK FR 5MM WIDE SP CL TB	50	EA	30.30	A
	JX2.5/10	10 POLE SHRT LNK FR 5MM WIDE SP CL TB	10	EA	78.50	A
	MC5	MARKER CARD 4.95MM PITCH WITH 84 TAGS	1	PKT	817.00	B
	MC5WP	PRNTD MARKER CARD 4.95MM PITCH 84 TAGS	1	PKT	946.00	B

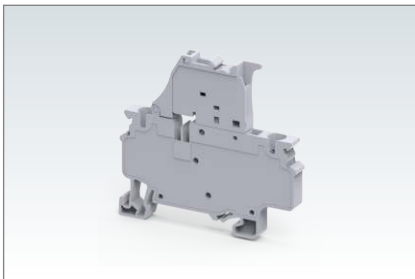
CX SERIES SPRING CLAMP TERMINAL BLOCKS



Wire Range : 0.2 - 2.5 mm²
 Dimensions Width
 (Thickness) x Length : 5 x 71 mm
 Height with
 Din 35 x 7.5 mm Rail : 49.5 mm



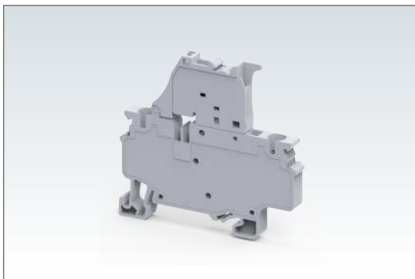
	Part #	Description	Std. Pack	UOM	List Price in	Group
TERMINAL BLOCK	CXDLG2.5(I.S)	2.5 mm ² 2 LEVEL SPRING CL GROUND TB	50	EA	111.50	A
ACCESSORIES	EPCXDL2.5	END PLATE FOR CXDL2.5 SERIES	50	EA	11.20	A
	JX2.5/2	2 POLE SHRT LNK FR 5MM WIDE SP CL TB	100	EA	10.20	A
	JX2.5/3	3 POLE SHRT LNK FR 5MM WIDE SP CL TB	50	EA	17.70	A
	JX2.5/4	4 POLE SHRT LNK FR 5MM WIDE SP CL TB	50	EA	30.30	A
	JX2.5/10	10 POLE SHRT LNK FR 5MM WIDE SP CL TB	10	EA	78.50	A
	MC5	MARKER CARD 4.95MM PITCH WITH 84 TAGS	1	PKT	817.00	B
	MC5WP	PRNTD MARKER CARD 4.95MM PITCH 84 TAGS	1	PKT	946.00	B



Wire Range : 0.2 - 4.0 mm²
 Current (A) : 10 A
 Voltage (V) : 1000 V
 Dimensions Width
 (Thickness) x Length : 6 x 63.7 mm
 Height with
 Din 35 x 7.5 mm Rail : 69.1 mm



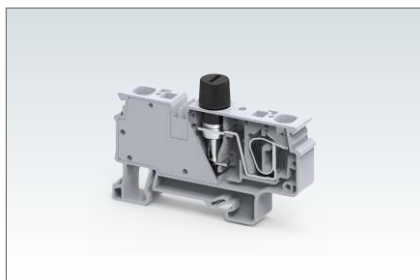
	Part #	Description	Std. Pack	UOM	List Price in	Group
TERMINAL BLOCK	CXF4	4mm ² Ø5X20mm SPRING CLAMP FUSE TB	50	EA	68.90	A
	CXF4BU	4mm ² Ø5X20mm SPRING CLAMP FUSE TB BLU	50	EA	75.80	A
	CXF4BK	4mm ² Ø5X20mm SPRING CLAMP FUSE TB BLK	50	EA	75.80	A
ACCESSORIES	PPCX4/3	PARTITION PLATE FOR CX4/3	50	EA	11.40	A
	JX4/2	2 POLE SHRT LNK FR 6MM WIDE SP CL TB	100	EA	17.40	A
	JX4/3	3 POLE SHRT LNK FR 6MM WIDE SP CL TB	50	EA	29.90	A
	JX4/4	4 POLE SHRT LNK FR 6MM WIDE SP CL TB	50	EA	44.90	A
	JX4/10	10 POLE SHRT LNK FR 6MM WIDE SP CL TB	10	EA	104.80	A
	MC6	MARKER CARD 5.95MM PITCH WITH 72 TAGS	1	PKT	698.00	B
		MC6WP	PRNTD MARKER CARD 5.95MM PITCH 72 TAGS	1	PKT	806.00



Wire Range : 0.2 - 4.0 mm²
 Current (A) : 10 A
 Voltage (V) : 1000 V
 Dimensions Width
 (Thickness) x Length : 6 x 63.7 mm
 Height with
 Din 35 x 7.5 mm Rail : 69.1 mm

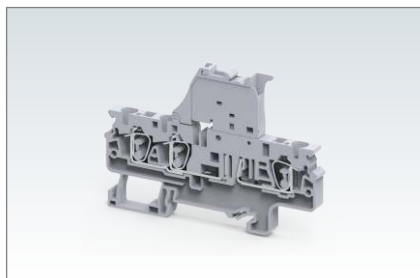


	Part #	Description	Std. Pack	UOM	List Price in	Group
TERMINAL BLOCK	CXF4L6-60V	4mm ² Ø5X20mm SPRING CLMP FUSE TB 6-60V	50	EA	91.50	A
	CXF4L6-60VBK	4mm ² Ø5X20mm SPRG CLMP FUSE TB 6-60V BLK	50	EA	100.70	A
	CXF4L6-60VBU	4mm ² Ø5X20mm SPRG CLMP FUSE TB 6-60V BLU	50	EA	100.70	A
	CXF4L110-240V	4mm ² Ø5X20mm SPR CL FU TB110-240V	50	EA	91.50	A
	CXF4L110-240VBK	4mm ² Ø5X20mm SPR CL FU TB110-240V BLACK	50	EA	100.70	A
	CXF4L110-240VBU	4mm ² Ø5X20mm SPR CL FU TB110-240V BLUE	50	EA	100.70	A
ACCESSORIES	PPCX4/3	PARTITION PLATE FOR CX4/3	50	EA	11.40	A
	JX4/2	2 POLE SHRT LNK FR 6MM WIDE SP CL TB	100	EA	17.40	A
	JX4/3	3 POLE SHRT LNK FR 6MM WIDE SP CL TB	50	EA	29.90	A
	JX4/4	4 POLE SHRT LNK FR 6MM WIDE SP CL TB	50	EA	44.90	A
	JX4/10	10 POLE SHRT LNK FR 6MM WIDE SP CL TB	10	EA	104.80	A
	MC6	MARKER CARD 5.95MM PITCH WITH 72 TAGS	1	PKT	698.00	B
		MC6WP	PRNTD MARKER CARD 5.95MM PITCH 72 TAGS	1	PKT	806.00



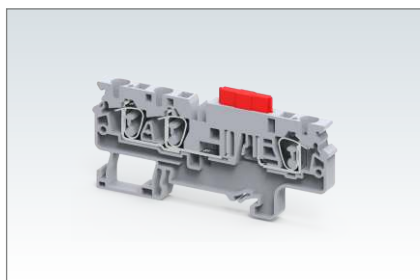
Wire Range CXVF CXVF2.5
 I/P Wire 0.2 - 6.0 mm² 0.2 - 6.0 mm²
 O/P Wire 0.2 - 6.0 mm² 0.2 - 2.5 mm²
 Current (A) : 10 A
 Voltage (V) : 800 V
 Dimensions Width
 (Thickness) x Length : 12 x 76.7 mm
 Height with
 Din 35 x 7.5 mm Rail : 53.4 mm

	Part #	Description	Std. Pack	UOM	List Price in	Group
TERMINAL BLOCK	CXVFA	6 mm ² Ø5X20mm FUSE SPRING CLAMP TB	50	EA	230.50	A
	CXVF2.5A	6mm ² I/P 2X2.5mm ² O/P Ø5X20mm FUSE SPCLTB	50	EA	222.40	A
ACCESSORIES	JX4/4	4 POLE SHRT LNK FR 6MM WIDE SP CL TB	50	EA	44.90	A
	JX4/8	8 POLE SHRT LNK FR 6MM WIDE SP CL TB	10	EA	74.80	A
	JX4/10	10 POLE SHRT LNK FR 6MM WIDE SP CL TB	10	EA	104.80	A
	MC12	MARKER CARD 11.95MM PITCH WITH 36 TAGS	1	PKT	525.00	B
	MC12WP	PRNTD MARKER CARD 11.95MM PITCH 36 TAGS	1	PKT	602.00	B



Wire Range : 0.2 - 4.0 mm²
 Current (A) : 10 A
 Voltage (V) : 1000 V
 Dimensions Width
 (Thickness) x Length : 6 x 86.2 mm
 Height with
 Din 35 x 7.5 mm Rail : 69.1 mm

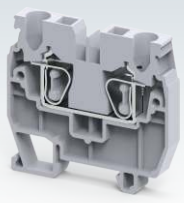
	Part #	Description	Std. Pack	UOM	List Price in	Group
TERMINAL BLOCK	CXF4/3	4mm ² Ø5X20mm SPRING CLAMP FUSE 3 WIRE TB	50	EA	108.30	A
	CXF4/3L6-60V	4 mm ² Ø5X20mm SP CL FUSE 3 WIRE TB 6-60V	50	EA	140.70	A
	CXF4/3L110-240V	4 mm ² Ø5X20mm SP CL FUSE 3W TB 110-240V	50	EA	140.70	A
ACCESSORIES	JX4/2	2 POLE SHRT LNK FR 6MM WIDE SP CL TB	100	EA	17.40	A
	JX4/3	3 POLE SHRT LNK FR 6MM WIDE SP CL TB	50	EA	29.90	A
	JX4/4	4 POLE SHRT LNK FR 6MM WIDE SP CL TB	50	EA	44.90	A
	JX4/10	10 POLE SHRT LNK FR 6MM WIDE SP CL TB	10	EA	104.80	A
	MC6	MARKER CARD 5.95MM PITCH WITH 72 TAGS	1	PKT	698.00	B
	MC6WP	PRNTD MARKER CARD 5.95MM PITCH 72 TAGS	1	PKT	806.00	B












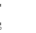
Wire Range : 0.2 - 4 mm²
 Current (A) : 10 A
 Voltage (V) : 1000 V
 Dimensions Width
 (Thickness) x Length : 6 x 86.2 mm
 Height with
 Din 15 mm Rail : 43.2 mm

	Part #	Description	Std. Pack	UOM	List Price in	Group
TERMINAL BLOCK	CXAF4/3	4mm ² SPRING CLAMP AUTOMOTIVE FUSE 3W TB	50	EA	193.70	A
ACCESSORIES	JX4/2	2 POLE SHRT LNK FR 6MM WIDE SP CL TB	100	EA	17.40	A
	JX4/3	3 POLE SHRT LNK FR 6MM WIDE SP CL TB	50	EA	29.90	A
	JX4/4	4 POLE SHRT LNK FR 6MM WIDE SP CL TB	50	EA	44.90	A
	JX4/10	10 POLE SHRT LNK FR 6MM WIDE SP CL TB	10	EA	104.80	A
	MC6	MARKER CARD 5.95MM PITCH WITH 72 TAGS	1	PKT	698.00	B
	MC6WP	PRNTD MARKER CARD 5.95MM PITCH 72 TAGS	1	PKT	806.00	B


CX SERIES SPRING CLAMP TERMINAL BLOCKS














Wire Range : 0.2 - 2.5 mm²
 Current : 24 A
 Voltage : 1000 V
 Dimensions Width (Thickness) x Length : 5 x 37 mm
 Height with Din 15 mm Rail : 35 mm

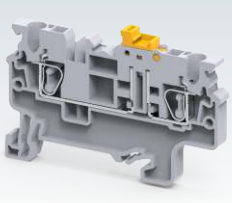
	Part #	Description	Std. Pack	UOM	List Price in	Group
TERMINAL BLOCK	CXM2.5	2.5mm ² FEED THRU SP CL TB FR DIN15 RAIL	100	EA	13.10	A
	CXM2.5BU	2.5MM ² FEED THRU SP CL TB DIN15 RAIL BLU	100	EA	14.40	A
	CXMG2.5	2.5mm ² SP CL GROUND TB FR DIN15 RAIL	100	EA	53.70	A
ACCESSORIES	EPCXM2.5	END PLATE FOR CXM2.5	50	EA	6.20	A
	JX2.5/2	2 POLE SHRT LNK FR 5MM WIDE SP CL TB	100	EA	10.20	A
	JX2.5/3	3 POLE SHRT LNK FR 5MM WIDE SP CL TB	50	EA	17.70	A
	JX2.5/4	4 POLE SHRT LNK FR 5MM WIDE SP CL TB	50	EA	30.30	A
	JX2.5/10	10 POLE SHRT LNK FR 5MM WIDE SP CL TB	10	EA	78.50	A
	Mc5	MARKER CARD 4.95MM PITCH WITH 84 TAGS	1	PKT	817.00	A
	MC5WP	PRNTD MARKER CARD 4.95MM PITCH 84 TAGS	1	PKT	946.00	A














Wire Range : 0.2 - 2.5 mm²
 Current (A) : 24 A
 Voltage (V) : 800 V
 Dimensions Width (Thickness) x Length : 5 x 37 mm
 Height with Din 15 mm Rail : 35 mm

	Part #	Description	Std. Pack	UOM	List Price in	Group
TERMINAL BLOCK	CMS2.5	2.5 mm ² SPRING CL TB FOR DIN15 RAIL	100	EA	13.10	A
ACCESSORIES	EPCMS2.5	END PLATE FOR CMS2.5	50	EA	6.10	A
	MC5	MARKER CARD 4.95MM PITCH WITH 84 TAGS	1	PKT	817.00	B
	MC5WP	PRNTD MARKER CARD 4.95MM PITCH 84 TAGS	1	PKT	946.00	B



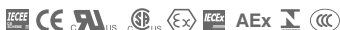
Wire Range : 0.2 - 2.5 mm²
 Current (A) : 20 A
 Voltage (V) : 1000 V
 Dimensions Width (Thickness) x Length : 5 x 60.5 mm
 Height with Din 35 x 7.5 mm Rail : 42.4 mm

	Part #	Description	Std. Pack	UOM	List Price in	Group
TERMINAL BLOCK	CXK2.5	2.5mm ² 2 WIRE KNIFE DISCON SPR CL TB	100	EA	49.00	A
	CXK2.5BU	2.5mm ² 2 WIRE KNIFE DISCON SP CL BLUE	100	EA	53.90	A
ACCESSORIES	EPCX2.5/3	END PLATE FOR CX2.5/3 & CXG2.5/3	50	EA	7.60	A
	PPCX4/3	PARTITION PLATE FOR CX4/3	50	EA	11.40	A
	JX2.5/2	2 POLE SHRT LNK FR 5MM WIDE SP CL TB	100	EA	10.20	A
	JX2.5/3	3 POLE SHRT LNK FR 5MM WIDE SP CL TB	50	EA	17.70	A
	JX2.5/4	4 POLE SHRT LNK FR 5MM WIDE SP CL TB	50	EA	30.30	A
	JX2.5/10	10 POLE SHRT LNK FR 5MM WIDE SP CL TB	10	EA	78.50	A
	MC5	MARKER CARD 4.95MM PITCH WITH 84 TAGS	1	PKT	817.00	B
	MC5WP	PRNTD MARKER CARD 4.95MM PITCH 84 TAGS	1	PKT	946.00	B



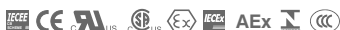
Wire Range : 0.2 - 2.5 mm²
 Current (A) : 20 A
 Voltage (V) : 1000 V
 Dimensions Width
 (Thickness) x Length : 5 x 73 mm
 Height with
 Din 35 x 7.5 mm Rail : 38.2 mm



	Part #	Description	Std. Pack	UOM	List Price in	Group
TERMINAL BLOCK	CXK2.5/4	2.5mm ² 4 WIRE KNIFE DISCON SPR CL TB	50	EA	58.80	A
	CXK2.5/4BU	2.5mm ² 4 WIRE KNIFE DISCON SP CL TB BLUE	50	EA	64.70	A
ACCESSORIES	EPCX2.5/4	END PLATE FOR CX2.5/4&CXK2.5/4&CXG2.5/4	50	EA	8.00	A
	PPCX4/4	PARTITION PLATE FOR CX4/4	50	EA	15.20	A
	JX2.5/2	2 POLE SHRT LNK FR 5MM WIDE SP CL TB	100	EA	10.20	A
	JX2.5/3	3 POLE SHRT LNK FR 5MM WIDE SP CL TB	50	EA	17.70	A
	JX2.5/4	4 POLE SHRT LNK FR 5MM WIDE SP CL TB	50	EA	30.30	A
	JX2.5/10	10 POLE SHRT LNK FR 5MM WIDE SP CL TB	10	EA	78.50	A
	MC5	MARKER CARD 4.95MM PITCH WITH 84 TAGS	1	PKT	817.00	B
MC5WP	PRNTD MARKER CARD 4.95MM PITCH 84 TAGS	1	PKT	946.00	B	



Wire Range : 0.2 - 4.0 mm²
 Current (A) : 22 A
 Voltage (V) : 1000 V
 Dimensions Width
 (Thickness) x Length : 6 x 65.7 mm
 Height with
 Din 35 x 7.5 mm Rail : 42.7 mm



	Part #	Description	Std. Pack	UOM	List Price in	Group
TERMINAL BLOCK	CXK4	4mm ² 2 WIRE KNIFE DISCON SPRNG CLMP TB	100	EA	89.70	A
	CXK4BU	4mm ² 2 WIRE KNIFE DISCON SP CLMP TB BLUE	100	EA	98.70	A
ACCESSORIES	JX4/2	2 POLE SHRT LNK FR 6MM WIDE SP CL TB	100	EA	17.40	A
	JX4/3	3 POLE SHRT LNK FR 6MM WIDE SP CL TB	50	EA	29.90	A
	JX4/4	4 POLE SHRT LNK FR 6MM WIDE SP CL TB	50	EA	44.90	A
	JX4/10	10 POLE SHRT LNK FR 6MM WIDE SP CL TB	10	EA	104.80	A
	MC6	MARKER CARD 5.95MM PITCH WITH 72 TAGS	1	PKT	698.00	B
	MC6WP	PRNTD MARKER CARD 5.95MM PITCH 72 TAGS	1	PKT	806.00	B

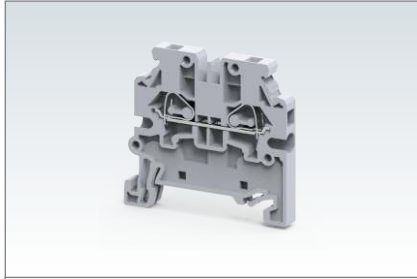


Wire Range : 0.2 - 4 mm²
 Current (A) : 22 A
 Voltage (V) : 1000 V
 Dimensions Width
 (Thickness) x Length : 6 x 86.2 mm
 Height with
 Din 35 x 7.5 mm Rail : 42.7 mm



	Part #	Description	Std. Pack	UOM	List Price in	Group
TERMINAL BLOCK	CXK4/3	4 mm ² 3 WIRE KNIFE DISCON SPRNG CLMP TB	50	EA	141.90	A
ACCESSORIES	EPCX4/4	END PLATE FOR CX4/4 & CXG4/4	50	EA	11.00	A
	JX4/2	2 POLE SHRT LNK FR 6MM WIDE SP CL TB	100	EA	17.40	A
	JX4/3	3 POLE SHRT LNK FR 6MM WIDE SP CL TB	50	EA	29.90	A
	JX4/4	4 POLE SHRT LNK FR 6MM WIDE SP CL TB	50	EA	44.90	A
	JX4/10	10 POLE SHRT LNK FR 6MM WIDE SP CL TB	10	EA	104.80	A
	MC6	MARKER CARD 5.95MM PITCH WITH 72 TAGS	1	PKT	698.00	B
	MC6WP	PRNTD MARKER CARD 5.95MM PITCH 72 TAGS	1	PKT	806.00	B

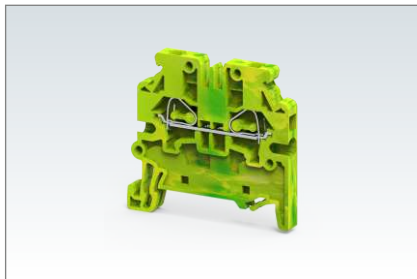
CX SERIES SPRING CLAMP TERMINAL BLOCKS



Wire Range : 0.2 - 2.5 mm²
 Current (A) : 24 A
 Voltage (V) : 1000 V
 Dimensions Width
 (Thickness) x Length : 5 x 45.9 mm
 Height with
 Din 35 x 7.5 mm Rail : 43.3 mm



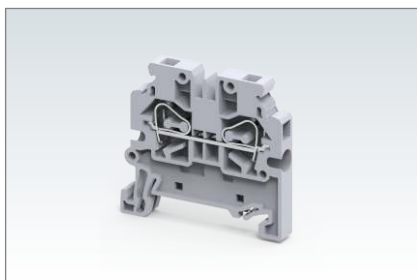
	Part #	Description	Std. Pack	UOM	List Price in	Group
TERMINAL BLOCK	CXS2.5	2.5mm ² FD THRU SIDE ENTRY SPRING CLMP TB	50	EA	11.50	A
	CXS2.5BU	2.5mm ² FD THRU SIDE ENTRY SPRING CL BLUE	50	EA	12.70	A
	CXS2.5BK	2.5mm ² FD THRU SIDE ENTRY SP CL BLACK	50	EA	12.70	A
	CXS2.5R	2.5mm ² FD THRU SIDE ENTRY SP CL RED	50	EA	12.70	A
	CXS2.5Y	2.5mm ² FD THRU SIDE ENTRY SP CL YELLOW	50	EA	12.70	A
	CXS2.5GN	2.5mm ² FD THRU SIDE ENTRY SP CL GREEN	50	EA	12.70	A
ACCESSORIES	EPCXS2.5	END PLATE FOR CXS2.5 & CXS4	50	EA	5.20	A
	JX2.5/2	2 POLE SHRT LNK FR 5MM WIDE SP CL TB	100	EA	10.20	A
	JX2.5/3	3 POLE SHRT LNK FR 5MM WIDE SP CL TB	50	EA	17.70	A
	JX2.5/4	4 POLE SHRT LNK FR 5MM WIDE SP CL TB	50	EA	30.30	A
	JX2.5/10	10 POLE SHRT LNK FR 5MM WIDE SP CL TB	10	EA	78.50	A
	MC5	MARKER CARD 4.95MM PITCH WITH 84 TAGS	1	PKT	817.00	B
	MC5WP	PRNTD MARKER CARD 4.95MM PITCH 84 TAGS	1	PKT	946.00	B



Wire Range : 0.2 - 2.5 mm²
 Dimensions Width
 (Thickness) x Length : 6 x 45.9 mm
 Height with
 Din 35 x 7.5 mm Rail : 43.3 mm



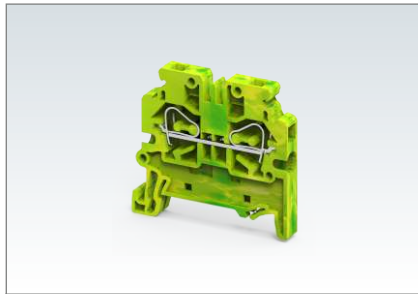
	Part #	Description	Std. Pack	UOM	List Price in	Group
TERMINAL BLOCK	CXSG2.5	2.5mm ² SIDE ENTRY SPRING CLAMP GROUND TB	50	EA	94.50	A
ACCESSORIES	EPCXS2.5	END PLATE FOR CXS2.5 & CXS4	50	EA	5.20	A
	JX2.5/2	2 POLE SHRT LNK FR 5MM WIDE SP CL TB	100	EA	10.20	A
	JX2.5/3	3 POLE SHRT LNK FR 5MM WIDE SP CL TB	50	EA	17.70	A
	JX2.5/4	4 POLE SHRT LNK FR 5MM WIDE SP CL TB	50	EA	30.30	A
	JX2.5/10	10 POLE SHRT LNK FR 5MM WIDE SP CL TB	10	EA	78.50	A
	MC5	MARKER CARD 4.95MM PITCH WITH 84 TAGS	1	PKT	817.00	B
	MC5WP	PRNTD MARKER CARD 4.95MM PITCH 84 TAGS	1	PKT	946.00	B



Wire Range : 0.2 - 4.0 mm²
 Current (A) : 32 A
 Voltage (V) : 1000 V
 Dimensions Width
 (Thickness) x Length : 6 x 45.9 mm
 Height with
 Din 35 x 7.5 mm Rail : 43.3 mm



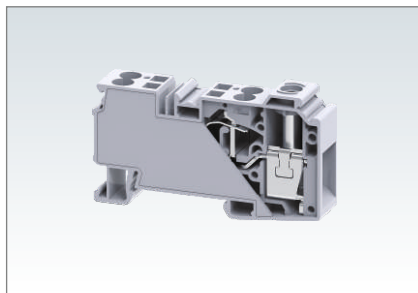
	Part #	Description	Std. Pack	UOM	List Price in	Group
TERMINAL BLOCK	CXS4	4 mm ² FD THRU SIDE ENTRY SPRING CLMP TB	50	EA	18.00	A
	CXS4BU	4 mm ² FD THRU SIDE ENTRY SP CL TB BLU	50	EA	19.80	A
	CXS4BK	4 mm ² FD THRU SIDE ENTRY SP CL TB BLK	50	EA	19.80	A
	CXS4R	4 mm ² FD THRU SIDE ENTRY SP CL TB RED	50	EA	19.80	A
	CXS4GN	4 mm ² FD THRU SIDE ENTRY SP CL TB GRN	50	EA	19.80	A
ACCESSORIES	EPCXS2.5	END PLATE FOR CXS2.5 & CXS4	50	EA	5.20	A
	JX4/2	2 POLE SHRT LNK FR 6MM WIDE SP CL TB	100	EA	17.40	A
	JX4/3	3 POLE SHRT LNK FR 6MM WIDE SP CL TB	50	EA	29.90	A
	JX4/4	4 POLE SHRT LNK FR 6MM WIDE SP CL TB	50	EA	44.90	A
	JX4/10	10 POLE SHRT LNK FR 6MM WIDE SP CL TB	10	EA	104.80	A
	MC6	MARKER CARD 5.95MM PITCH WITH 72 TAGS	1	PKT	698.00	B
	MC6WP	PRNTD MARKER CARD 5.95MM PITCH 72 TAGS	1	PKT	806.00	B



Wire Range Input : 0.2 - 4.00 mm²
 Dimensions Width (Thickness) x Length : 6 x 45.9 mm
 Height with Din 35 x 7.5 mm Rail : 43.3 mm



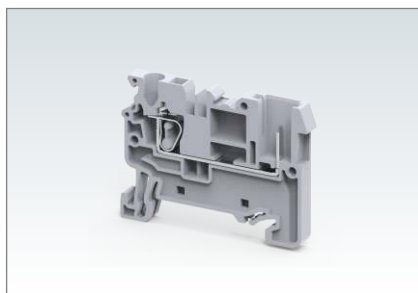
	Part #	Description	Std. Pack	UOM	List Price in	Group
TERMINAL BLOCK	CXSG4	4 mm ² SIDE ENTRY SPRING CLAMP GROUND TB	50	EA	114.50	A
ACCESSORIES	EPCXS2.5	END PLATE FOR CXS2.5 & CXS4	50	EA	5.20	A
	JX4/2	2 POLE SHRT LNK FR 6MM WIDE SP CL TB	100	EA	17.40	A
	JX4/3	3 POLE SHRT LNK FR 6MM WIDE SP CL TB	50	EA	29.90	A
	JX4/4	4 POLE SHRT LNK FR 6MM WIDE SP CL TB	50	EA	44.90	A
	JX4/10	10 POLE SHRT LNK FR 6MM WIDE SP CL TB	10	EA	104.80	A
	MC6	MARKER CARD 5.95MM PITCH WITH 72 TAGS	1	PKT	698.00	B
	MC6WP	PRNTD MARKER CARD 5.95MM PITCH 72 TAGS	1	PKT	806.00	B



Wire Range Input : 1.5 - 35 mm²
 Wire Range Output : 0.2 - 10 mm²
 Current (IP/OP) : 25 A / 41 A
 Voltage (V) : 1000 V
 Dimensions Width (Thickness) x Length : 16 x 81.6 mm
 Height with Din 35 x 7.5 mm Rail : 46.8 mm



	Part #	Description	Std. Pack	UOM	List Price in	Group
TERMINAL BLOCK	CXDB35/10	1X35mm ² I/P 4X10mm ² O/P HYBRID TERMINAL	20	EA	204.80	A
ACCESSORIES	JX6/2	2 POLE SHRT LNK FR 8MM WIDE SP CL TB	100	EA	26.30	A
	JX6/3	3 POLE SHRT LNK FR 8MM WIDE SP CL TB	50	EA	44.90	A
	JX6/4	4 POLE SHRT LNK FR 8MM WIDE SP CL TB	50	EA	62.90	A
	JX6/10	10 POLE SHRT LNK FR 8MM WIDE SP CL TB	10	EA	149.60	A
	MC8	MARKER CARD 7.95MM PITCH WITH 48 TAGS	1	PKT	532.00	B
	MC8WP	PRNTD MARKER CARD 7.95MM PITCH 48 TAGS	1	PKT	618.00	B
	MC16	MARKER CARD 15.95MM PITCH WITH 30 TAGS	1	PKT	415.00	B
MC16WP	PRNTD MARKER CARD 15.95MM PITCH 30 TAGS	1	PKT	485.00	B	

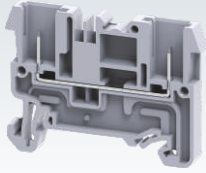


Wire Range : 0.2 - 2.5 mm²
 Current (A) : 24 A
 Voltage (V) : 500 V
 Dimensions Width (Thickness) x Length : 5 x 50.8 mm
 Height with Din 35 x 7.5 mm Rail : 38.2 mm



	Part #	Description	Std. Pack	UOM	List Price in	Group
TERMINAL BLOCK	CX2.5/1B	2.5 mm ² PLUGABLE SPRNG CL FD THRU TB	100	EA	26.60	A
	CXG2.5/1B	2.5 mm ² PLUGABLE SPRING CLAMP GROUND TB	100	EA	95.00	A
ACCESSORIES	EPCX2.5	END PLATE FOR CX2.5/CXG2.5	50	EA	6.10	A
	JX2.5/2	2 POLE SHRT LNK FR 5MM WIDE SP CL TB	100	EA	10.20	A
	JX2.5/3	3 POLE SHRT LNK FR 5MM WIDE SP CL TB	50	EA	17.70	A
	JX2.5/4	4 POLE SHRT LNK FR 5MM WIDE SP CL TB	50	EA	30.30	A
	JX2.5/10	10 POLE SHRT LNK FR 5MM WIDE SP CL TB	10	EA	78.50	A
	MC5	MARKER CARD 4.95MM PITCH WITH 84 TAGS	1	PKT	817.00	B
	MC5WP	PRNTD MARKER CARD 4.95MM PITCH 84 TAGS	1	PKT	946.00	B

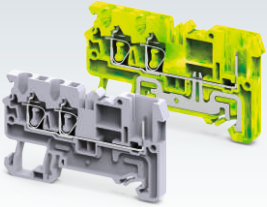
CX SERIES SPRING CLAMP TERMINAL BLOCKS



Wire Range : 0.2 - 2.5 mm²
 Current (A) : 24 A
 Voltage (V) : 500 V
 Dimensions Width
 (Thickness) x Length : 5 x 51.2 mm
 Height with
 Din 35 x 7.5 mm Rail : 38.2 mm

CE

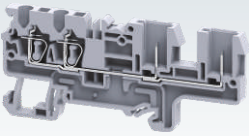
	Part #	Description	Std. Pack	UOM	List Price in	Group
TERMINAL BLOCK	CX2.5/2B	2.5 mm ² PLUGABLE FEED THRU TB	100	EA	24.80	A
	CXG2.5/2B	2.5 mm ² PLUGABLE GROUND TB	100	EA	93.20	A
ACCESSORIES	EPCX2.5	END PLATE FOR CX2.5/CXG2.5	50	EA	6.10	A
	PPCX4	PARTITION PLATE FOR CX4	20	EA	9.20	A
	JX2.5/2	2 POLE SHRT LNK FR 5MM WIDE SP CL TB	100	EA	10.20	A
	JX2.5/3	3 POLE SHRT LNK FR 5MM WIDE SP CL TB	50	EA	17.70	A
	JX2.5/4	4 POLE SHRT LNK FR 5MM WIDE SP CL TB	50	EA	30.30	A
	JX2.5/10	10 POLE SHRT LNK FR 5MM WIDE SP CL TB	10	EA	78.50	A
	MC5	MARKER CARD 4.95MM PITCH WITH 84 TAGS	1	PKT	817.00	B
MC5WP	PRNTD MARKER CARD 4.95MM PITCH 84 TAGS	1	PKT	946.00	B	



Wire Range : 0.2 - 2.5 mm²
 Current (A) : 24 A
 Voltage (V) : 500 V
 Dimensions Width
 (Thickness) x Length : 5 x 63 mm
 Height with
 Din 35 x 7.5 mm Rail : 38.2 mm

CE

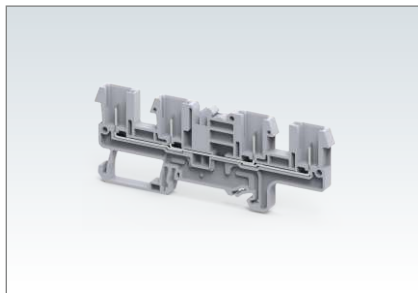
	Part #	Description	Std. Pack	UOM	List Price in	Group
TERMINAL BLOCK	CX2.5/3/1B	2.5mm ² 3 WIRE 1 PLUGABLE SP CL FD THR TB	100	EA	34.50	A
	CXG2.5/3/1B	2.5 mm ² 3 WIRE PLUGABLE SP CL GROUND TB	100	EA	115.60	A
ACCESSORIES	EPCX2.5/3	END PLATE FOR CX2.5/3 & CXG2.5/3	50	EA	7.60	A
	PPCX4/3	PARTITION PLATE FOR CX4/3	20	EA	11.40	A
	JX2.5/2	2 POLE SHRT LNK FR 5MM WIDE SP CL TB	100	EA	10.20	A
	JX2.5/3	3 POLE SHRT LNK FR 5MM WIDE SP CL TB	50	EA	17.70	A
	JX2.5/4	4 POLE SHRT LNK FR 5MM WIDE SP CL TB	50	EA	30.30	A
	JX2.5/10	10 POLE SHRT LNK FR 5MM WIDE SP CL TB	10	EA	78.50	A
	MC5	MARKER CARD 4.95MM PITCH WITH 84 TAGS	1	PKT	817.00	B
MC5WP	PRNTD MARKER CARD 4.95MM PITCH 84 TAGS	1	PKT	946.00	B	



Wire Range : 0.2 - 2.5 mm²
 Current (A) : 24 A
 Voltage (V) : 500 V
 Dimensions Width
 (Thickness) x Length : 5 x 83.5 mm
 Height with
 Din 35 x 7.5 mm Rail : 38.2 mm

CE

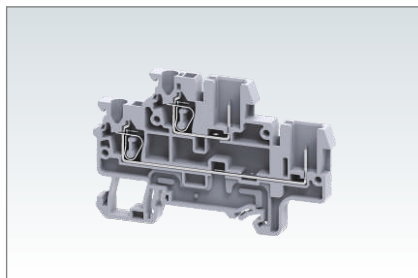
	Part #	Description	Std. Pack	UOM	List Price in	Group
TERMINAL BLOCK	CX2.5/4/2B	2.5 mm ² 4 WIRE PLUGABLE SP CL TER	50	EA	40.40	A
	CX2.5/4/2B	2.5 mm ² 4 WIRE PLUGABLE SP CL TER	50	EA	40.40	A
	CXG2.5/4/2B	2.5 mm ² 4 WIRE PLUGABLE SP CL GRO	100	EA	133.10	A
ACCESSORIES	EPCX2.5/4/2B	END PLATE FOR CX2.5/4/2B	50	EA	14.00	A
	JX2.5/2	2 POLE SHRT LNK FR 5MM WIDE SP CL TB	100	EA	10.20	A
	JX2.5/3	3 POLE SHRT LNK FR 5MM WIDE SP CL TB	50	EA	17.70	A
	JX2.5/4	4 POLE SHRT LNK FR 5MM WIDE SP CL TB	50	EA	30.30	A
	JX2.5/10	10 POLE SHRT LNK FR 5MM WIDE SP CL TB	10	EA	78.50	A
	MC5	MARKER CARD 4.95MM PITCH WITH 84 TAGS	1	PKT	817.00	B
	MC5WP	PRNTD MARKER CARD 4.95MM PITCH 84 TAGS	1	PKT	946.00	B



Wire Range : 0.2 - 2.5 mm²
 Current (A) : 24 A
 Voltage (V) : 500 V
 Dimensions Width
 (Thickness) x Length : 5 x 97.2 mm
 Height with
 Din 35 x 7.5 mm Rail : 38.2 mm



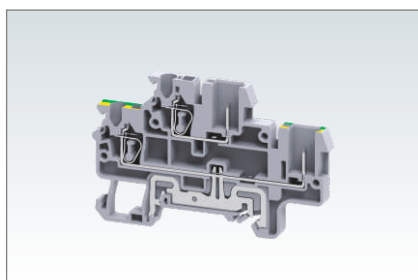
	Part #	Description	Std. Pack	UOM	List Price in	Group
TERMINAL BLOCK	CX2.5/4/4B	2.5 mm ² 4 WIRE PLUGABLE FEED THRU	50	EA	35.00	A
	CXG2.5/4/4B	2.5 mm ² 4 WIRE PLUGABLE GROUND TE	50	EA	128.30	A
ACCESSORIES	EPCX2.5/4/4B	END PLATE FOR CX2.5/4/4B	50	EA	16.80	A
	JX2.5/2	2 POLE SHRT LNK FR 5MM WIDE SP CL TB	100	EA	10.20	A
	JX2.5/3	3 POLE SHRT LNK FR 5MM WIDE SP CL TB	50	EA	17.70	A
	JX2.5/4	4 POLE SHRT LNK FR 5MM WIDE SP CL TB	50	EA	30.30	A
	JX2.5/10	10 POLE SHRT LNK FR 5MM WIDE SP CL TB	10	EA	78.50	A
	MC5	MARKER CARD 4.95MM PITCH WITH 84 TAGS	1	PKT	817.00	B
	MC5WP	PRNTD MARKER CARD 4.95MM PITCH 84 TAGS	1	PKT	946.00	B



Wire Range : 0.2 - 2.5 mm²
 Current (A) : 24 A
 Voltage (V) : 500 V
 Dimensions Width
 (Thickness) x Length : 5 x 78 mm
 Height with
 Din 35 x 7.5 mm Rail : 49.5 mm



	Part #	Description	Std. Pack	UOM	List Price in	Group
TERMINAL BLOCK	CXDL2.5/2B	2.5 mm ² 2 LEVEL PLUGABLE SP CL TB	50	EA	63.20	A
ACCESSORIES	EPCXDL2.5/2B	END PLATE FOR CXDL2.5/2B	50	EA	16.80	A
	JX2.5/2	2 POLE SHRT LNK FR 5MM WIDE SP CL TB	100	EA	10.20	A
	JX2.5/3	3 POLE SHRT LNK FR 5MM WIDE SP CL TB	50	EA	17.70	A
	JX2.5/4	4 POLE SHRT LNK FR 5MM WIDE SP CL TB	50	EA	30.30	A
	JX2.5/10	10 POLE SHRT LNK FR 5MM WIDE SP CL TB	10	EA	78.50	A
	MC5	MARKER CARD 4.95MM PITCH WITH 84 TAGS	1	PKT	817.00	B
	MC5WP	PRNTD MARKER CARD 4.95MM PITCH 84 TAGS	1	PKT	946.00	B

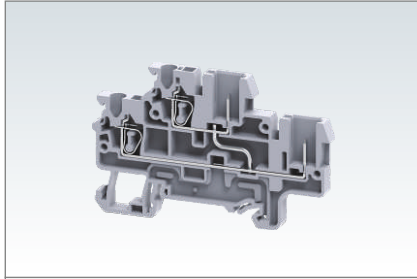


Wire Range : 0.2 - 2.5 mm²
 Current (A) : 24 A
 Voltage (V) : 500 V
 Dimensions Width
 (Thickness) x Length : 5 x 78 mm
 Height with
 Din 35 x 7.5 mm Rail : 49.5 mm



	Part #	Description	Std. Pack	UOM	List Price in	Group
TERMINAL BLOCK	CXDLG2.5/2B	2.5 mm ² 2 LEVEL PLUGABLE SP CL GR	50	EA	196.50	A
ACCESSORIES	EPCXDL2.5/2B	END PLATE FOR CXDL2.5/2B	50	EA	16.80	A
	JX2.5/2	2 POLE SHRT LNK FR 5MM WIDE SP CL TB	100	EA	10.20	A
	JX2.5/3	3 POLE SHRT LNK FR 5MM WIDE SP CL TB	50	EA	17.70	A
	JX2.5/4	4 POLE SHRT LNK FR 5MM WIDE SP CL TB	50	EA	30.30	A
	JX2.5/10	10 POLE SHRT LNK FR 5MM WIDE SP CL TB	10	EA	78.50	A
	MC5	MARKER CARD 4.95MM PITCH WITH 84 TAGS	1	PKT	817.00	B
	MC5WP	PRNTD MARKER CARD 4.95MM PITCH 84 TAGS	1	PKT	946.00	B

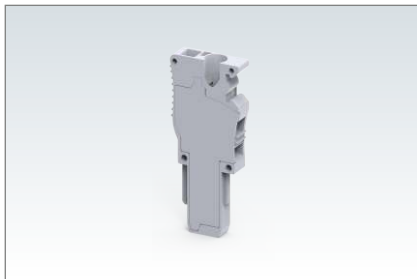
CX SERIES SPRING CLAMP TERMINAL BLOCKS



Wire Range : 0.2 - 2.5 mm²
 Current (A) : 24 A
 Voltage (V) : 500 V
 Dimensions Width
 (Thickness) x Length : 5 x 78 mm
 Height with
 Din 35 x 7.5 mm Rail : 49.5 mm



	Part #	Description	Std. Pack	UOM	List Price in	Group
TERMINAL BLOCK	CXDL2.5/2B(I.S)	2.5mm ² 2 LVL PLUGABLE SP CL INT S	50	EA	91.70	A
	CXDLG2.5/2B(I.S)	2.5 mm ² 2 LVL PLUGABLE SPRING CL GRN	50	EA	296.60	A
ACCESSORIES	EPCXDL2.5/2B	END PLATE FOR CXDL2.5/2B	50	EA	16.80	A
	JX2.5/2	2 POLE SHRT LNK FR 5MM WIDE SP CL TB	100	EA	10.20	A
	JX2.5/3	3 POLE SHRT LNK FR 5MM WIDE SP CL TB	50	EA	17.70	A
	JX2.5/4	4 POLE SHRT LNK FR 5MM WIDE SP CL TB	50	EA	30.30	A
	JX2.5/10	10 POLE SHRT LNK FR 5MM WIDE SP CL TB	10	EA	78.50	A
	MC5	MARKER CARD 4.95MM PITCH WITH 84 TAGS	1	PKT	817.00	B
	MC5WP	PRNTD MARKER CARD 4.95MM PITCH 84 TAGS	1	PKT	946.00	B



Wire Range : 0.2 - 2.5 mm²
 Current (A) : 24 A
 Voltage (V) : 500 V
 Dimensions Width
 (Thickness) x Length : 5 x 17.5 mm
 Height : 42 mm



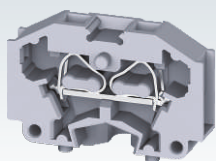
	Part #	Description	Std. Pack	UOM	List Price in	Group
TERMINAL BLOCK	CX2.5PN	2.5 mm ² 1 POLE PLUG SPRING CLAMP TB	50	EA	31.00	A
	CX2.5PLN	2.5 mm ² 1 POLE PLUG SP CL STACK END TB	50	EA	31.00	A
ACCESSORIES	MC5	MARKER CARD 4.95MM PITCH WITH 84 TAGS	1	PKT	817.00	B
	MC5WP	PRNTD MARKER CARD 4.95MM PITCH 84 TAGS	1	PKT	946.00	B



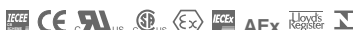
Wire Range : 0.2 - 2.5 mm²
 Current (A) : 24 A
 Voltage (V) : 500 V
 Dimensions Width
 (Thickness) x Length : 5 x 18 mm
 Height (Panel Mount) : 40 mm



	Part #	Description	Std. Pack	UOM	List Price in	Group
TERMINAL BLOCK	CX2.5SN	2.5 mm ² 1 POLE SOCKET SPRING CLAMP TB	50	EA	34.20	A
	EPCX2.5SN	END PLATE FOR CX2.5SN	50	EA	6.30	A
ACCESSORIES	MC5	MARKER CARD 4.95MM PITCH WITH 84 TAGS	1	PKT	817.00	B
	MC5WP	PRNTD MARKER CARD 4.95MM PITCH 84 TAGS	1	PKT	946.00	B



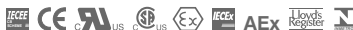
Wire Range : 0.2 - 1.5 mm²
 Current (A) : 17 A
 Voltage (V) : 500 V
 Dimensions Width
 (Thickness) x Length : 5 x 26.5 mm
 Height (Panel Mount) : 18 mm



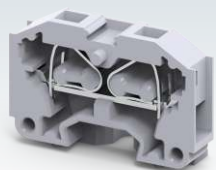
	Part #	Description	Std. Pack	UOM	List Price in	Group
TERMINAL BLOCK	CM1.5S	1.5 mm ² PANEL MOUNT SPRING CLMP 2 WRE TB	100	EA	7.40	A
	CM1.5SBU	1.5 mm ² PANEL MOUNT SP CL 2 WRE TB BLU	100	EA	8.10	A
	CM1.5SBK	1.5 mm ² PANEL MOUNT SP CL 2 WRE TB BLK	100	EA	8.10	A
	CM1.5SR	1.5 mm ² PANEL MOUNT SP CL 2 WRE TB RED	100	EA	8.10	A
	CM1.5SY	1.5 mm ² PANEL MOUNT SP CL 2 WRE TB YLW	100	EA	8.10	A
	CM1.5SGN	1.5 mm ² PANEL MOUNT SP CL 2 WIRE GREEN	100	EA	8.10	A
	CM1.5SO	1.5 mm ² PANEL MOUNT SP CL 2 WRE TB ORG	100	EA	8.10	A
ACCESSORIES	CM1.5SYG	1.5 mm ² PANEL MOUNT SP CL 2W TB YLW GRN	100	EA	8.10	A
	EPCM1.5S	END PLATE FOR CM1.5S/S2	50	EA	3.90	A
	MC4	MARKER CARD 4.5MM PITCH WITH 84 TAGS	1	PKT	817.00	B
	MC4WP	PRNTD MARKER CARD 4.5MM PITCH 84 TAGS	1	PKT	946.00	B



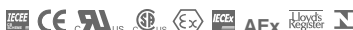
Wire Range : 0.2 - 1.5 mm²
 Current (A) : 17 A
 Voltage (V) : 500 V
 Dimensions Width
 (Thickness) x Length : 8 x 26.5 mm
 Height (Panel Mount) : 18 mm



	Part #	Description	Std. Pack	UOM	List Price in	Group
TERMINAL BLOCK	CM1.5S2	1.5 mm ² PANEL MOUNT SPRING CLMP 4 WRE TB	100	EA	12.70	A
	CM1.5S2BU	1.5 mm ² PANEL MOUNT SPRING CLMP 4 WRE TB	100	EA	14.00	A
	CM1.5S2BK	1.5 mm ² PANEL MOUNT SP CL 4 WRE BLACK	100	EA	14.00	A
	CM1.5S2R	1.5 mm ² PANEL MOUNT SP CL 4 WRE RED	100	EA	14.00	A
	CM1.5S2Y	1.5 mm ² PANEL MOUNT SP CL 4 WRE YELLOW	100	EA	14.00	A
	CM1.5S2O	1.5 mm ² PANEL MOUNT SP CL 4 WRE ORANGE	100	EA	14.00	A
	CM1.5S2YG	1.5 mm ² PANEL MOUNT SP CL 4W TB YLW GRN	100	EA	14.00	A
ACCESSORIES	EPCM1.5S	END PLATE FOR CM1.5S/S2	50	EA	3.90	A
	CA509/K7.5WHT	7.5 mm WIDE MARKER BLANK	1	PKT	87.60	B
	CA509/K7.5WP	7.5 mm WIDE MARKER PRINTED	1	PKT	100.10	B

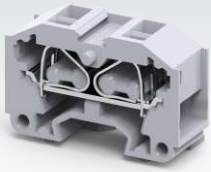


Wire Range : 0.34 - 2.5 mm²
 Current (A) : 24 A
 Voltage (V) : 500 V
 Dimensions Width
 (Thickness) x Length : 6 x 30 mm
 Height (Panel Mount) : 20 mm



	Part #	Description	Std. Pack	UOM	List Price in	Group
TERMINAL BLOCK	CM2.5S	2.5 mm ² PANEL MOUNT SPRING CLMP 2 WRE TB	100	EA	8.60	A
	CM2.5SBU	2.5 mm ² PANEL MOUNT SP CL 2 WRE TB BLU	100	EA	9.50	A
	CM2.5SBK	2.5 mm ² PANEL MOUNT SP CL 2 WRE TB BLK	100	EA	9.50	A
	CM2.5SR	2.5 mm ² PANEL MOUNT SPG CLMP 2WRE TB RED	100	EA	9.50	A
	CM2.5SY	2.5 mm ² PANEL MOUNT SP CL 2 WRE TB YLW	100	EA	9.50	A
	CM2.5SGN	2.5 mm ² PANEL MOUNT SP CL 2 WRE TB GRN	100	EA	9.50	A
	CM2.5SO	2.5 mm ² PANEL MOUNT SP CL 2 WRE TB ORG	100	EA	9.50	A
ACCESSORIES	CM2.5SYG	2.5 mm ² PANEL MOUNT SP CL 2W TB YLW GRN	100	EA	9.50	A
	EPCM2.5S	END PLATE FOR CM2.5S/S2	50	EA	4.20	A
	MC2	MARKER CARD 6.25MM PITCH WITH 72 TAGS	1	PKT	698.00	B
	MC2WP	PRNTD MARKER CARD 6.25MM PITCH 72 TAGS	1	PKT	806.00	B

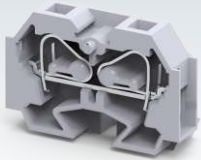
CM SERIES PUSH-IN TERMINAL BLOCKS



Wire Range : 0.34 - 2.5 mm²
 Current (A) : 24 A
 Voltage (V) : 500 V
 Dimensions Width
 (Thickness) x Length : 10 x 30 mm
 Height (Panel Mount) : 20 mm



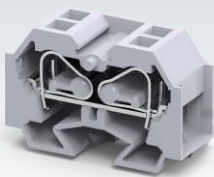
	Part #	Description	Std. Pack	UOM	List Price in	Group
TERMINAL BLOCK	CM2.5S2	2.5 mm ² PANEL MOUNT SPRING CLMP 4 WRE TB	100	EA	16.10	A
	CM2.5S2BU	2.5 mm ² PANEL MOUNT SP CL 4 WRE TB BLU	100	EA	17.70	A
	CM2.5S2BK	2.5 mm ² PANEL MOUNT SP CL 4 WRE TB BLK	100	EA	17.70	A
	CM2.5S2R	2.5 mm ² PANEL MOUNT SPG CLMP 4WRE TB RED	100	EA	17.70	A
	CM2.5S2Y	2.5 mm ² PANEL MOUNT SP CL 4 WRE TB YLW	100	EA	17.70	A
	CM2.5S2GN	2.5 mm ² PANEL MOUNT SP CL 4 WRE TB GRN	100	EA	17.70	A
	CM2.5S2O	2.5 mm ² PANEL MOUNT SP CL 4 WIRE TB ORG	100	EA	17.70	A
ACCESSORIES	CM2.5S2YG	2.5 mm ² PANEL MOUNT SP CL 4W TB YLW GRN	100	EA	17.70	A
	EPCM2.5S	END PLATE FOR CM2.5S/S2	50	EA	4.20	A
	CA509/K7.5WHT	7.5 mm WIDE MARKER BLANK	1	PKT	87.60	B
	CA509/K7.5WP	7.5 mm WIDE MARKER PRINTED	1	PKT	100.10	B



Wire Range : 0.2 - 4.0 mm²
 Current (A) : 32 A
 Voltage (V) : 630 V
 Dimensions Width
 (Thickness) x Length : 7 x 33.7 mm
 Height (Panel Mount) : 23 mm



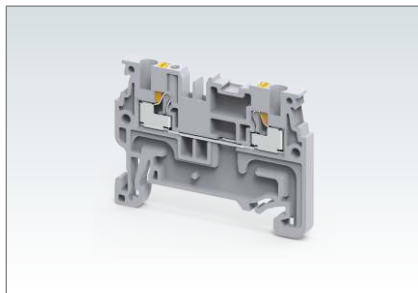
	Part #	Description	Std. Pack	UOM	List Price in	Group
TERMINAL BLOCK	CM4S	4mm ² PANEL MOUNT SP CL SIDE ENTRY 2W TB	100	EA	14.20	A
	CM4SBU	4mm ² PANEL MOUNT SP CL SIDE ENTRY TB BLU	100	EA	15.60	A
	CM4SBK	4mm ² PANEL MOUNT SP CL SIDE ENTRY TB BLK	100	EA	15.60	A
	CM4SR	4mm ² PANEL MOUNT SP CL SIDE ENTRY TB RED	100	EA	15.60	A
	CM4SY	4mm ² PANEL MOUNT SP CL SIDE ENTRY TB YLW	100	EA	15.60	A
	CM4SGN	4mm ² PANEL MOUNT SP CL SIDE ENTRY TB GRN	100	EA	15.60	A
	CM4SO	4mm ² PANEL MOUNT SP CL SIDE ENTRY TB ORG	100	EA	15.60	A
ACCESSORIES	CM4SYG	4mm ² PANEL MOUNT SP CL 2W TB YLW GRN	100	EA	15.60	A
	EPCM4S	END PLATE FOR CM4S/S2	50	EA	6.80	A
	MC6	MARKER CARD 5.95MM PITCH WITH 72 TAGS	1	PKT	698.00	B
	MC6WP	PRNTD MARKER CARD 5.95MM PITCH 72 TAGS	1	PKT	806.00	B



Wire Range : 0.2 - 0.4 mm²
 Current (A) : 32 A
 Voltage (V) : 630 V
 Dimensions Width
 (Thickness) x Length : 12 x 33.7 mm
 Height with
 Din 35 x 7.5 mm Rail : 23 mm



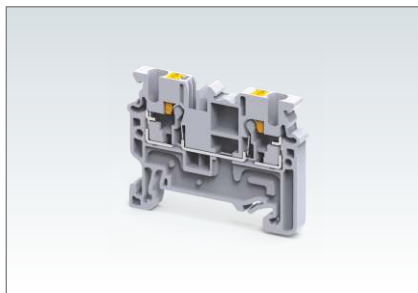
	Part #	Description	Std. Pack	UOM	List Price in	Group
TERMINAL BLOCK	CM4S2	4mm ² PANEL MOUNT SP CL SIDE ENTRY 4W TB	100	EA	25.70	A
	CM4S2BU	4mm ² PANEL MOUNT SP CL SIDE ENTRY TB BLU	100	EA	28.30	A
	CM4S2BK	4mm ² PANEL MOUNT SP CL SIDE ENTRY TB BLK	100	EA	28.30	A
	CM4S2R	4mm ² PANEL MOUNT SP CL SIDE ENTRY TB RED	100	EA	28.30	A
	CM4S2Y	4mm ² PANEL MOUNT SP CL SIDE ENTRY TB YLW	100	EA	28.30	A
	CM4S2O	4mm ² PANEL MOUNT SP CL SIDE ENTRY TB ORG	100	EA	28.30	A
	CM4S2YG	4mm ² PANEL MOUNT SP CL 4W TB YLW GRN	100	EA	28.30	A
ACCESSORIES	EPCM4S	END PLATE FOR CM4S/S2	50	EA	6.80	A
	MC12	MARKER CARD 11.95MM PITCH WITH 36 TAGS	1	PKT	525.00	B
	MC12WP	PRNTD MARKER CARD 11.95MM PITCH 36 TAGS	1	PKT	602.00	B



Wire Range : 0.2 - 1.5 mm²
 Current (A) : 15 A
 Voltage (V) : 800 V
 Dimensions Width
 (Thickness) x Length : 3.5 x 45.3 mm
 Height with
 Din 35 x 7.5 mm Rail : 34.1 mm



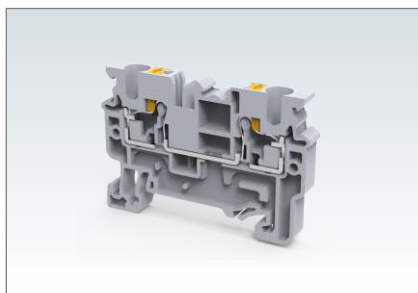
	Part #	Description	Std. Pack	UOM	List Price in	Group
TERMINAL BLOCK	CP1.5	1.5 mm ² FEED THRU PUSH IN TERMINAL BLOCK	100	EA	13.10	A
	CPG1.5	1.5 mm ² PUSH IN GROUND TERMINAL	100	EA	69.20	A
ACCESSORIES	EPCP1.5	END PLATE FOR CP1.5	50	EA	5.80	A
	JX1.5/2	2 POLE SHRT LNK FR 3.5MM WIDE SP CL TB	100	EA	9.60	A
	JX1.5/3	3 POLE SHRT LNK FR 3.5MM WIDE SP CL TB	50	EA	16.70	A
	JX1.5/4	4 POLE SHRT LNK FR 3.5MM WIDE SP CL TB	50	EA	30.30	A
	JX1.5/10	10 POLE SHRT LNK FR 3.5MM WIDE SP CL TB	10	EA	77.80	A
	MS3.5WHT	MS3.5 100 MT HOR PRINT MARKER BLANK	1	PKT	83.70	A
	MS3.5WP	MS3.5 100 MT HOR PRINTED MARKERS WHT	1	PKT	95.60	A



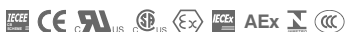
Wire Range : 0.2 - 2.5 mm²
 Current (A) : 24 A
 Voltage (V) : 1000 V
 Dimensions Width
 (Thickness) x Length : 5 x 48 mm
 Height with
 Din 35 x 7.5 mm Rail : 38.3 mm



	Part #	Description	Std. Pack	UOM	List Price in	Group
TERMINAL BLOCK	CP2.5	2.5 mm ² FEED THRU PUSH IN TERMINAL BLOCK	100	EA	13.90	A
	CPG2.5	2.5 mm ² FEED THRU PUSH IN GROUND TERMINAL	100	EA	88.80	A
ACCESSORIES	EPCX2.5	END PLATE FOR CX2.5/CXG2.5	50	EA	6.10	A
	JX2.5/2	2 POLE SHRT LNK FR 5MM WIDE SP CL TB	100	EA	10.20	A
	JX2.5/3	3 POLE SHRT LNK FR 5MM WIDE SP CL TB	50	EA	17.70	A
	JX2.5/4	4 POLE SHRT LNK FR 5MM WIDE SP CL TB	50	EA	30.30	A
	JX2.5/10	10 POLE SHRT LNK FR 5MM WIDE SP CL TB	10	EA	78.50	A
	MC5	MARKER CARD 4.95MM PITCH WITH 84 TAGS	1	PKT	817.00	B
	MC5WP	PRNTD MARKER CARD 4.95MM PITCH 84 TAGS	1	PKT	946.00	B

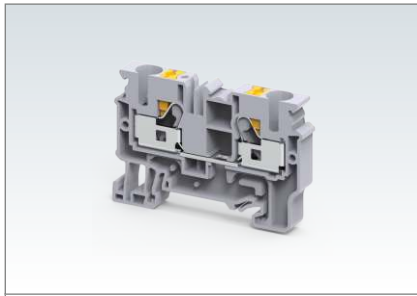


Wire Range : 0.2 - 4 mm²
 Current (A) : 32 A
 Voltage (V) : 1000 V
 Dimensions Width
 (Thickness) x Length : 6 x 54.8 mm
 Height with
 Din 35 x 7.5 mm Rail : 38.3 mm



	Part #	Description	Std. Pack	UOM	List Price in	Group
TERMINAL BLOCK	CP4	4 mm ² FEED THRU PUSH IN TERMINAL BLOCK	100	EA	23.70	A
	CPG4	4 mm ² PUSH IN GROUND TERMINAL BLOCK	100	EA	89.80	A
ACCESSORIES	EPCX4	END PLATE FOR CX4 & CXG4	50	EA	7.30	A
	JX4/2	2 POLE SHRT LNK FR 6MM WIDE SP CL TB	100	EA	17.40	A
	JX4/3	3 POLE SHRT LNK FR 6MM WIDE SP CL TB	50	EA	29.90	A
	JX4/4	4 POLE SHRT LNK FR 6MM WIDE SP CL TB	50	EA	44.90	A
	JX4/10	10 POLE SHRT LNK FR 6MM WIDE SP CL TB	10	EA	104.80	A
	MC6	MARKER CARD 5.95MM PITCH WITH 72 TAGS	1	PKT	698.00	B
	MC6WP	PRNTD MARKER CARD 5.95MM PITCH 72 TAGS	1	PKT	806.00	B

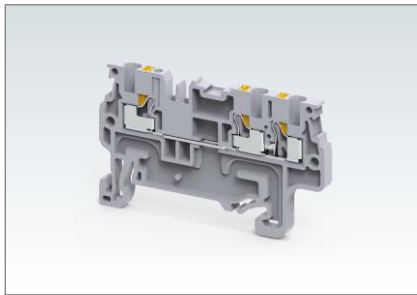
CP SERIES PUSH-IN TERMINAL BLOCKS



Wire Range : 0.5 - 10 mm²
 Current (A) : 57 A
 Voltage (V) : 1000 V
 Dimensions Width
 (Thickness) x Length : 8 x 62.8 mm
 Height with
 Din 35 x 7.5 mm Rail : 43 mm



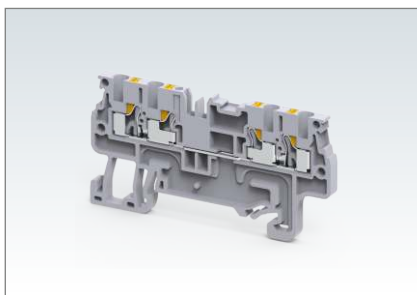
	Part #	Description	Std. Pack	UOM	List Price in	Group
TERMINAL BLOCK	CP6/10	10 mm ² FEED THRU PUSH IN TERMINAL BLOCK	100	EA	78.60	A
	CPG6/10	10 mm ² PUSH IN GROUND TERMINAL BLOCK	100	EA	225.10	A
ACCESSORIES	EPCX6	END PLATE FOR CX6 & CXG6	50	EA	8.80	A
	JX6/2	2 POLE SHRT LNK FR 8MM WIDE SP CL TB	100	EA	26.30	A
	JX6/3	3 POLE SHRT LNK FR 8MM WIDE SP CL TB	50	EA	44.90	A
	JX6/4	4 POLE SHRT LNK FR 8MM WIDE SP CL TB	50	EA	62.90	A
	JX6/10	10 POLE SHRT LNK FR 8MM WIDE SP CL TB	10	EA	149.60	A
	MC8	MARKER CARD 7.95MM PITCH WITH 48 TAGS	1	PKT	532.00	B
	MC8WP	PRNTD MARKER CARD 7.95MM PITCH 48 TAGS	1	PKT	618.00	B



Wire Range : 0.2 - 1.5 mm²
 Current (A) : 15 A
 Voltage (V) : 800 V
 Dimensions Width
 (Thickness) x Length : 3.5 x 56.1 mm
 Height with
 Din 35 x 7.5 mm Rail : 34.1 mm



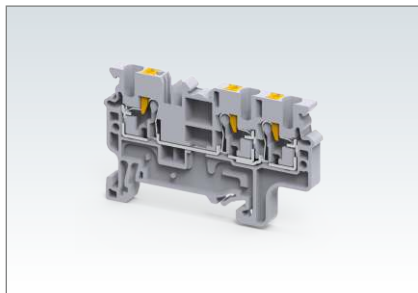
	Part #	Description	Std. Pack	UOM	List Price in	Group
TERMINAL BLOCK	CP1.5/3	1.5 mm ² FEED THRU 3 WIRE PUSH IN TB	100	EA	27.00	A
	CPG1.5/3	1.5 mm ² GND 3 WIRE PUSH IN TB	100	EA	93.20	A
ACCESSORIES	EPCP1.5/3	END PLATE FOR CP1.5/3	50	EA	7.30	A
	JX1.5/2	2 POLE SHRT LNK FR 3.5MM WIDE SP CL TB	100	EA	9.60	A
	JX1.5/3	3 POLE SHRT LNK FR 3.5MM WIDE SP CL TB	50	EA	16.70	A
	JX1.5/4	4 POLE SHRT LNK FR 3.5MM WIDE SP CL TB	50	EA	30.30	A
	JX1.5/10	10 POLE SHRT LNK FR 3.5MM WIDE SP CL TB	10	EA	77.80	A
	MS3.5WHT	MS3.5 100 MT HOR PRINT MARKER BLANK	1	PKT	83.70	A
	MS3.5WP	MS3.5 100 MT HOR PRINTED MARKERS WHT	1	PKT	95.60	A



Wire Range : 0.2 - 1.5 mm²
 Current (A) : 15 A
 Voltage (V) : 800 V
 Dimensions Width
 (Thickness) x Length : 3.5 x 66.9 mm
 Height with
 Din 35 x 7.5 mm Rail : 34.1 mm



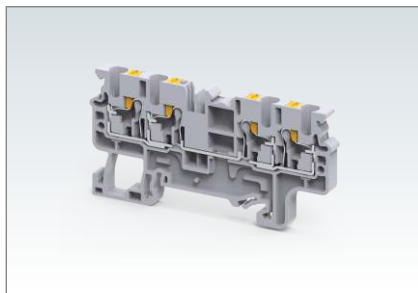
	Part #	Description	Std. Pack	UOM	List Price in	Group
TERMINAL BLOCK	CP1.5/4	1.5 mm ² FEED THRU 4 WIRE PUSH IN TB	100	EA	29.80	A
	CPG1.5/4	1.5 mm ² GND 4 WIRE PUSH IN TB	100	EA	115.80	A
ACCESSORIES	EPCP1.5/4	END PLATE FOR CP1.5/4	50	EA	9.10	A
	JX1.5/2	2 POLE SHRT LNK FR 3.5MM WIDE SP CL TB	100	EA	9.60	A
	JX1.5/3	3 POLE SHRT LNK FR 3.5MM WIDE SP CL TB	50	EA	16.70	A
	JX1.5/4	4 POLE SHRT LNK FR 3.5MM WIDE SP CL TB	50	EA	30.30	A
	JX1.5/10	10 POLE SHRT LNK FR 3.5MM WIDE SP CL TB	10	EA	77.80	A
	MS3.5WHT	MS3.5 100 MT HOR PRINT MARKER BLANK	1	PKT	83.70	A
	MS3.5WP	MS3.5 100 MT HOR PRINTED MARKERS WHT	1	PKT	95.60	A



Wire Range : 0.2 - 2.5 mm²
 Current (A) : 24 A
 Voltage (V) : 1000 V
 Dimensions Width
 (Thickness) x Length : 5 x 62.2 mm
 Height with
 Din 35 x 7.5 mm Rail : 38.3 mm



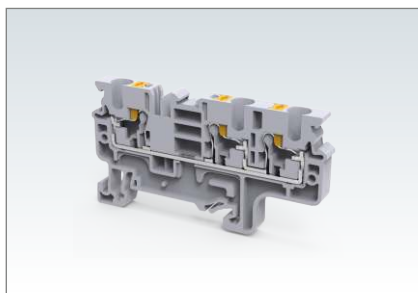
	Part #	Description	Std. Pack	UOM	List Price in	Group
TERMINAL BLOCK	CP2.5/3	2.5mm ² FEED THRU 3 WIRE PUSH IN TB	100	EA	30.10	A
	CPG2.5/3	2.5 mm ² 3 WIRE PUSH IN GND TB	100	EA	130.60	A
ACCESSORIES	EPCX2.5/3	END PLATE FOR CX2.5/3 & CXG2.5/3	50	EA	7.60	A
	JX2.5/2	2 POLE SHRT LNK FR 5MM WIDE SP CL TB	100	EA	10.20	A
	JX2.5/3	3 POLE SHRT LNK FR 5MM WIDE SP CL TB	50	EA	17.70	A
	JX2.5/4	4 POLE SHRT LNK FR 5MM WIDE SP CL TB	50	EA	30.30	A
	JX2.5/10	10 POLE SHRT LNK FR 5MM WIDE SP CL TB	10	EA	78.50	A
	MC5	MARKER CARD 4.95MM PITCH WITH 84 TAGS	1	PKT	817.00	B
	MC5WP	PRNTD MARKER CARD 4.95MM PITCH 84 TAGS	1	PKT	946.00	B



Wire Range : 0.2 - 2.5 mm²
 Current (A) : 24 A
 Voltage (V) : 1000 V
 Dimensions Width
 (Thickness) x Length : 5 x 73 mm
 Height with
 Din 35 x 7.5 mm Rail : 38.3 mm



	Part #	Description	Std. Pack	UOM	List Price in	Group
TERMINAL BLOCK	CP2.5/4	2.5mm ² FEED THRU 4 WIRE PUSH IN TB	100	EA	32.10	A
	CPG2.5/4	2.5 mm ² GND 4 WIRE PUSH IN TB	100	EA	133.20	A
ACCESSORIES	EPCX2.5/4	END PLATE FOR CX2.5/4&CXK2.5/4&CXG2.5/4	50	EA	8.00	A
	JX2.5/2	2 POLE SHRT LNK FR 5MM WIDE SP CL TB	100	EA	10.20	A
	JX2.5/3	3 POLE SHRT LNK FR 5MM WIDE SP CL TB	50	EA	17.70	A
	JX2.5/4	4 POLE SHRT LNK FR 5MM WIDE SP CL TB	50	EA	30.30	A
	JX2.5/10	10 POLE SHRT LNK FR 5MM WIDE SP CL TB	10	EA	78.50	A
	MC5	MARKER CARD 4.95MM PITCH WITH 84 TAGS	1	PKT	817.00	B
	MC5WP	PRNTD MARKER CARD 4.95MM PITCH 84 TAGS	1	PKT	946.00	B

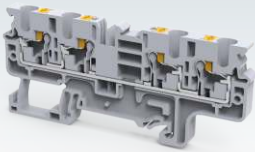


Wire Range : 0.2 - 4.0 mm²
 Current (A) : 32 A
 Voltage (V) : 1000 V
 Dimensions Width
 (Thickness) x Length : 6 x 70.5 mm
 Height with
 Din 35 x 7.5 mm Rail : 38.3 mm




	Part #	Description	Std. Pack	UOM	List Price in	Group
TERMINAL BLOCK	CP4/3	4 mm ² FEED THRU 3 WIRE PUSH IN TB	50	EA	42.90	A
	CPG4/3	4 mm ² GND 3 WIRE PUSH IN TB	50	EA	135.10	A
ACCESSORIES	EPCX4/3	END PLATE FOR CX4/3 & CXG4/3	50	EA	9.20	A
	JX4/2	2 POLE SHRT LNK FR 6MM WIDE SP CL TB	100	EA	17.40	A
	JX4/3	3 POLE SHRT LNK FR 6MM WIDE SP CL TB	50	EA	29.90	A
	JX4/4	4 POLE SHRT LNK FR 6MM WIDE SP CL TB	50	EA	44.90	A
	JX4/10	10 POLE SHRT LNK FR 6MM WIDE SP CL TB	10	EA	104.80	A
	MC6	MARKER CARD 5.95MM PITCH WITH 72 TAGS	1	PKT	698.00	B
	MC6WP	PRNTD MARKER CARD 5.95MM PITCH 72 TAGS	1	PKT	806.00	B

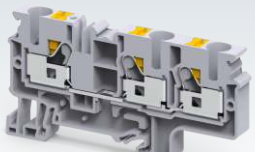
CP SERIES PUSH-IN TERMINAL BLOCKS




Wire Range : 0.2 - 4 mm²
 Current (A) : 32 A
 Voltage (V) : 1000 V
 Dimensions Width
 (Thickness) x Length : 6 x 86.2 mm
 Height with
 Din 35 x 7.5 mm Rail : 38.3 mm



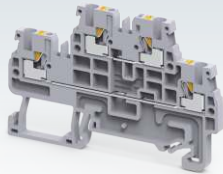
	Part #	Description	Std. Pack	UOM	List Price in	Group
TERMINAL BLOCK	CP4/4	4 mm ² FEED THRU 4 WIRE PUSH IN TB	50	EA	48.90	A
	CPG4/4	4 mm ² GND 4 WIRE PUSH IN TB	50	EA	146.30	A
ACCESSORIES	EPCX4/4	END PLATE FOR CX4/4 & CXG4/4	50	EA	11.00	A
	JX4/2	2 POLE SHRT LNK FR 6MM WIDE SP CL TB	100	EA	17.40	A
	JX4/3	3 POLE SHRT LNK FR 6MM WIDE SP CL TB	50	EA	29.90	A
	JX4/4	4 POLE SHRT LNK FR 6MM WIDE SP CL TB	50	EA	44.90	A
	JX4/10	10 POLE SHRT LNK FR 6MM WIDE SP CL TB	10	EA	104.80	A
	MC6	MARKER CARD 5.95MM PITCH WITH 72 TAGS	1	PKT	698.00	B
	MC6WP	PRNTD MARKER CARD 5.95MM PITCH 72 TAGS	1	PKT	806.00	B




Wire Range : 0.5 - 10 mm²
 Current (A) : 57 A
 Voltage (V) : 1000 V
 Dimensions Width
 (Thickness) x Length : 8 x 82.8 mm
 Height with
 Din 35 x 7.5 mm Rail : 43 mm



	Part #	Description	Std. Pack	UOM	List Price in	Group
TERMINAL BLOCK	CP6/10/3	10 mm ² FEED THRU PUSH IN 3 WIRE TB	50	EA	136.30	A
	CPG6/10/3	10 mm ² 3 WIRE PUSH IN GROUND TERMINAL	50	EA	246.50	A
ACCESSORIES	EPCX6/3	END PLATE FOR CX6/3 & CXG6/3	50	EA	10.50	A
	JX6/2	2 POLE SHRT LNK FR 8MM WIDE SP CL TB	100	EA	26.30	A
	JX6/3	3 POLE SHRT LNK FR 8MM WIDE SP CL TB	50	EA	44.90	A
	JX6/4	4 POLE SHRT LNK FR 8MM WIDE SP CL TB	50	EA	62.90	A
	JX6/10	10 POLE SHRT LNK FR 8MM WIDE SP CL TB	10	EA	149.60	A
	MC8	MARKER CARD 7.95MM PITCH WITH 48 TAGS	1	PKT	532.00	B
	MC8WP	PRNTD MARKER CARD 7.95MM PITCH 48 TAGS	1	PKT	618.00	B



Wire Range : 0.2 - 1.5 mm²
 Current (A) : 16 A
 Voltage (V) : 500 V
 Dimensions Width
 (Thickness) x Length : 3.5 x 67.2 mm
 Height with
 Din 35 x 7.5 mm Rail : 45.3 mm



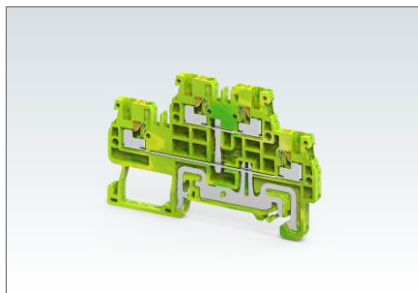
	Part #	Description	Std. Pack	UOM	List Price in	Group
TERMINAL BLOCK	CPDL1.5	1.5mm ² 2 LEVEL PUSH IN SPRING CLAMP TB	100	EA	33.00	A
	CPDL1.5(I.S)	1.5mm ² 2 LEVEL PUSH IN SP CL INT SHRT TB	50	EA	44.80	A
ACCESSORIES	EPCPDL1.5	END PLATE FOR CPDL1.5	50	EA	11.20	A
	JX1.5/2	2 POLE SHRT LNK FR 3.5MM WIDE SP CL TB	100	EA	9.60	A
	JX1.5/3	3 POLE SHRT LNK FR 3.5MM WIDE SP CL TB	50	EA	16.70	A
	JX1.5/4	4 POLE SHRT LNK FR 3.5MM WIDE SP CL TB	50	EA	30.30	A
	JX1.5/10	10 POLE SHRT LNK FR 3.5MM WIDE SP CL TB	10	EA	77.80	A
	MS3.5WHT	MS3.5 100 MT HOR PRINT MARKER BLANK	1	PKT	83.70	A
	MS3.5WP	MS3.5 100 MT HOR PRINTED MARKERS WHT	1	PKT	95.60	A



Wire Range : 0.2 - 1.5 mm²
 Current (A) : 16 A
 Voltage (V) : 500 V
 Dimensions Width
 (Thickness) x Length : 3.5 x 67.2 mm
 Height with
 Din 35 x 7.5 mm Rail : 45.3 mm



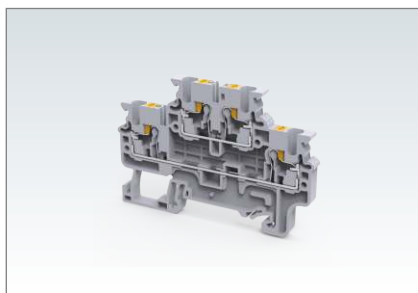
	Part #	Description	Std. Pack	UOM	List Price in	Group
TERMINAL BLOCK	CPDLG1.5	1.5 mm ² FEED THRU + GND PUSH IN SP CL TB	50	EA	102.50	A
ACCESSORIES	EPCPDL1.5	END PLATE FOR CPDL1.5	50	EA	11.20	A
	JX1.5/2	2 POLE SHRT LNK FR 3.5MM WIDE SP CL TB	100	EA	9.60	A
	JX1.5/3	3 POLE SHRT LNK FR 3.5MM WIDE SP CL TB	50	EA	16.70	A
	JX1.5/4	4 POLE SHRT LNK FR 3.5MM WIDE SP CL TB	50	EA	30.30	A
	JX1.5/10	10 POLE SHRT LNK FR 3.5MM WIDE SP CL TB	10	EA	77.80	A
	MS3.5WHT	MS3.5 100 MT HOR PRINT MARKER BLANK	1	PKT	83.70	A
	MS3.5WP	MS3.5 100 MT HOR PRINTED MARKERS WHT	1	PKT	95.60	A



Wire Range : 0.2 - 1.5 mm²
 Dimensions Width
 (Thickness) x Length : 3.5 x 67.2 mm
 Height with
 Din 35 x 7.5 mm Rail : 45.3 mm



	Part #	Description	Std. Pack	UOM	List Price in	Group
TERMINAL BLOCK	CPDLG1.5(I.S)	1.5mm ² GND INT SHRT PUSH IN TB	50	EA	117.20	A
ACCESSORIES	EPCPDL1.5	END PLATE FOR CPDL1.5	50	EA	11.20	A
	JX1.5/2	2 POLE SHRT LNK FR 3.5MM WIDE SP CL TB	100	EA	9.60	A
	JX1.5/3	3 POLE SHRT LNK FR 3.5MM WIDE SP CL TB	50	EA	16.70	A
	JX1.5/4	4 POLE SHRT LNK FR 3.5MM WIDE SP CL TB	50	EA	30.30	A
	JX1.5/10	10 POLE SHRT LNK FR 3.5MM WIDE SP CL TB	10	EA	77.80	A
	MS3.5WHT	MS3.5 100 MT HOR PRINT MARKER BLANK	1	PKT	83.70	A
	MS3.5WP	MS3.5 100 MT HOR PRINTED MARKERS WHT	1	PKT	95.60	A

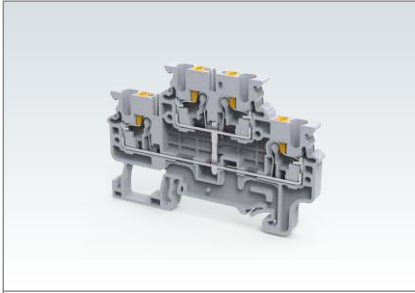


Wire Range : 0.2 - 2.5 mm²
 Current (A) : 24 A
 Voltage (V) : 1000 V
 Dimensions Width
 (Thickness) x Length : 5 x 72.7 mm
 Height with
 Din 35 x 7.5 mm Rail : 49.6 mm



	Part #	Description	Std. Pack	UOM	List Price in	Group
TERMINAL BLOCK	CPDL2.5	2.5mm ² 2 LEVEL PUSH IN SPRING CLAMP TB	50	EA	38.70	A
ACCESSORIES	EPCXDL2.5	END PLATE FOR CXDL2.5 SERIES	50	EA	11.20	A
	JX2.5/2	2 POLE SHRT LNK FR 5MM WIDE SP CL TB	100	EA	10.20	A
	JX2.5/3	3 POLE SHRT LNK FR 5MM WIDE SP CL TB	50	EA	17.70	A
	JX2.5/4	4 POLE SHRT LNK FR 5MM WIDE SP CL TB	50	EA	30.30	A
	JX2.5/10	10 POLE SHRT LNK FR 5MM WIDE SP CL TB	10	EA	78.50	A
	MC5	MARKER CARD 4.95MM PITCH WITH 84 TAGS	1	PKT	817.00	B
	MC5WP	PRNTD MARKER CARD 4.95MM PITCH 84 TAGS	1	PKT	946.00	B

CP SERIES PUSH-IN TERMINAL BLOCKS



Wire Range : 0.2 - 2.5 mm²
 Current (A) : 24 A
 Voltage (V) : 1000 V
 Dimensions Width
 (Thickness) x Length : 5 x 72.7 mm
 Height with
 Din 35 x 7.5 mm Rail : 49.6 mm



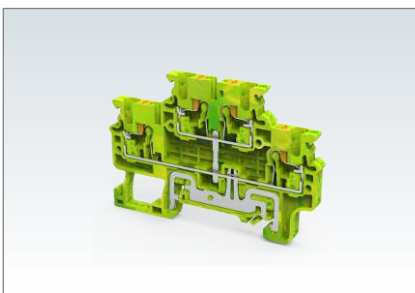
	Part #	Description	Std. Pack	UOM	List Price in	Group
TERMINAL BLOCK	CPDL2.5(I.S)	2.5mm ² 2 LEVEL PUSH IN INT SHRT SP CL TB	50	EA	53.40	A
ACCESSORIES	EPCXDL2.5	END PLATE FOR CXDL2.5 SERIES	50	EA	11.20	A
	JX2.5/2	2 POLE SHRT LNK FR 5MM WIDE SP CL TB	100	EA	10.20	A
	JX2.5/3	3 POLE SHRT LNK FR 5MM WIDE SP CL TB	50	EA	17.70	A
	JX2.5/4	4 POLE SHRT LNK FR 5MM WIDE SP CL TB	50	EA	30.30	A
	JX2.5/10	10 POLE SHRT LNK FR 5MM WIDE SP CL TB	10	EA	78.50	A
	MC5	MARKER CARD 4.95MM PITCH WITH 84 TAGS	1	PKT	817.00	B
	MC5WP	PRNTD MARKER CARD 4.95MM PITCH 84 TAGS	1	PKT	946.00	B



Wire Range : 0.2 - 2.5 mm²
 Current (A) : 24 A
 Voltage (V) : 1000 V
 Dimensions Width
 (Thickness) x Length : 5 x 72.7 mm
 Height with
 Din 35 x 7.5 mm Rail : 49.6 mm



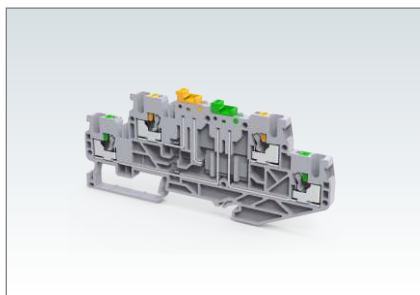
	Part #	Description	Std. Pack	UOM	List Price in	Group
TERMINAL BLOCK	CPDLG2.5	2.5 mm ² FEED THRU + GND PUSH IN SP CL TB	50	EA	123.60	A
ACCESSORIES	EPCXDL2.5	END PLATE FOR CXDL2.5 SERIES	50	EA	11.20	A
	JX2.5/2	2 POLE SHRT LNK FR 5MM WIDE SP CL TB	100	EA	10.20	A
	JX2.5/3	3 POLE SHRT LNK FR 5MM WIDE SP CL TB	50	EA	17.70	A
	JX2.5/4	4 POLE SHRT LNK FR 5MM WIDE SP CL TB	50	EA	30.30	A
	JX2.5/10	10 POLE SHRT LNK FR 5MM WIDE SP CL TB	10	EA	78.50	A
	MC5	MARKER CARD 4.95MM PITCH WITH 84 TAGS	1	PKT	817.00	B
	MC5WP	PRNTD MARKER CARD 4.95MM PITCH 84 TAGS	1	PKT	946.00	B



Wire Range : 0.2 - 2.5 mm²
 Dimensions Width
 (Thickness) x Length : 5 x 72.7 mm
 Height with
 Din 35 x 7.5 mm Rail : 49.6 mm



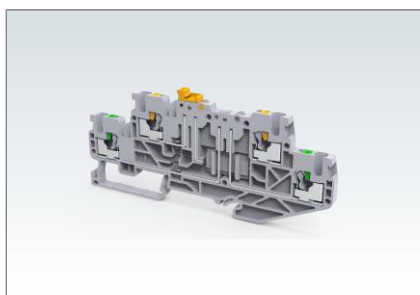
	Part #	Description	Std. Pack	UOM	List Price in	Group
TERMINAL BLOCK	CPDLG2.5(I.S)	2.5mm ² GND INT SHRT PUSH IN TB	50	EA	154.60	A
ACCESSORIES	EPCXDL2.5	END PLATE FOR CXDL2.5 SERIES	50	EA	11.20	A
	JX2.5/2	2 POLE SHRT LNK FR 5MM WIDE SP CL TB	100	EA	10.20	A
	JX2.5/3	3 POLE SHRT LNK FR 5MM WIDE SP CL TB	50	EA	17.70	A
	JX2.5/4	4 POLE SHRT LNK FR 5MM WIDE SP CL TB	50	EA	30.30	A
	JX2.5/10	10 POLE SHRT LNK FR 5MM WIDE SP CL TB	10	EA	78.50	A
	MC5	MARKER CARD 4.95MM PITCH WITH 84 TAGS	1	PKT	817.00	B
	MC5WP	PRNTD MARKER CARD 4.95MM PITCH 84 TAGS	1	PKT	946.00	B



Wire Range : 0.2 - 2.5 mm²
 Current (A) : 16 A
 Voltage (V) : 500 V
 Dimensions Width (Thickness) x Length : 5 x 107.3 mm
 Height with Din 35 x 7.5 mm Rail : 50 mm



	Part #	Description	Std. Pack	UOM	List Price in	Group
TERMINAL BLOCK	CPDLK2.5	2.5mm ² 4W DOUBLE LVL KNIFEDISCON SPCL	50	EA	198.90	A
	CPDLK2.5(I.S)	2.5mm ² 4W DOUBLE LVL KNIFEDISCON IS SPCL	50	EA	228.40	A
ACCESSORIES	EPCPDLK2.5	END PLATE FOR CPDLK2.5	50	EA	25.20	A
	JX2.5/2	2 POLE SHRT LNK FR 5MM WIDE SP CL TB	100	EA	10.20	A
	JX2.5/3	3 POLE SHRT LNK FR 5MM WIDE SP CL TB	50	EA	17.70	A
	JX2.5/4	4 POLE SHRT LNK FR 5MM WIDE SP CL TB	50	EA	30.30	A
	JX2.5/10	10 POLE SHRT LNK FR 5MM WIDE SP CL TB	10	EA	78.50	A
	MS5WHT	5 MM WIDE MARKER (STRIP) BLANK	1	PKT	83.70	A
	MS5WP	5 MM WIDE MARKER (STRIP) PRINTED	1	PKT	95.60	A



Wire Range : 0.2 - 2.5 mm²
 Current (A) : 16 A
 Voltage (V) : 500 V
 Dimensions Width (Thickness) x Length : 5 x 107.3 mm
 Height with Din 35 x 7.5 mm Rail : 50 mm



	Part #	Description	Std. Pack	UOM	List Price in	Group
TERMINAL BLOCK	CPDLKFT2.5	2.5mm ² 4W DOUBLE TOP LVL KNIFEDISCON SPC	50	EA	188.70	A
ACCESSORIES	EPCPDLK2.5	END PLATE FOR CPDLK2.5	50	EA	25.20	A
	JX2.5/2	2 POLE SHRT LNK FR 5MM WIDE SP CL TB	100	EA	10.20	A
	JX2.5/3	3 POLE SHRT LNK FR 5MM WIDE SP CL TB	50	EA	17.70	A
	JX2.5/4	4 POLE SHRT LNK FR 5MM WIDE SP CL TB	50	EA	30.30	A
	JX2.5/10	10 POLE SHRT LNK FR 5MM WIDE SP CL TB	10	EA	78.50	A
	MS5WHT	5 MM WIDE MARKER (STRIP) BLANK	1	PKT	83.70	A
	MS5WP	5 MM WIDE MARKER (STRIP) PRINTED	1	PKT	95.60	A



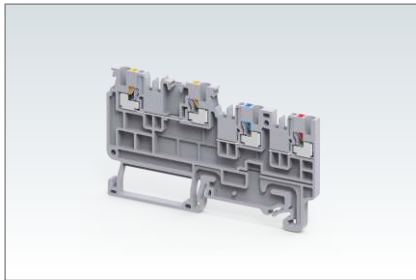
Wire Range : 0.2 - 4 mm²
 Current (A) : 10 A
 Voltage (V) : 1000 V
 Dimensions Width (Thickness) x Length : 6 x 54.8 mm
 Height with Din 35 x 7.5 mm Rail : 68.8 mm



	Part #	Description	Std. Pack	UOM	List Price in	Group
TERMINAL BLOCK	CPF4	4mm ² PUSH IN FUSE TB	50	EA	76.40	A
	CPF4L110-240V	4mm ² PUSH IN FUSE TB 110-240V	50	EA	118.80	A
	CPF4L6-60V	4mm ² PUSH IN FUSE TB 6-60V	50	EA	118.80	A
ACCESSORIES	JX4/2	2 POLE SHRT LNK FR 6MM WIDE SP CL TB	100	EA	17.40	A
	JX4/3	3 POLE SHRT LNK FR 6MM WIDE SP CL TB	50	EA	29.90	A
	JX4/4	4 POLE SHRT LNK FR 6MM WIDE SP CL TB	50	EA	44.90	A
	JX4/10	10 POLE SHRT LNK FR 6MM WIDE SP CL TB	10	EA	104.80	A
	MC6	MARKER CARD 5.95MM PITCH WITH 72 TAGS	1	PKT	698.00	B
	MC6WP	PRNTD MARKER CARD 5.95MM PITCH 72 TAGS	1	PKT	806.00	B

* Standard voltage range for LED indication 6-60V and 110-240V

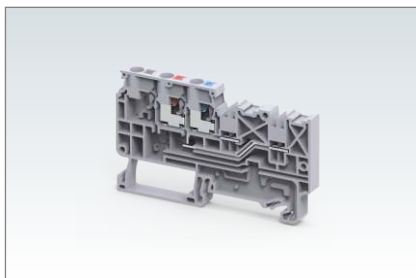
CP SERIES PUSH-IN TERMINAL BLOCKS



Wire Range : 0.2 - 1.5 mm²
 Current (A) : 16 A / 13.5 A
 Voltage (V) : 250 V
 Dimensions Width
 (Thickness) x Length : 3.5 x 79.8 mm
 Height with
 Din 35 x 7.5 mm Rail : 48.1 mm



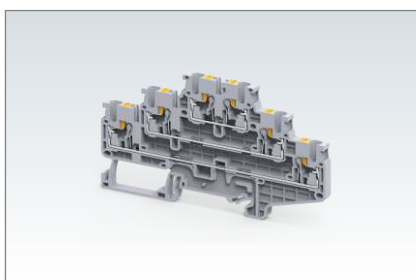
	Part #	Description	Std. Pack	UOM	List Price in	Group
TERMINAL BLOCK	CPST1.5/3	1.5 mm ² 3 WIRE PUSH IN SENSOR TB	50	EA	107.60	A
ACCESSORIES	EPCPPT2.5/3	END PLATE FOR CPPT2.5/3	50	EA	34.70	A
	JX1.5/2	2 POLE SHRT LNK FR 3.5MM WIDE SP CL TB	100	EA	9.60	A
	JX1.5/3	3 POLE SHRT LNK FR 3.5MM WIDE SP CL TB	50	EA	16.70	A
	JX1.5/4	4 POLE SHRT LNK FR 3.5MM WIDE SP CL TB	50	EA	30.30	A
	JX1.5/10	10 POLE SHRT LNK FR 3.5MM WIDE SP CL TB	10	EA	77.80	A
	MS3.5WHT	MS3.5 100 MT HOR PRINT MARKER BLANK	1	PKT	83.70	A
	MS3.5WP	MS3.5 100 MT HOR PRINTED MARKERS WHT	1	PKT	95.60	A



Wire Range : 0.2 - 2.5 mm²
 Current (A) : 20 A
 Voltage (V) : 250 V
 Dimensions Width
 (Thickness) x Length : 7 x 79.8 mm
 Height with
 Din 35 x 7.5 mm Rail : 48.1 mm




	Part #	Description	Std. Pack	UOM	List Price in	Group
TERMINAL BLOCK	CPPT2.5/3	2.5 mm ² 3 WIRE PUSH IN POWER TB	50	EA	139.20	A
ACCESSORIES	EPCPPT2.5/3	END PLATE FOR CPPT2.5/3	50	EA	34.70	A
	JX1.5/2	2 POLE SHRT LNK FR 3.5MM WIDE SP CL TB	100	EA	9.60	A
	JX1.5/3	3 POLE SHRT LNK FR 3.5MM WIDE SP CL TB	50	EA	16.70	A
	JX1.5/4	4 POLE SHRT LNK FR 3.5MM WIDE SP CL TB	50	EA	30.30	A
	JX1.5/10	10 POLE SHRT LNK FR 3.5MM WIDE SP CL TB	10	EA	77.80	A
	MS3.5WHT	MS3.5 100 MT HOR PRINT MARKER BLANK	1	PKT	83.70	A
	MS3.5WP	MS3.5 100 MT HOR PRINTED MARKERS WHT	1	PKT	95.60	A



Wire Range : 0.2 - 2.5 mm²
 Current (A) : 24 A
 Voltage (V) : 500 V
 Dimensions Width
 (Thickness) x Length : 5 x 102 mm
 Height with
 Din 35 x 7.5 mm Rail : 57.3 mm



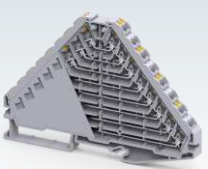
	Part #	Description	Std. Pack	UOM	List Price in	Group
TERMINAL BLOCK	CPTL2.5	2.5mm ² 3 LEVEL PUSH IN SPRING CLMP TB	50	EA	102.30	A
	CPTL2.5(I.S)	2.5mm ² 3 LVL PUSH IN SPR CL INT SHRT TB	50	EA	127.40	A
	CPTLG2.5	2.5mm ² FEED THRU + GND PUSH IN SP CL TB	50	EA	190.60	A
	CPTLG2.5(I.S)	2.5mm ² GND INT SHRT PUSH IN TB	50	EA	216.00	A
ACCESSORIES	EPCPTL2.5	END PLATE FOR EPCPTL2.5	50	EA	27.80	A
	JX2.5/2	2 POLE SHRT LNK FR 5MM WIDE SP CL TB	100	EA	10.20	A
	JX2.5/3	3 POLE SHRT LNK FR 5MM WIDE SP CL TB	50	EA	17.70	A
	JX2.5/4	4 POLE SHRT LNK FR 5MM WIDE SP CL TB	50	EA	30.30	A
	JX2.5/10	10 POLE SHRT LNK FR 5MM WIDE SP CL TB	10	EA	78.50	A
	MC5	MARKER CARD 4.95MM PITCH WITH 84 TAGS	1	PKT	817.00	B
	MC5WP	PRNTD MARKER CARD 4.95MM PITCH 84 TAGS	1	PKT	946.00	B



Wire Range : 0.2 - 1.5 mm²
 Current (A) : 17.5 A
 Voltage (V) : 320 V
 Dimensions Width (Thickness) x Length : 9 x 120 mm
 Height with Din 35 x 7.5 mm Rail : 84 mm

IECEE CE C-UL US

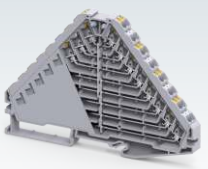
	Part #	Description	Std. Pack	UOM	List Price in	Group
TERMINAL BLOCK	CP4L16	1.5 mm ² FD THRU 4LVL PUSH IN SP CL TB	10	EA	336.00	A
	CP4L16(I.S)	1.5mm ² 4LVL PUSH IN SP CL INT SHRT TB	10	EA	357.00	A
ACCESSORIES	MC9	MARKER CARD 9 MM PITCH WITH 42 TAGS	1	PKT	510.00	B
	MC9WP	PRINTED MARKER CARD 9 MM PITCH WITH 42 TAGS	1	PKT	592.00	B



Wire Range : 0.2 - 1.5 mm²
 Current (A) : 8 A
 Voltage (V) : 320 V
 Dimensions Width (Thickness) x Length : 9 x 120 mm
 Height with Din 35 x 7.5 mm Rail : 84 mm

IECEE CE C-UL US

	Part #	Description	Std. Pack	UOM	List Price in	Group
TERMINAL BLOCK	CP8L32	1.5 mm ² FEED THRU 8 LVL PUSH IN SP CL TB	10	EA	446.10	A
	CP8L32BK	1.5 mm ² FD TH 8 LVL PUSH IN SP CL TB BLK	10	EA	490.70	A
	CP8L32BU	1.5 mm ² FD TH 8 LVL PUSH IN SP CL TB BLU	10	EA	490.70	A
ACCESSORIES	MC9	MARKER CARD 9 MM PITCH WITH 42 TAGS	1	PKT	510.00	B
	MC9WP	PRNTD MARKER CARD 9 MM PITCH 42 TAGS	1	PKT	592.00	B




Wire Range : 0.2 - 1.5 mm²
 Current (A) : 8 A
 Voltage (V) : 320 V
 Dimensions Width (Thickness) x Length : 9 x 120 mm
 Height with Din 35 x 7.5 mm Rail : 84 mm




IECEE CE C-UL US

	Part #	Description	Std. Pack	UOM	List Price in	Group
TERMINAL BLOCK	CP8L32(I.S)	1.5mm ² 8 LVL PUSH IN SP CLMP INT SHRT TB	10	EA	602.00	A
	CP8L32(I.S)BK	1.5mm ² 8LVL PUSH IN SPCL INT SHRT TB BLK	10	EA	662.20	A
	CP8L32(I.S)BU	1.5mm ² 8LVL PUSH IN SPCL INT SHRT TB BLU	10	EA	662.20	A
ACCESSORIES	MC9	MARKER CARD 9 MM PITCH WITH 42 TAGS	1	PKT	510.00	B
	MC9WP	PRNTD MARKER CARD 9 MM PITCH 42 TAGS	1	PKT	592.00	B


CP SERIES PUSH-IN TERMINAL BLOCKS






Wire Range : 0.2 - 2.5 mm²
 Current (A) : 24 A
 Voltage (V) : 500 V
 Dimensions Width (Thickness) x Length : 5 x 17.36 mm
 Height : 42 mm


	Part #	Description	Std. Pack	UOM	List Price in	Group
TERMINAL BLOCK	CP2.5P	2.5 mm ² PUSH IN PLUG ASSLY	50	EA	43.40	A
	CP2.5PL	2.5 mm ² PUSH IN PLUG LAST ELEMENT	50	EA	43.40	A
ACCESSORIES						






Wire Range : 0.2 - 2.5 mm²
 Current (A) : 24 A
 Voltage (V) : 500 V
 Dimensions Width (Thickness) x Length : 5 x 20.9 mm
 Height : 42 mm


	Part #	Description	Std. Pack	UOM	List Price in	Group
TERMINAL BLOCK	CP2.5PJ	2.5 mm ² PLUG ASSLY WITH SHORTING	50	EA	50.10	A
	CP2.5PJL	2.5 mm ² PLUG ASSLY WTH SHORTING LAST ELE	50	EA	50.10	A
ACCESSORIES	JX2.5/2	2 POLE SHRT LNK FR 5MM WIDE SP CL TB	100	EA	10.20	A
	JX2.5/3	3 POLE SHRT LNK FR 5MM WIDE SP CL TB	50	EA	17.70	A
	JX2.5/4	4 POLE SHRT LNK FR 5MM WIDE SP CL TB	50	EA	30.30	A
	JX2.5/10	10 POLE SHRT LNK FR 5MM WIDE SP CL TB	10	EA	78.50	A



Wire Range : 0.2 - 2.5 mm²
 Current (A) : 24 A
 Voltage (V) : 500 V
 Dimensions Width (Thickness) x Length : 5 x 32.95 mm
 Height with Din 32 x 15 mm Rail : 42 mm


	Part #	Description	Std. Pack	UOM	List Price in	Group
TERMINAL BLOCK	CP2.5PD	2.5 mm ² DOUBLE PUSH IN PLUG ASSLY	50	EA	59.00	A
	CP2.5PDL	2.5 mm ² DOUBLE PUSH IN PLUG LAST ELEMENT	50	EA	59.00	A
ACCESSORIES						



Wire Range : 0.2 - 4 mm²
 Current (A) : 32 A
 Voltage (V) : 800 V
 Dimensions Width (Thickness) x Length : 6.7 x 40 mm
 Height with Din 32 x 15 mm Rail : 52 mm

IECEE CE CCB US


	Part #	Description	Std. Pack	UOM	List Price in	Group
TERMINAL BLOCK	CTS2.5	4 mm ² FEED THRU SCREW CLAMP MELAMINE TB	200	EA	16.20	C
	CTS2.5BU	4 mm ² FD THRU SW CL MELAMINE TB BLUE	200	EA	17.90	C
	CTS2.5BK	4 mm ² FD THRU SW CL MELAMINE TB BLACK	200	EA	17.90	C
	CTS2.5R	4 mm ² FD THRU SW CL MELAMINE TB RED	200	EA	17.90	C
	CTS2.5Y	4 mm ² FEED THRU SW CL MELAMINE TB YELLOW	200	EA	17.90	C
ACCESSORIES	CTSEP1	END PLATE FOR CTS2.5/6/10	50	EA	7.20	C
	CTSP1L	PARTITION PLATE FOR CTS2.5/6/10 LONG	50	EA	15.30	C
	CTSP1B	PARTITION PLATE FOR CTS2.5/6/10 BROAD	50	EA	16.50	C
	CA522/2	2P PRE ASSEM SHRT LINK FR 6.7mm WIDE TB	100	EA	16.60	C
	CA522/3	3P PRE ASSEM SHRT LINK FOR 6.7mm WIDE TB	100	EA	24.70	C
	CA522/4	4P PRE ASSEM SHRT LINK FOR 6.7mm WIDE TB	100	EA	33.00	C
	CA522/10	10P PRE ASSEM SHRT LINK FR 6.7mm WIDE TB	10	EA	82.50	C
	MC2	MARKER CARD 6.25MM PITCH WITH 72 TAGS	1	PKT	698.00	B
	MC2WP	PRNTD MARKER CARD 6.25MM PITCH 72 TAGS	1	PKT	806.00	B



Wire Range : 1.5 - 6 mm²
 Current (A) : 41 A
 Voltage (V) : 1000 V
 Dimensions Width (Thickness) x Length : 8 x 40 mm
 Height with Din 32 x 15 mm Rail : 52 mm

IECEE CE CCB US

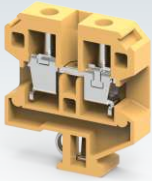
	Part #	Description	Std. Pack	UOM	List Price in	Group
TERMINAL BLOCK	CTS6	6 mm ² FEED THRU SCREW CLAMP MELAMINE TB	200	EA	18.90	C
	CTS6BU	6 mm ² FEED THRU SW CL MELAMINE TB BLUE	200	EA	20.90	C
	CTS6BK	6 mm ² FEED THRU SW CL MELAMINE TB BLACK	200	EA	20.90	C
	CTS6R	6 mm ² FEED THRU SW CL MELAMINE TB RED	200	EA	20.90	C
	CTS6Y	6 mm ² FEED THRU SW CL MELAMINE TB YELLOW	200	EA	20.90	C
ACCESSORIES	CTSEP1	END PLATE FOR CTS2.5/6/10	50	EA	7.20	C
	CTSP1L	PARTITION PLATE FOR CTS2.5/6/10 LONG	50	EA	15.30	C
	CTSP1B	PARTITION PLATE FOR CTS2.5/6/10 BROAD	50	EA	16.50	C
	CA723/2	2P PRE ASSEM SHRT LINK FOR 8mm WIDE TB	100	EA	17.70	B
	CA723/3	3P PRE ASSEM SHRT LINK FOR 8mm WIDE TB	50	EA	26.70	B
	CA723/4	4P PRE ASSEM SHRT LINK FOR 8mm WIDE TB	50	EA	35.50	B
	CA723/10	10P PRE ASSEM SHRT LINK FOR 8mm WIDE TB	10	EA	88.40	B
	MC2	MARKER CARD 6.25MM PITCH WITH 72 TAGS	1	PKT	698.00	B
	MC2WP	PRNTD MARKER CARD 6.25MM PITCH 72 TAGS	1	PKT	806.00	B



Wire Range : 1.5 - 10 mm²
 Current (A) : 57 A
 Voltage (V) : 1000 V
 Dimensions Width (Thickness) x Length : 10 x 40 mm
 Height with Din 32 x 15 mm Rail : 52 mm

IECEE CE CCB US


	Part #	Description	Std. Pack	UOM	List Price in	Group
TERMINAL BLOCK	CTS10	10 mm ² FEED THRU SCREW CLAMP MELAMINE TB	200	EA	25.40	C
	CTS10BU	10 mm ² FD THRU SW CL MELAMINE TB BLUE	200	EA	28.00	C
	CTS10BK	10 mm ² FD THRU SW CL MELAMINE TB BLACK	200	EA	28.00	C
	CTS10R	10 mm ² FD THRU SW CL MELAMINE TB RED	200	EA	28.00	C
	CTS10Y	10 mm ² FD THRU SW CL MELAMINE TB YELLOW	200	EA	28.00	C
ACCESSORIES	CTSEP1	END PLATE FOR CTS2.5/6/10	50	EA	7.20	C
	CTSP1L	PARTITION PLATE FOR CTS2.5/6/10 LONG	50	EA	15.30	C
	CTSP1B	PARTITION PLATE FOR CTS2.5/6/10 BROAD	50	EA	16.50	C
	CA724/2	2P PRE ASSEM SHRT LINK FOR 10mm WIDE TB	100	EA	19.20	B
	CA724/3	3P PRE ASSEM SHRT LINK FOR 10mm WIDE TB	50	EA	28.80	B
	CA724/4	4P PRE ASSEM SHRT LINK FOR 10mm WIDE TB	50	EA	38.50	B
	CA724/10	10P PRE ASSEM SHRT LINK FOR 10mm WIDE TB	10	EA	95.80	B
	MC2	MARKER CARD 6.25MM PITCH WITH 72 TAGS	1	PKT	698.00	B
	MC2WP	PRNTD MARKER CARD 6.25MM PITCH 72 TAGS	1	PKT	806.00	B



Wire Range : 6 - 16 mm²
 Current (A) : 76 A
 Voltage (V) : 1000 V
 Dimensions Width (Thickness) x Length : 12 x 50 mm
 Height with Din 32 x 15 mm Rail : 57.5 mm

IECEE CE C-ULUS

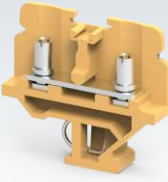
	Part #	Description	Std. Pack	UOM	List Price in	Group
TERMINAL BLOCK	CTS16	16 mm ² FEED THRU SCREW CLAMP MELAMINE TB	100	EA	40.70	C
	CTS16BU	16 mm ² FD THRU SW CL MELAMINE TB BLUE	100	EA	44.90	C
	CTS16BK	16 mm ² FD THRU SW CL MELAMINE TB BLACK	100	EA	44.90	C
	CTS16R	16 mm ² FD THRU SW CL MELAMINE TB RED	100	EA	44.90	C
	CTS16Y	16 mm ² FD THRU SW CL MELAMINE TB YELLOW	100	EA	44.90	C
ACCESSORIES	CTSEP2	END PLATE FOR CTS16	50	EA	14.30	C
	CTSPP2	PARTITION PLATE FOR CTS16	50	EA	25.10	C
	CA751/2	2P PRE ASSEM SHRT LINK FOR 12mm WIDE TB	50	EA	21.10	B
	CA751/3	3P PRE ASSEM SHRT LINK FOR 12mm WIDE TB	50	EA	31.60	B
	CA751/4	4P PRE ASSEM SHRT LINK FOR 12mm WIDE TB	50	EA	42.00	B
	CA751/10	10P PRE ASSEM SHRT LINK FOR 12mm WIDE TB	10	EA	104.80	B
	MC2	MARKER CARD 6.25MM PITCH WITH 72 TAGS	1	PKT	698.00	B
	MC2WP	PRNTD MARKER CARD 6.25MM PITCH 72 TAGS	1	PKT	806.00	B



Wire Range : 10 - 35 mm²
 Current (A) : 125 A
 Voltage (V) : 1100 V
 Dimensions Width (Thickness) x Length : 18 x 58 mm
 Height with Din 32 x 15 mm Rail : 66.8 mm

IECEE CE C-ULUS

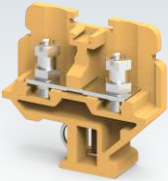
	Part #	Description	Std. Pack	UOM	List Price in	Group
TERMINAL BLOCK	CTS35	35 mm ² FEED THRU SCREW CLAMP MELAMINE TB	50	EA	105.30	C
	CTS35BU	35 mm ² FEED THRU SW CL MELAMINE TB BLU	50	EA	115.90	C
	CTS35BK	35 mm ² FEED THRU SW CL MELAMINE TB BLK	50	EA	115.90	C
	CTS35R	35 mm ² FEED THRU SW CL MELAMINE TB RED	50	EA	115.90	C
	CTS35Y	35 mm ² FEED THRU SW CL MELAMINE TB YLW	50	EA	115.90	C
ACCESSORIES	CTSEP3	END PLATE FOR CTS35	25	EA	15.20	C
	CTSPP3	PARTITION PLATE FOR CTS35	25	EA	29.00	C
	MC2	MARKER CARD 6.25MM PITCH WITH 72 TAGS	1	PKT	698.00	B
	MC2WP	PRNTD MARKER CARD 6.25MM PITCH 72 TAGS	1	PKT	806.00	B



Wire Range : 1.5 - 6 mm²
 Current (A) : 41 A
 Voltage (V) : 1100 V
 Dimensions Width (Thickness) x Length : 10 x 50 mm
 Height with Din 32 x 15 mm Rail : 47.5 mm

IECEE CE C-ULUS

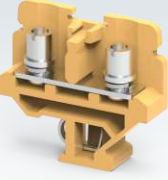
	Part #	Description	Std. Pack	UOM	List Price in	Group
TERMINAL BLOCK	CSTSB3	6mm ² M3 STUD SCREW DRVR OPTD MELAMINE TB	100	EA	38.20	C
	CSTSB3BU	6mm ² M3 STUD SCREW DRVR OPTD MEL TB BLU	100	EA	42.00	C
	CSTSB3BK	6mm ² M3 STUD SCREW DRVR OPTD MEL TB BLK	100	EA	42.00	C
	CSTSB3R	6mm ² M3 STUD SCREW DRVR OPTD MEL TB RED	100	EA	42.00	C
	CSTSB3Y	6mm ² M3 STUD SCREW DRVR OPTD MEL TB YLW	100	EA	42.00	C
ACCESSORIES	CSTSEP2	END PLATE FOR CSTSN4/N5/B4/B5	50	EA	10.30	C
	CSTSP	PARTITION PLATE FOR CSTSN4/N5/N6	50	EA	20.50	B
	MC2B4	MARKER CARD 5.95MM PITCH WITH 72 TAGS	1	PKT	698.00	B
	MC2B4WP	PRNTD MARKER CARD 5.95MM PITCH 72 TAGS	1	PKT	806.00	B



Wire Range : 1.5 - 10 mm²
 Current (A) : 57 A
 Voltage (V) : 1100 V
 Dimensions Width
 (Thickness) x Length : 13 x 45 mm
 Height with
 Din 32 x 15 mm Rail : 45 mm

CE

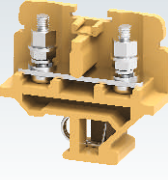
	Part #	Description	Std. Pack	UOM	List Price in	Group
TERMINAL BLOCK	CSTSB4/N4	10mm ² M4 STUD SCREW/NUT DRVR OPTD MEL TB	100	EA	47.90	C
	CSTSB4/N4BU	10mm ² M4 STUD SCR/NUT DRVR OPTD MEL BLU	100	EA	52.70	C
	CSTSB4/N4BK	10mm ² M4 STUD SCR/NUT DRVR OPTD MEL BLK	100	EA	52.70	C
	CSTSB4/N4R	10mm ² M4 STUD SCR/NUT DRVR OPTD MEL RED	100	EA	52.70	C
	CSTSB4/N4Y	10mm ² M4 STUD SCR/NUT DRVR OPTD MEL YLW	100	EA	52.70	C
ACCESSORIES	EPCSTSB4/N4	END PLATE FOR CSTSB4/N4	50	EA	9.90	C
	MC2B4	MARKER CARD 5.95MM PITCH WITH 72 TAGS	1	PKT	698.00	B
	MC2B4WP	PRNTD MARKER CARD 5.95MM PITCH 72 TAGS	1	PKT	806.00	B



Wire Range : 1.5 - 16 mm²
 Current (A) : 76 A
 Voltage (V) : 1000 V
 Dimensions Width
 (Thickness) x Length : 13 x 50 mm
 Height with
 Din 32 x 15 mm Rail : 47.5 mm

CE

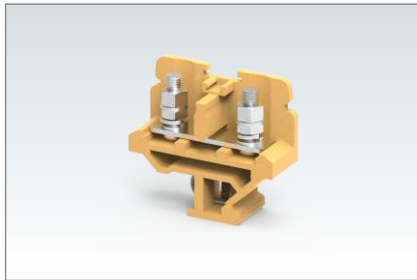
	Part #	Description	Std. Pack	UOM	List Price in	Group
TERMINAL BLOCK	CSTSB5	16mm ² M5 STUD SCREW DRVR OPTD MELAMIN TB	100	EA	57.20	C
	CSTSB5BU	16mm ² M5 STUD SCREW DRVR OPTD MEL TB BLU	100	EA	62.90	C
	CSTSB5R	16mm ² M5 STUD SCREW DRVR OPTD MEL TB RED	100	EA	62.90	C
	CSTSB5Y	16mm ² M5 STUD SCREW DRVR OPTD MEL TB YLW	100	EA	62.90	C
ACCESSORIES	CSTSEP2	END PLATE FOR CSTSN4/N5/B4/B5	50	EA	10.30	C
	CSTSP	PARTITION PLATE FOR CSTSN4/N5/N6	50	EA	20.50	B
	MC2B4	MARKER CARD 5.95MM PITCH WITH 72 TAGS	1	PKT	698.00	B
	MC2B4WP	PRNTD MARKER CARD 5.95MM PITCH 72 TAGS	1	PKT	806.00	B



Wire Range : 1.5 - 10 mm²
 Current (A) : 57 A
 Voltage (V) : 1000 V
 Dimensions Width
 (Thickness) x Length : 15 x 50 mm
 Height with
 Din 32 x 15 mm Rail : 47.5 mm

CE

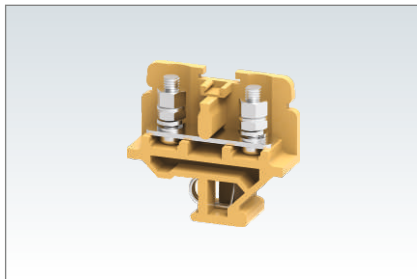
	Part #	Description	Std. Pack	UOM	List Price in	Group
TERMINAL BLOCK	CSTSN415P	10mm ² M4(15P) STUD NUT DRVR OPTD MEL TB	100	EA	57.80	C
	CSTSN415PBU	10mm ² M4(15P) STUD NUT DRVR OPTD MEL BLU	100	EA	63.60	C
	CSTSN415PR	10mm ² M4(15P) STUD NUT DRVR OPTD MEL RED	100	EA	63.60	C
ACCESSORIES	CSTSEP2	END PLATE FOR CSTSN4/N5/B4/B5	50	EA	10.30	C
	CSTSP	PARTITION PLATE FOR CSTSN4/N5/N6	50	EA	20.50	B
	MC2B4	MARKER CARD 5.95MM PITCH WITH 72 TAGS	1	PKT	698.00	B
	MC2B4WP	PRNTD MARKER CARD 5.95MM PITCH 72 TAGS	1	PKT	806.00	B



Wire Range : 1.5 - 16.0 mm²
 Current (A) : 76 A
 Voltage (V) : 1100 V
 Dimensions Width
 (Thickness) x Length : 17 x 50 mm
 Height with
 Din 32 x 15 mm Rail : 47.5 mm



	Part #	Description	Std. Pack	UOM	List Price in	Group
TERMINAL BLOCK	CSTSN5	16mm ² M5 STUD NUT DRVR OPTD MELAMINE TB	100	EA	60.50	C
	CSTSN5BU	16mm ² M5 STUD NUT DRVR OPTD MEL TB BLU	100	EA	66.40	C
	CSTSN5BK	16mm ² M5 STUD NUT DRVR OPTD MEL TB BLK	100	EA	66.40	C
	CSTSN5R	16mm ² M5 STUD NUT DRVR OPTD MEL TB RED	100	EA	66.40	C
	CSTSN5Y	16mm ² M5 STUD NUT DRVR OPTD MEL TB YLW	100	EA	66.40	C
ACCESSORIES	CSTSEP2	END PLATE FOR CSTSN4/N5/B4/B5	50	EA	10.30	C
	CSTSP	PARTITION PLATE FOR CSTSN4/N5/N6	50	EA	20.50	B
	MC2B4	MARKER CARD 5.95MM PITCH WITH 72 TAGS	1	PKT	698.00	B
	MC2B4WP	PRNTD MARKER CARD 5.95MM PITCH 72 TAGS	1	PKT	806.00	B



Wire Range : 1.5 - 16 mm²
 Current (A) : 76 A
 Voltage (V) : 1000 V
 Dimensions Width
 (Thickness) x Length : 15 x 50 mm
 Height with
 Din 32 x 15 mm Rail : 47.5 mm



	Part #	Description	Std. Pack	UOM	List Price in	Group
TERMINAL BLOCK	CSTSN515P	16mm ² M5(15P) STUD NUT DRVR OPTD MEL TB	100	EA	60.80	C
ACCESSORIES	CSTSEP2	END PLATE FOR CSTSN4/N5/B4/B5	50	EA	10.30	C
	CSTSP	PARTITION PLATE FOR CSTSN4/N5/N6	50	EA	20.50	B
	MC2B4	MARKER CARD 5.95MM PITCH WITH 72 TAGS	1	PKT	698.00	B
	MC2B4WP	PRNTD MARKER CARD 5.95MM PITCH 72 TAGS	1	PKT	806.00	B



Wire Range : 1.5 - 35 mm²
 Current (A) : 125 A
 Voltage (V) : 1000 V
 Dimensions Width
 (Thickness) x Length : 17 x 50 mm
 Height with
 Din 32 x 15 mm Rail : 47.5 mm



	Part #	Description	Std. Pack	UOM	List Price in	Group
TERMINAL BLOCK	CSTSN6	35mm ² M6 STUD NUT DRVR OPTD MELAMINE TB	100	EA	84.50	C
	CSTSN6BU	35mm ² M6 STUD NUT DRVR OPTD MEL TB BLU	100	EA	93.10	C
	CSTSN6BK	35mm ² M6 STUD NUT DRVR OPTD MEL TB BLK	100	EA	93.10	C
	CSTSN6R	35mm ² M6 STUD NUT DRVR OPTD MEL TB RED	100	EA	93.10	C
	CSTSN6Y	35mm ² M6 STUD NUT DRVR OPTD MEL TB YLW	100	EA	93.10	C
ACCESSORIES	CSTSEP2	END PLATE FOR CSTSN4/N5/B4/B5	50	EA	10.30	C
	CSTSP	PARTITION PLATE FOR CSTSN4/N5/N6	50	EA	20.50	B
	MC2B4	MARKER CARD 5.95MM PITCH WITH 72 TAGS	1	PKT	698.00	B
	MC2B4WP	PRNTD MARKER CARD 5.95MM PITCH 72 TAGS	1	PKT	806.00	B



Wire Range : 1.5 - 16 mm²
 Current (A) : 76 A
 Voltage (V) : 1100 V
 Dimensions Width
 (Thickness) x Length : 26 x 43 mm
 Height with
 Din 32 x 15 mm Rail : 53.5 mm



	Part #	Description	Std. Pack	UOM	List Price in	Group
TERMINAL BLOCK	CSTSRN5	16mm ² M5 STUD NUT DRVR OPTD MELAMINE TB	50	EA	83.20	C
	CSTSRN5BU	16mm ² M5 STUD NUT DRVR OPTD MEL BLU	50	EA	91.50	C
	CSTSRN5BK	16mm ² M5 STUD NUT DRVR OPTD MEL BLK	50	EA	91.50	C
	CSTSRN5R	16mm ² M5 STUD NUT DRVR OPTD MEL RED	50	EA	91.50	C
	CSTSRN5Y	16mm ² M5 STUD NUT DRVR OPTD MEL YLW	50	EA	91.50	C
ACCESSORIES	CSTSREP	END PLATE FR CSTSRN5/RN6	50	EA	14.30	B
	MC6	MARKER CARD 5.95MM PITCH WITH 72 TAGS	1	PKT	698.00	B
	MC6WP	PRNTD MARKER CARD 5.95MM PITCH 72 TAGS	1	PKT	806.00	B

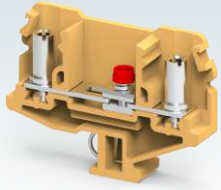


Wire Range : 1.5 - 35 mm²
 Current (A) : 125 A
 Voltage (V) : 1100 V
 Dimensions Width
 (Thickness) x Length : 26 x 43 mm
 Height with
 Din 32 x 15 mm Rail : 53.5 mm



	Part #	Description	Std. Pack	UOM	List Price in	Group
TERMINAL BLOCK	CSTSRN6	35mm ² M6 STUD NUT DRVR OPTD MELAMINE TB	50	EA	111.10	C
	CSTSRN6BU	35mm ² M6 STUD NUT DRVR OPTD MEL TB BLU	50	EA	122.30	C
	CSTSRN6BK	35mm ² M6 STUD NUT DRVR OPTD MEL TB BLK	50	EA	122.30	C
	CSTSRN6R	35mm ² M6 STUD NUT DRVR OPTD MEL TB RED	50	EA	122.30	C
	CSTSRN6Y	35mm ² M6 STUD NUT DRVR OPTD MEL TB YLW	50	EA	122.30	C
ACCESSORIES	CSTSREP	END PLATE FR CSTSRN5/RN6	50	EA	14.30	B
	MC6	MARKER CARD 5.95MM PITCH WITH 72 TAGS	1	PKT	698.00	B
	MC6WP	PRNTD MARKER CARD 5.95MM PITCH 72 TAGS	1	PKT	806.00	B

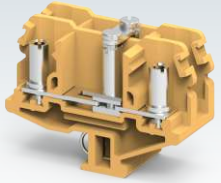
MELAMINE TERMINAL BLOCKS



Wire Range : 1.5 - 6.0 mm²
 Current (A) : 41 A
 Voltage (V) : 1100 V
 Dimensions Width
 (Thickness) x Length : 13 x 68 mm
 Height with
 Din 32 x 15 mm Rail : 51.7 mm



	Part #	Description	Std. Pack	UOM	List Price in	Group
TERMINAL BLOCK	CMDT4	6 mm ² M4 STUD TYP DISCONNECT MELAMINE TB	50	EA	80.40	C
	CMDT4BU	6 mm ² M4 STUD TYP DISCON MELAMINE TB BLU	50	EA	88.00	C
	CMDT4BK	6 mm ² M4 STUD TYP DISCON MELAMINE TB BLK	50	EA	88.50	C
	CMDT4R	6 mm ² M4 STUD TYP DISCON MELAMINE TB RED	50	EA	88.50	C
	CMDT4Y	6 mm ² M4 STUD TYP DISCON MELAMINE TB YLW	50	EA	88.50	C
	CMDT4S	6 mm ² M4 STUD TYP DISCONNECT MELAMINE TB	50	EA	83.50	C
ACCESSORIES	EPCMDT4	END PLATE FOR CMDT4	50	EA	15.80	C
	MC2B4	MARKER CARD 5.95MM PITCH WITH 72 TAGS	1	PKT	698.00	B
	MC2B4WP	PRNTD MARKER CARD 5.95MM PITCH 72 TAGS	1	PKT	806.00	B



Wire Range : 1.5 - 6 mm²
 Current (A) : 32 A
 Voltage (V) : 500 V
 Dimensions Width
 (Thickness) x Length : 26 x 68 mm
 Height with
 Din 32 x 15 mm Rail : 51.7 mm



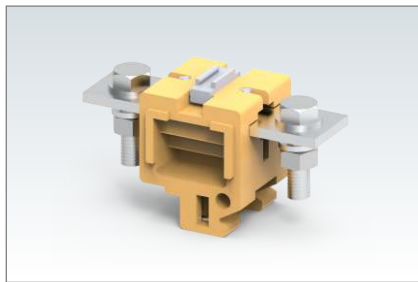
	Part #	Description	Std. Pack	UOM	List Price in	Group
TERMINAL BLOCK	CMDT4SH	6 mm ² M4 STUD TYPE DISCON SHORTED MEL TB	25	EA	182.00	C
ACCESSORIES	EPCMDT4	END PLATE FOR CMDT4	50	EA	15.80	C
	MC2B4	MARKER CARD 5.95MM PITCH WITH 72 TAGS	1	PKT	698.00	B
	MC2B4WP	PRNTD MARKER CARD 5.95MM PITCH 72 TAGS	1	PKT	806.00	B



Wire Range : 16 - 50 mm²
 Current (A) : 150 A
 Voltage (V) : 1000 V
 Dimensions Width
 (Thickness) x Length : 28 x 75 mm
 Height with
 Din 32 x 15 mm Rail : 55.2 mm



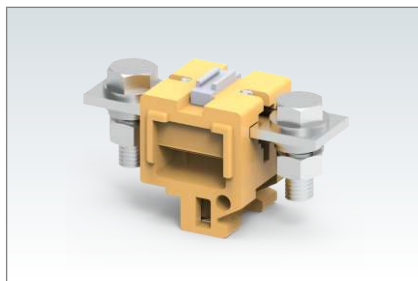
	Part #	Description	Std. Pack	UOM	List Price in	Group
TERMINAL BLOCK	CTS35L	50 mm ² FEED THRU BOLT/NUT MELAMINE TB	10	EA	181.50	C
	CTS35LS	50 mm ² FEED THRU SLTD BOLT MELAMINE TB	10	EA	184.30	C
	CTS35LBU	50 mm ² FD THRU BOLT/NUT MELAMINE TB BLUE	10	EA	199.80	C
	CTS35LBK	50 mm ² FD THRU BOLT/NUT MELAMINE TB BLK	10	EA	199.80	C
	CTS35LR	50 mm ² FD THRU BOLT/NUT MELAMINE TB RED	10	EA	199.80	C
	CTS35LY	50 mm ² FD THRU BOLT/NUT MELAMINE TB YLW	10	EA	199.80	C
ACCESSORIES	EP4P	PARTITION PLATE FOR CTS35L/70L/95L	10	EA	36.40	C
	CTSEP4	PARTITION PLATE FOR CTS35L/70L/95L	10	EA	38.70	C
	MC2B4	MARKER CARD 5.95MM PITCH WITH 72 TAGS	1	PKT	698.00	B
	MC2B4WP	PRNTD MARKER CARD 5.95MM PITCH 72 TAGS	1	PKT	806.00	B



Wire Range : 35 - 70 mm²
 Current (A) : 192 A
 Voltage (V) : 1000 V
 Dimensions Width
 (Thickness) x Length : 40 x 92 mm
 Height with
 Din 32 x 15 mm Rail : 55.2 mm



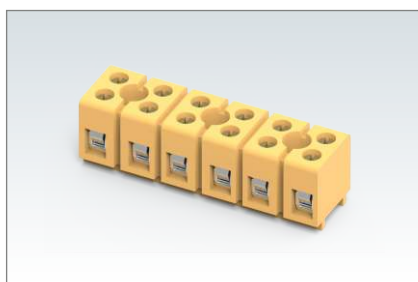
	Part #	Description	Std. Pack	UOM	List Price in	Group
TERMINAL BLOCK	CTS70L	70 mm ² FEED THRU BOLT/NUT MELAMINE TB	10	EA	297.00	C
	CTS70LS	70 mm ² FEED THRU SLTD BOLT MELAMINE TB	10	EA	316.50	C
	CTS70LBU	70 mm ² FD THRU BOLT/NUT MELAMINE TB BLUE	10	EA	326.80	C
	CTS70LBK	70 mm ² FD THRU BOLT/NUT MELAMINE TB BLK	10	EA	326.80	C
	CTS70LR	70 mm ² FD THRU BOLT/NUT MELAMINE TB RED	10	EA	326.80	C
	CTS70LY	70 mm ² FD THRU BOLT/NUT MELAMINE TB YLW	10	EA	326.80	C
ACCESSORIES	EP4P	PARTITION PLATE FOR CTS35L/70L/95L	10	EA	36.40	C
	CTSEP4	PARTITION PLATE FOR CTS35L/70L/95L	10	EA	38.70	C
	MC2B4	MARKER CARD 5.95MM PITCH WITH 72 TAGS	1	PKT	698.00	B
	MC2B4WP	PRNTD MARKER CARD 5.95MM PITCH 72 TAGS	1	PKT	806.00	B



Wire Range : 35 - 95 mm²
 Current (A) : 232 A
 Voltage (V) : 1000 V



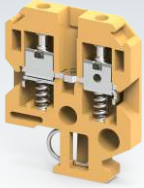
	Part #	Description	Std. Pack	UOM	List Price in	Group
TERMINAL BLOCK	CTS95L	95 mm ² FEED THRU BOLT/NUT MELAMINE TB	10	EA	346.50	C
	CTS95LS	95 mm ² FEED THRU SLTD BOLT MELAMINE TB	10	EA	349.50	C
	CTS95LBU	95 mm ² FD THRU BOLT/NUT MELAMINE TB BLU	10	EA	381.30	C
	CTS95LBK	95 mm ² FD THRU BOLT/NUT MELAMINE TB BLK	10	EA	381.30	C
	CTS95LR	95 mm ² FD THRU BOLT/NUT MELAMINE TB RED	10	EA	381.30	C
	CTS95LY	95 mm ² FD THRU BOLT/NUT MELAMINE TB YLW	10	EA	381.30	C
ACCESSORIES	EP4P	PARTITION PLATE FOR CTS35L/70L/95L	10	EA	36.40	C
	MC2B4	MARKER CARD 5.95MM PITCH WITH 72 TAGS	1	PKT	698.00	B
	MC2B4WP	PRNTD MARKER CARD 5.95MM PITCH 72 TAGS	1	PKT	806.00	B



Wire Range : 0.2 - 2.5 mm²
 Current (A) : 24 A
 Voltage (V) : 400 V




	Part #	Description	Std. Pack	UOM	List Price in	Group
TERMINAL BLOCK	CMST1	2.5 mm ² 12 POLE STRIP MELAMINE TERMINAL	20	EA	128.60	B
	CMST110W	2.5 mm ² 10 POLE STRIP MELAMINE TERMINAL	20	EA	115.00	B
	CMST12W	2.5 mm ² 2 POLE STRIP MELAMINE TERMINAL	120	EA	23.10	B
	CMST13W	2.5 mm ² 3 POLE STRIP MELAMINE TERMINAL	80	EA	34.50	B
	CMST14W	2.5 mm ² 4 POLE STRIP MELAMINE TERMINAL	60	EA	46.00	B
	CMST15W	2.5 mm ² 5 POLE STRIP MELAMINE TERMINAL	40	EA	57.60	B
	CMST16W	2.5 mm ² 6 POLE STRIP MELAMINE TERMINAL	40	EA	69.00	B
	CMST17W	2.5 mm ² 7 POLE STRIP MEL TERMINAL	30	EA	80.50	B
	CMST18W	2.5 mm ² 8 POLE STRIP MELAMINE TERMINAL	30	EA	91.90	B
	CMST19W	2.5 mm ² 9 POLE STRIP MELAMINE TERMINAL	25	EA	103.50	B
ACCESSORIES	CMSTPP	PARTITION PLATE FOR CMST SERIES TB	10	EA	8.60	B



Wire Range : 0.2 - 4 mm²
 Current (A) : 32 A
 Voltage (V) : 600 V
 Dimensions Width (Thickness) x Length : 6.7 x 40 mm
 Height with Din 32 x 15 mm Rail : 52 mm

JECKER CE C-SP US

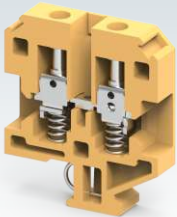
	Part #	Description	Std. Pack	UOM	List Price in	Group
TERMINAL BLOCK	CTS4SC	4 mm ² FD THRU SPRING LOADED MELAMINE TB	200	EA	30.60	C
ACCESSORIES	CTSEP1	END PLATE FOR CTS2.5/6/10	50	EA	7.20	C
	CTSP1L	PARTITION PLATE FOR CTS2.5/6/10 LONG	50	EA	15.30	C
	CTSP1B	PARTITION PLATE FOR CTS2.5/6/10 BROAD	50	EA	16.50	C
	MC2	MARKER CARD 6.25MM PITCH WITH 72 TAGS	1	PKT	698.00	B
	MC2WP	PRNTD MARKER CARD 6.25MM PITCH 72 TAGS	1	PKT	806.00	B



Wire Range : 1.5 - 6 mm²
 Current (A) : 41 A
 Voltage (V) : 600 V
 Dimensions Width (Thickness) x Length : 8 x 40 mm
 Height with Din 32 x 15 mm Rail : 52 mm

JECKER CE C-SP US

	Part #	Description	Std. Pack	UOM	List Price in	Group
TERMINAL BLOCK	CTS6SC	6 mm ² FD THRU SPRING LOADED MELAMINE TB	200	EA	51.60	C
ACCESSORIES	CTSEP1	END PLATE FOR CTS2.5/6/10	50	EA	7.20	C
	CTSP1L	PARTITION PLATE FOR CTS2.5/6/10 LONG	50	EA	15.30	C
	CTSP1B	PARTITION PLATE FOR CTS2.5/6/10 BROAD	50	EA	16.50	C
	MC2	MARKER CARD 6.25MM PITCH WITH 72 TAGS	1	PKT	698.00	B
	MC2WP	PRNTD MARKER CARD 6.25MM PITCH 72 TAGS	1	PKT	806.00	B



Wire Range : 1.5 - 10 mm²
 Current (A) : 57 A
 Voltage (V) : 800 V
 Dimensions Width (Thickness) x Length : 11 x 50 mm
 Height with Din 32 x 15 mm Rail : 59.5 mm

JECKER CE C-SP US

	Part #	Description	Std. Pack	UOM	List Price in	Group
TERMINAL BLOCK	CTS10SC	10 mm ² FD THRU SPRING LOADED MELAMINE TB	100	EA	55.10	C
ACCESSORIES	CTSEP1SC	END PLATE FOR CTS10SC	50	EA	14.30	C
	MC2	MARKER CARD 6.25MM PITCH WITH 72 TAGS	1	PKT	698.00	B
	MC2WP	PRNTD MARKER CARD 6.25MM PITCH 72 TAGS	1	PKT	806.00	B



Wire Range : 0.5 - 2.5 mm²
 Current (A) : 24 A
 Voltage (V) : 800 V
 Dimensions Width
 (Thickness) x Length : 25 x 19 mm



Part #	Description	Std. Pack	UOM	List Price in	Group						
CB4/1	2.5 mm ² 1 POLE FLOATING TYPE CERAMIC TB	50	EA	31.80	A						
CB4/2	2.5 MM ² 2 POLE FLOATING TYPE CERAMIC TB	100	EA	58.40	A						
CB4/2H	2.5MM ² 2 POLE WITH MOUNT HOLE CERAMIC TB	50	EA	63.50	A						
CB4/3	2.5 MM ² 3 POLE FLOATING TYPE CERAMIC TB	50	EA	83.50	A						
CB4/3H	2.5mm ² 3 POLE WITH MOUNT HOLE CERAMIC TB	50	EA	95.30	A						
TERMINAL BLOCK											



Wire Range : 0.5 - 4 mm²
 Current (A) : 32 A
 Voltage (V) : 800 V
 Dimensions Width
 (Thickness) x Length : 25 x 19 mm



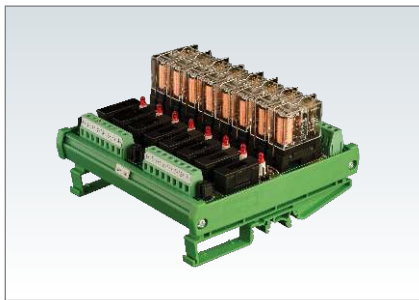
Part #	Description	Std. Pack	UOM	List Price in	Group						
CB6/1	4 mm ² 1 POLE FLOATING TYPE CERAMIC TB	50	EA	38.50	A						
CB6/2H	4 mm ² 2 POLE WITH MOUNT HOLE CERAMIC TB	50	EA	77.00	A						
CB6/3H	4 mm ² 3 POLE WITH MOUNT HOLE CERAMIC TB	50	EA	115.50	A						
CB6/4H	4 mm ² 4 POLE WITH MOUNT HOLE CERAMIC TB	50	EA	142.00	A						
TERMINAL BLOCK											



Wire Range : 1.5 - 10.0 mm²
 Current (A) : 57 A
 Voltage (V) : 800 V
 Dimensions Width
 (Thickness) x Length : 29 x 24 mm



Part #	Description	Std. Pack	UOM	List Price in	Group						
CB16/2H	10 mm ² 2 POLE WITH MOUNT HOLE CERAMIC TB	50	EA	105.80	A						
CB16/3H	10 mm ² 3 POLE WITH MOUNT HOLE CERAMIC TB	50	EA	158.60	A						
TERMINAL BLOCK											

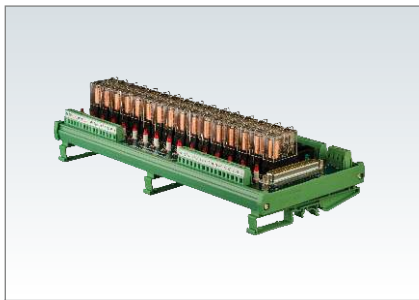


Relay Channels Boards

Wire Range : 0.2 - 2.5 mm²
 Coil Voltage (V) : 24VDC, 110VAC, 230VAC
 Number Of Channels : 1, 2, 4, 8, 16
 Dimensions Width
 Height x Length : 74 X 120 mm



Part #	Description	Std. Pack	UOM	List Price in	Group
IMRE1SF8/110A/OM	1CO 8CH RLY MOD 110~OMRON FUSE RAIL MT (IMRE1SF8/110A/OM)	1	EA	3540.00	E
IMRE1SSF16/110A/OM	1CO 16CH RLY MOD 110AC BASE OM FU RL	1	EA	7460.00	E
IMRE1SSF16/24/OM	1CO 16CH G2RL MOD 24DC BASE OM FUSE R (IMRE1SSF16/24/OM)	1	EA	4810.00	E
IMRE1SSF16/CNCD24D	1NO 16CH FU 24DSSR125DBASE IDC50 RL MT	1	EA	20730.00	E
IMRE1SSF16/OM/CNC	1CO 16CH FU G2RL-1 RLY 24DC IDC50 RL MT	1	EA	5990.00	E
IMRE2SSF1/24/OM	2CO 1CH RLY MOD 24DC BASE OM FUSE RL	1	EA	503.00	E
IMRE2SSF2/24/OM	2CO 2CH O/P FUSE RL MOD 24DC BASE OM (IMRE2SSF2/24/OM)	1	EA	950.00	E
IMRE2SSF4/110A/OM	2CO 4CH RLY MOD 110A BS OM FU RL MT	1	EA	2330.00	E
IMRE2SSF4/24/OM	2CO 4CH RLY MOD 24DC BASE OM FUSE RL (IMRE2SSF4/24/OM)	1	EA	1670.00	E
IMRE2SSF8/230A/OM	2CO 8CH RLY MOD 230A BASE OM FUSE RL MT (IMRE2SSF8/230A/OM)	1	EA	5230.00	E
IMRE2SSF8/24/OM	2CO 8CH G2R MOD 24DC BASE NEG RAIL MT (IMRE2SSF8/24/OM)	1	EA	3080.00	E
IMRE2SSF4/24/OM/1	2CO 4CH 24DC BAS OM G2RL FU FL O/P24DCRL	1	EA	2290.00	E
IMREF1SS4/24/OM	1CO 4CH IP FUSE RL MOD 24DC BASE OM R	1	EA	1320.00	E
IMREF1SS8/110A/OM	1CO 8CH IP FU RL 110AC BS OM RLMT	1	EA	3693.00	E
IMREF1SS8/24/OM	1CO 8CH IP FUSE RL MOD 24DC BASE OM R (IMREF1SS8/24/OM)	1	EA	2390.00	E
IMREF2SS8/230A/OM	2CO 8CH IP FU RLY 230AC B OM RL MT (IMREF2SS8/230A/OM)	1	EA	4920.00	E
IMREF2SS8/24/OM	2CO 8CH IP FUSE RL MOD 24DC BASE OM	1	EA	3080.00	E

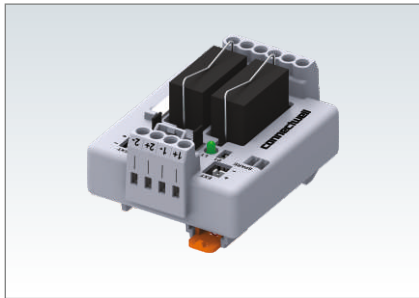


Relay Channels Boards

Wire Range : 0.2 - 2.5 mm²
 Coil Voltage (V) : 24VDC
 Number Of Channels : 16, 32
 Dimensions Width
 Height x Length : 54 X 77 mm



Part #	Description	Std. Pack	UOM	List Price in	Group
IMREDI16/24/DM37OM	1CO 16CH G2RL RLY 24DC BS DI FU DM37RLMT	1	EA	5414.00	E
IMRE/DO16/24/DM37	1CO 16CH RLY 24DC BS DO FU DM37 RLMT	1	EA	5554.00	E
IMRE/DI32/24/DM37	2CO 32(MAIN16CH)24DC BASE DI DB37-FBM217	1	EA	8540.00	E
IMRE/DI32/24/DM37E	2CO 32(EXTN16CH)24DC BASEDI+CBLE-FBM217	1	EA	8170.00	E



Relay Channels Boards

Wire Range : 0.2 - 2.5 mm²
 Coil Voltage (V) : 12VDC, 24VDC,
 24VAC, 110VAC,
 230VAC
 Number Of Channels : 2, 4, 8
 Number Of Changeover: 1CO & 2CO



Part #	Description	Std. Pack	UOM	List Price in	Group
CIMRE1SS2/12/OM	1CO 2CH CW RLY MOD 12DC BASE OM RAIL MT	1	EA	793.00	E
CIMRE1SS2/24/OM	1CO 2CH CW RLY MOD 24DC BASE OM RAIL MT	1	EA	552.00	E
CIMRE1SS2/24A/OM	1CO 2CH CW RLY MOD 24AC BASE OM RAIL MT	1	EA	1082.00	E
CIMRE1SS2/110A/OM	1CO 2CH CW RLY MOD 110AC BASE OM RAIL MT	1	EA	1004.00	E
CIMRE1SS2/230A/OM	1CO 2CH CW RLY MOD 230AC BASE OM RAIL MT	1	EA	1224.00	E
CIMRE1SS4/12/OM	1CO 4CH CW RLY MOD 12DC BASE OM RAIL MT	1	EA	1442.00	E
CIMRE1SS4/24/OM	1CO 4CH CW RLY MOD 24DC BASE OM RAIL MT	1	EA	958.00	E
CIMRE1SS4/24A/OM	1CO 4CH CW RLY MOD 24AC BASE OM RAIL MT	1	EA	2235.00	E
CIMRE1SS4/110A/OM	1CO 4CH CW RLY MOD 110AC BASE OM RAIL MT	1	EA	1932.00	E
CIMRE1SS4/230A/OM	1CO 4CH CW RLY MOD 230AC BASE OM RAIL MT	1	EA	2228.00	E
CIMRE1SS8/12/OM	1CO 8CH CW RLY MOD 12DC BASE OM RAIL MT	1	EA	2711.00	E
CIMRE1SS8/24/OM	1CO 8CH CW RLY MOD 24DC BASE OM RAIL MT	1	EA	1803.00	E
CIMRE1SS8/24A/OM	1CO 8CH CW RLY MOD 24AC BASE OM RAIL MT	1	EA	3527.00	E
CIMRE1SS8/110A/OM	1CO 8CH CW RLY MOD 110AC BASE OM RAIL MT	1	EA	3822.00	E
CIMRE1SS8/230A/OM	1CO 8CH CW RLY MOD 230AC BASE OM RAIL MT	1	EA	4169.00	E
CIMRE2SS2/12/OM	2CO 2CH CW RLY MOD 12DC BASE OM RAIL MT	1	EA	997.00	E
CIMRE2SS2/24/OM	2CO 2CH CW RLY MOD 24DC BASE OM RAIL MT	1	EA	768.00	E
CIMRE2SS2/24A/OM	2CO 2CH CW RLY MOD 24AC BASE OM RAIL MT	1	EA	1196.00	E
CIMRE2SS2/110A/OM	2CO 2CH CW RLY MOD 110AC BASE OM RAIL MT	1	EA	1177.00	E
CIMRE2SS2/230A/OM	2CO 2CH CW RLY MOD 230AC BASE OM RAIL MT	1	EA	1202.00	E
CIMRE2SS4/12/OM	2CO 4CH CW RLY MOD 12DC BASE OM RAIL MT	1	EA	1844.00	E
CIMRE2SS4/24/OM	2CO 4CH CW RLY MOD 24DC BASE OM RAIL MT	1	EA	1312.00	E
CIMRE2SS4/24A/OM	2CO 4CH CW RLY MOD 24AC BASE OM RAIL MT	1	EA	2229.00	E
CIMRE2SS4/110A/OM	2CO 4CH CW RLY MOD 110AC BASE OM RAIL MT	1	EA	2250.00	E
CIMRE2SS4/230A/OM	2CO 4CH CW RLY MOD 230AC BASE OM RAIL MT	1	EA	2284.00	E
CIMRE2SS8/12/OM	2CO 8CH CW RLY MOD 12DC BASE OM RAIL MT	1	EA	3375.00	E
CIMRE2SS8/24/OM	2CO 8CH CW RLY MOD 24DC BASE OM RAIL MT	1	EA	2480.00	E
CIMRE2SS8/24A/OM	2CO 8CH CW RLY MOD 24AC BASE OM RAIL MT	1	EA	4188.00	E
CIMRE2SS8/110A/OM	2CO 8CH CW RLY MOD 110AC BASE OM RAIL MT	1	EA	4038.00	E
CIMRE2SS8/230A/OM	2CO 8CH CW RLY MOD 230AC BASE OM RAIL MT	1	EA	4356.00	E

IMRE

**SSR Slim Relay**

Wire Range : 0.2 - 2.5 mm²
 Coil Voltage (V) : 24VDC, 48-60V
 120V, 230VAC,
 24VUC

Dimensions Width
 (Thickness) x Length : 6 X 94.5 mm
 Height : 96 mm



Part #	Description	Std. Pack	UOM	List Price in	Group
CSER1-24D48D4XC	SLIM RELY MOD SSR 1NO 24VDC SP CL	10	EA	1339.00	E
CSER1-24D48D4XD	SLIM RELY MOD SSR 1NO 24VDC SP CL	10	EA	1291.00	E
CSER1-24D48D4YC	SLIM RELY MOD SSR 1NO 24VDC SW CL	10	EA	1339.00	E
CSER1-24D48D4YD	SLIM RELY MOD SSR 1NO 24VDC SW CL	10	EA	1291.00	E
CSER1-24D48D100XC	SLIM RELY MOD SSR 1NO 24VDC SP CL	10	EA	861.00	E
CSER1-24D48D100XD	SLIM RELY MOD SSR 1NO 24VDC SP CL	10	EA	861.00	E
CSER1-24D48D100YC	SLIM RELY MOD SSR 1NO 24VDC SW CL	10	EA	861.00	E
CSER1-24U48D4XC	SLIM RELY MOD SSR 1NO 24VAC/DC SP CL	10	EA	1376.00	E
CSER1-24U48D4YC	SLIM RELY MOD SSR 1NO 24VAC/DC SW CL	10	EA	1376.00	E
CSER1-24U48D4YD	SLIM RELY MOD SSR 1NO 24VAC/DC SW CL	10	EA	1327.00	E
CSER1-24U48D100XC	SLIM RELY MOD SSR 1NO 24VAC/DC SP CL	10	EA	889.00	E
CSER1-24U48D100YC	SLIM RELY MOD SSR 1NO 24VAC/DC SW CL	10	EA	889.00	E
CSER1-24U48D100YD	SLIM RELY MOD SSR 1NO 24VAC/DC SW CL	10	EA	889.00	E
CSER1-24D380A2XC	SLIM RELY MOD SSR 1NO 24VDC SP CL	10	EA	1004.00	E
CSER1-24D380A2YC	SLIM RELY MOD SSR 1NO 24VDC SW CL	10	EA	1004.00	E
CSER1-24U380A2XC	SLIM RELY MOD SSR 1NO 24VAC/DC SP CL	10	EA	1004.00	E
CSER1-24U380A2YC	SLIM RELY MOD SSR 1NO 24VAC/DC SW CL	10	EA	1004.00	E
CSER1-4860U48D4XC	SLIM RELY MOD SSR 1NO 48-60VAC/DC SP CL	10	EA	1376.00	E
CSER1-4860U48D4YC	SLIM RELY MOD SSR 1NO 48-60VAC/DC SW CL	10	EA	1376.00	E
CSER14860U48D100XC	SLIM RELY MOD SSR 1NO 48-60VAC/DC SP CL	10	EA	889.00	E
CSER14860U48D100YC	SLIM RELY MOD SSR 1NO 48-60VAC/DC SW CL	10	EA	889.00	E
CSER1-4860U380A2XC	SLIM RELY MOD SSR 1NO 48-60VAC/DC SP CL	10	EA	1004.00	E
CSER1-4860U380A2YC	SLIM RELY MOD SSR 1NO 48-60VAC/DC SW CL	10	EA	1004.00	E
CSER1-120U48D4XC	SLIM RELY MOD SSR 1NO 120VAC/DC SP CL	10	EA	1376.00	E
CSER1-120U48D4YC	SLIM RELY MOD SSR 1NO 120VAC/DC SW CL	10	EA	1376.00	E
CSER1-120U48D100XC	SLIM RELY MOD SSR 1NO 120VAC/DC SP CL	10	EA	889.00	E
CSER1-120U48D100YC	SLIM RELY MOD SSR 1NO 120VAC/DC SW CL	10	EA	889.00	E
CSER1-120U380A2XC	SLIM RELY MOD SSR 1NO 120VAC/DC SP CL	10	EA	1004.00	E
CSER1-120U380A2YC	SLIM RELY MOD SSR 1NO 120VAC/DC SW CL	10	EA	1004.00	E
CSER1-230A48D4XC	SLIM RELY MOD SSR 1NO 230VAC SP CL	10	EA	1451.00	E
CSER1-230A48D4YC	SLIM RELY MOD SSR 1NO 230VAC SW CL	10	EA	1451.00	E
CSER1-230A48D100XC	SLIM RELY MOD SSR 1NO 230VAC SP CL	10	EA	1004.00	E
CSER1-230A48D100YC	SLIM RELY MOD SSR 1NO 230VAC SW CL	10	EA	1004.00	E
CSER1-230A380A2XC	SLIM RELY MOD SSR 1NO 230VAC SP CL	10	EA	1040.00	E
CSER1-230A380A2YC	SLIM RELY MOD SSR 1NO 230VAC SW CL	10	EA	1040.00	E
JX4/2	2 POLE SHRT LNK FR 6MM WIDE SP CL TB	100	EA	17.40	A
JX4/3	3 POLE SHRT LNK FR 6MM WIDE SP CL TB	50	EA	29.90	A



EMR Slim Relay

Wire Range : 0.2 - 2.5 mm²
 Input Voltage Range (V) : 5VDC, 24VDC,
 12VUL, 24VUL,
 48-60VUC, 120VUL,
 230VUC, 230VAC

Dimensions Width
 (Thickness) x Length : 6 x 94.5 x 96 mm
 Height



Part #	Description	Std. Pack	UOM	List Price in	Group	
SLIM RELAY	CSR1S-5DXA	SLIM RELY MOD EMR 1CO 5VDC SP CL	10	EA	474.00	E
	CSR1S-5DYA	SLIM RELY MOD EMR 1CO 5VDC SW CL	10	EA	474.00	E
	CSR1S-24DXA	SLIM RELY MOD EMR 1CO 24VDC SP CL	10	EA	413.00	E
	CSR1S-24DXB	SLIM RELY MOD CW EMR 1CO 24VDC SP CL	10	EA	395.00	E
	CSR1S-24DYA	SLIM RELY MOD EMR 1CO 24VDC SW CL	10	EA	413.00	E
	CSR1S-24DYB	SLIM RELY MOD CW EMR 1CO 24VDC SW CL	10	EA	395.00	E
	CSR1S-12UXA	SLIM RELY MOD EMR 1CO 12VAC/DC SP CL	10	EA	474.00	E
	CSR1S-12UYA	SLIM RELY MOD EMR 1CO 12VAC/DC SW CL	10	EA	474.00	E
	CSR1S-24UXA	SLIM RELY MOD EMR 1CO 24VAC/DC SP CL	10	EA	495.00	E
	CSR1S-24UXB	SLIM RELY MOD CW EMR 1CO 24VAC/DC SP CL	10	EA	474.00	E
	CSR1S-24UYA	SLIM RELY MOD EMR 1CO 24VAC/DC SW CL	10	EA	495.00	E
	CSR1S-24UYB	SLIM RELY MOD CW EMR 1CO 24VAC/DC SW CL	10	EA	474.00	E
	CSR1S-48-60UXA	SLIM RELY MOD EMR 1CO 48-60VAC/DC SP CL	10	EA	495.00	E
	CSR1S-48-60UXB	SLIM RELY MOD CW EMR 1CO 48-60VAC/DC SP CL	10	EA	474.00	E
	CSR1S-48-60UYA	SLIM RELY MOD EMR 1CO 48-60VAC/DC SW CL	10	EA	495.00	E
	CSR1S-48-60UYB	SLIM RELY MOD CW EMR 1CO 48-60VAC/DC SW CL	10	EA	474.00	E
	CSR1S-120UXA	SLIM RELY MOD EMR 1CO 120VAC/DC SP CL	10	EA	495.00	E
	CSR1S-120UXB	SLIM RELY MOD CW EMR 1CO 120VAC/DC SP CL	10	EA	474.00	E
	CSR1S-120UYA	SLIM RELY MOD EMR 1CO 120VAC/DC SW CL	10	EA	495.00	E
	CSR1S-120UYB	SLIM RELY MOD CW EMR 1CO 120VAC/DC SW CL	10	EA	474.00	E
	CSR1S-230AXA	SLIM RELY MOD EMR 1CO 230VAC SP CL	10	EA	600.00	E
	CSR1S-230AXB	SLIM RELY MOD CW EMR 1CO 230VAC SP CL	10	EA	574.00	E
	CSR1S-230AYA	SLIM RELY MOD EMR 1CO 230VAC SW CL	10	EA	600.00	E
	CSR1S-230AYB	SLIM RELY MOD CW EMR 1CO 230VAC SW CL	10	EA	574.00	E
	CSR1S-230UXA	SLIM RELY MOD EMR 1CO 230VAC/DC SP CL	10	EA	663.00	E
	CSR1S-230UXA-SN	SLIM RELY MOD EMR 1CO 230VUC-SN SP CL	10	EA	840.00	E
	CSR1S-230UXB	SLIM RELY MOD CW EMR 1CO 230VAC/DC S	10	EA	611.00	E
	CSR1S-230UYA	SLIM RELY MOD EMR 1CO 230VAC/DC SW CL	10	EA	651.00	E
CSR1S-230UYA-SN	SLIM RELY MOD EMR 1CO 230VUC-SN SC CL	10	EA	840.00	E	
CSR1S-230UYB	SLIM RELY MOD CW EMR 1CO 230VAC/DC S	10	EA	611.00	E	
ACCESSORIES	ADID24V	ADID ADAPTOR	1	EA	1882.00	D
	ADIF24V	ADIF ADAPTOR	1	EA	1882.00	D
	ADOD24V	ADOD ADAPTOR	1	EA	1882.00	D
	ADOF24V	ADOF ADAPTOR	1	EA	1882.00	D
	IMACC/SER/24D48D4	IM ACC SSR 24DC IN & DC OUT 4A	50	EA	1177.00	E
	IMACC/SR1S/12	IM ACC SLIM RELAY 1CO 12VDC	50	EA	259.00	E
	IMACC/SR1S/24	IM ACC SLIM RELAY 1CO 24VDC	50	EA	229.00	E
	IMACC/SR1S/60	IM ACC SLIM RELAY 1CO 60VDC	50	EA	427.00	E
	SRL1-24D	CW SLIM RELAY SPDT 24VDC 1 CO	1	EA	234.00	E
	JX4/2	2 POLE SHRT LNK FR 6MM WIDE SP CL TB	100	EA	17.40	A
JX4/3	3 POLE SHRT LNK FR 6MM WIDE SP CL TB	50	EA	29.90	A	



Redundancy Module

Wire Range : 0.2 - 2.5 mm²
 Input Voltage Range (V) : 10.2 to 30 VDC
 Dimensions Width (Thickness) x Length : 12.5x124 mm
 Height : 90 mm



	Part #	Description	Std. Pack	UOM	List Price in	Group
REDUNDANCY MODULE	CDR10	24V, 10A REDUNDANT MODULE	1	EA	2270.00	E
	CDR20	24V, 20A REDUNDANT MODULE	1	EA	3400.00	E
	CDR40	24V, 40A REDUNDANT MODULE	1	EA	5880.00	E

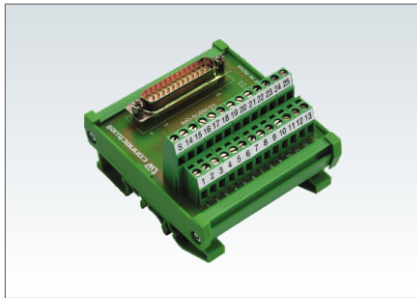


Power Supply

Wire Range : 0.2 - 2.5 mm²
 Input Voltage : 90~264VAC
 127~370VDC
 Dimensions Height x Length : 65 X 88 mm



	Part #	Description	Std. Pack	UOM	List Price in	Group
POWER SUPPLIES	CSS50/24/2.1	SMPS CW 1PH 50W 24VDC 2.1A	1	EA	1610.00	E
	CSS60/24/2.5	SMPS CW 1PH 60W 24VDC 2.5A	1	EA	1640.00	E
	CSS120/24/5	SMPS CW 1PH 120W 24VDC 5A	1	EA	3890.00	E
	CSS240/24/10	SMPS 1PH 240W 24VDC 10A RL MNTG	1	EA	7140.00	E
	CSS480/24/20	SMPS 1PH 480W 24VDC 20A RL MNTG	1	EA	13230.00	E



Connector Module

Wire Range : 0.2 - 2.5 mm²
 No. of Channels : 9, 15, 25, 37, 50
 Dimensions
 Height x Length : 65 X 88 mm



Part #	Description	Std. Pack	UOM	List Price in	Group
IMDSUBM/9/S	9PIN M-DSUB MOD RAIL MNT	1	EA	306.00	D
IMDSUBM/9/SC	9PIN M-DSUB MOD SPRING CAGE TB RAIL MNT	1	EA	381.00	D
IMDSUBF/9/H	9PIN F-DSUB MOD WTH HOLE RAIL MNT	1	EA	352.00	D
IMDSUBM/9/8CH	9 PIN M-DSUB 8CH MOD RAIL MNT	1	EA	1962.00	D
IMDSUBM/9/L1	9PIN M-DSUB MOD LED INDIC. RAIL MNT	1	EA	400.00	D
IMDSUBF/15/H	15PIN F-DSUB MOD WTH HOLE RAIL MNT	1	EA	521.00	D
IMDSUBM/15/H	15PIN M-DSUB MOD WTH HOLE RAIL MNT	1	EA	490.00	D
IMDSUBM/15/S	15PIN M-DSUB MOD RAIL MNT	1	EA	400.00	D
IMDSUBF/15/S	15PIN F-DSUB MOD RAIL MNT	1	EA	400.00	D
IMDSUBF/15/SC	15PIN F-DSUB MOD SPRING CAGE TB RAIL MNT (IMDSUBF/15/SC)	1	EA	556.00	D
IMDSUBM/15/SC	15PIN M-DSUB MOD SPRING CAGE TB RAIL MNT	1	EA	556.00	D
IMDSUBM/25/S	25PIN M-DSUB MOD RAIL MNT	1	EA	613.00	D
IMDSUBF/25/S	25PIN F-DSUB MOD RAIL MNT	1	EA	613.00	D
IMDSUBM/25/H	25PIN M-DSUB MOD WTH HOLE RAIL MNT	1	EA	736.00	D
IMDSUBF/25/H	25PIN F-DSUB MOD WTH HOLE RAIL MNT	1	EA	736.00	D
IMDSUBM/25/SC	25PIN M-DSUB MOD SPRING CAGE TB RAIL MNT	1	EA	860.00	D
IMDSUBM/25/L1	25PIN M-DSUB MOD LED INDIC. RAIL MNT	1	EA	873.00	D
IMDSUBM/25/MIL	25PIN M-DSUB MIL(LCSO) GRD MOD RLMT	1	EA	1590.00	D
IMDSUBM/37/S	37PIN M-DSUB MOD RAIL MNT	1	EA	873.00	D
IMDSUBF/37/S	37PIN F-DSUB MOD RAIL MNT	1	EA	873.00	D
IMDSUBM/37/SC	37PIN M-DSUB MOD SPRING CAGE TB RAIL MNT	1	EA	1310.00	D
IMDSUBF/37/SC	37PIN F-DSUB SPRING CAGE RAIL MT	1	EA	1233.00	D
IMDSUBM/37/H	37PIN M-DSUB MOD WTH HOLE RAIL MNT (IMDSUBM/37/H)	1	EA	1042.00	D
IMDSUBF/37/H	37PIN F-DSUB MOD WTH HOLE RAIL MNT	1	EA	1042.00	D
IMDSUBM/37/L1	37PIN M-DSUB MOD LED INDIC. RAIL MNT	1	EA	1320.00	D
IMDSUBF/37/L1	37PIN F-DSUB MOD LED INDIC. RAIL MNT	1	EA	1320.00	D
IMDSUBM/50/S	50PIN M-DSUB MOD RAIL MNT	1	EA	1060.00	D
IMDSUBF/50/S	50PIN F-DSUB MOD RAIL MNT	1	EA	1060.00	D
IMDSUBF/50/SC	50PIN F-DSUB SPRING CAGE RAIL MT (IMDSUBF/50/SC)	1	EA	1764.00	D

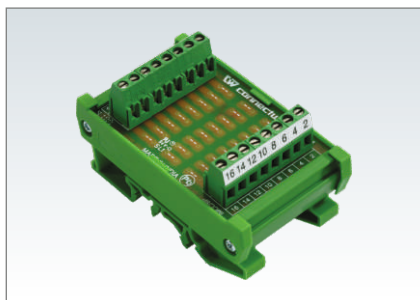


Connector Module

Wire Range : 0.2 - 2.5 mm²
 No. of Channels : 10, 14, 16, 20, 26, 34, 40, 50, 64
 Dimensions
 Height x Length : 51 X 88 mm



Part #	Description	Std. Pack	UOM	List Price in	Group
IMIDC/10/H/L	10PIN IDC MOD LNG LTCH WTH HOLE RAIL MNT	1	EA	322.00	D
IMIDC/10/S/L	10PIN IDC MOD LNG LTCH RAIL MNT	1	EA	276.00	D
IMIDC/10/SC/L	10PIN IDC MOD SPR TB LNG LTCH RAIL MNT	1	EA	334.00	D
IMIDC/10/SC/LP	10PIN IDC MOD SPR TB LNG LTCH PNL MNTG	1	EA	334.00	D
IMIDC/14/S/L	14PIN IDC MOD LNG LTCH RAIL MNT	1	EA	352.00	D
IMIDC/16/S/L	16PIN IDC MOD LNG LTCH RAIL MNT	1	EA	383.00	D
IMIDC/20/H/L	20PIN IDC MOD LNG LTCH WTH HOLE RAIL (IMIDC/20/H/L)	1	EA	536.00	D
IMIDC/20/L1/L	20PIN IDC MOD LONG LATCH LED INDIC.	1	EA	800.00	D
IMIDC/20/S/L	20PIN IDC MOD LNG LTCH RAIL MNT	1	EA	475.00	D
IMIDC/20/SC/L	20PIN IDC MOD SPR TB LNG LTCH RAIL MNT	1	EA	826.00	D
IMIDC/26/H/L	26PIN IDC MOD LNG LTCH WTH HOLE RAIL MNT	1	EA	720.00	D
IMIDC/26/S/L	26PIN IDC MOD LNG LTCH RAIL MNT	1	EA	600.00	D
IMIDC/34/H/L	34PIN IDC MOD LNG LTCH WTH HOLE RAIL MNT (IMIDC/34/H/L)	1	EA	690.00	D
IMIDC/34/S/L	34PIN IDC MOD LNG LTCH RAIL MNT	1	EA	660.00	D
IMIDC/34/SC/L	34PIN IDC MOD SPR TB LNG LTCH RAIL MNT	1	EA	860.00	D
IMIDC/40/H/L	40PIN IDC MOD LNG LTCH WTH HOLE RAIL MNT	1	EA	920.00	D
IMIDC/40/L1/L	40PIN IDC MOD LONG LATCH LED INDIC (IMIDC/40/L1/L)	1	EA	1533.00	D
IMIDC/40/S/L	40PIN IDC MOD LNG LTCH RAIL MNT	1	EA	782.00	D
IMIDC/40/S/L-1	40PIN IDC MOD LNG LTCH RL MT WITH CABLE	1	EA	3525.00	D
IMIDC/40/SC/L	40PIN IDC MOD SPR TB LNG LTCH RAIL MNT	1	EA	1100.00	D
IMIDC/50/H/L	50PIN IDC MOD LNG LTCH WTH HOLE RAIL MNT	1	EA	1165.00	D
IMIDC/50/L1/L	50PIN IDC LONG LATCH LED INDIC RAIL (IMIDC/50/L1/L)	1	EA	1720.00	D
IMIDC/50/S/L	50PIN IDC MOD LNG LTCH RAIL MNT	1	EA	1030.00	D
IMIDC/50/SC/L	50PIN IDC SPR LNG LTCH RAIL MT IMIDC/50/SC/L	1	EA	1370.00	D
IMIDC/64/S/L	64PIN IDC MOD LNG LTCH RAIL MNT	1	EA	1394.00	D

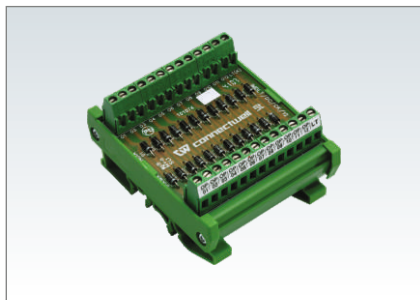


Passive Module

Wire Range : 0.2 - 2.5 mm²
 No. of Channels : 4, 8, 12, 16, 20, 24
 Dimensions
 Height x Length : 51 X 88 mm



Part #	Description	Std. Pack	UOM	List Price in	Group
IMCC/4	4CH COMP CARRIER MOD RAIL MNT	1	EA	230.00	D
IMCC/8	8CH COMP CARRIER MOD RAIL MNT	1	EA	400.00	D
IMCC/10	10CH COMP CARRIER MOD RAIL MNT (IMCC/10)	1	EA	460.00	D
IMCC/12	12CH COMP CARRIER MOD RAIL MNT	1	EA	552.00	D
IMCC/16	16CH COMP CARRIER MOD RAIL MNT	1	EA	720.00	D
IMCC/20	20CH COMP CARRIER MOD RAIL MNT (IMCC/20)	1	EA	860.00	D
IMCC/24	24CH COMP CARRIER MOD RAIL MNT	1	EA	1030.00	D

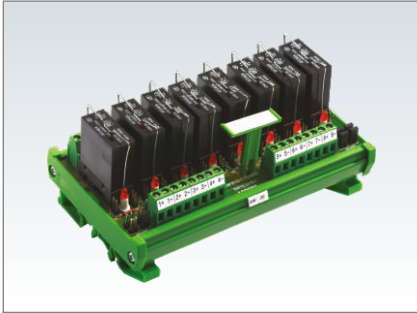


Passive Module

Wire Range : 0.2 - 2.5 mm²
 Control Voltage Range : 5VDC, 12VDC, 24VDC
 Dimensions
 Height x Length : 74 X 88 mm



Part #	Description	Std. Pack	UOM	List Price in	Group
IMD/S/4	4CH DIODE MOD SNGL DIODE RAIL MNT	1	EA	260.00	D
IMD/CA/6	6CH DIODE MOD CMN ANODE RAIL MNT	1	EA	260.00	D
IMD/S/8	8CH DIODE MOD SNGL DIODE RAIL MNT	1	EA	460.00	D
IMD/S/10	10CH DIODE MOD SNGL DIODE RAIL MNT	1	EA	613.00	D
IMD/S/12	12CH DIODE MOD SNGL DIODE RAIL MNT	1	EA	630.00	D
IMD/CA/14	14CH DIODE MOD CMN ANODE RAIL MNT	1	EA	490.00	D
IMD/S/16	16CH DIODE MOD SNGL DIODE RAIL MNT	1	EA	812.00	D
IMD/CA/16	16CH DIODE MOD CMN ANODE RAIL MNT	1	EA	475.00	D
IMD/S/20	20CH DIODE MOD SNGL DIODE RAIL MNT	1	EA	1011.00	D
IMD/CA/22	22CH DIODE MOD CMN ANODE RAIL MNT	1	EA	705.00	D
IMD/CK/22	22CH DIODE MOD CMN CATH RAIL MNT	1	EA	705.00	D
IMD/S/24	24CH DIODE MOD SNGL DIODE RAIL MNT	1	EA	1201.00	D
IMDLT/DC/S/5	5CH DC LAMP TST MOD RAIL MNT	1	EA	490.00	D
IMDLT/DC/CA/5	5CH DCLAMP TSTMOD CMNANODE RAILMNT	1	EA	552.00	D
IMDLT/DC/S/6	6CH DC LAMP TST MOD RAIL MNT (IMDLT/DC/S/6)	1	EA	613.00	D
IMDLT/DC/S/10	10CH DC LAMP TST MOD RAIL MNT	1	EA	873.00	D
IMDLT/DC/CA/10	10CH DCLAMP TSTMOD CMNANODE RAILMNT	1	EA	873.00	D
IMDLT/DC/CA/12	12CH DC LAMP TST MOD CMN ANODE RAIL MNT	1	EA	935.00	D
IMDLT/DC/CK/12	12CH DC LAMP TST MOD CMN CATH RAIL MNT	1	EA	935.00	D
IMDLT/DC/CA/16	16CH DC LAMP TST MOD CMN ANODE RAIL MNT	1	EA	1440.00	D
IMDLT/DC/CA/24	24CH DC LAMP TST CMN ANODE RAIL MT (IMDLT/DC/CA/24)	1	EA	1870.00	D
IMDLT/AC/5	5CH AC LAMP TST MOD RAIL MNT	1	EA	490.00	D
IMDLT/AC/10	10CH AC LAMP TST MOD RAIL MNT	1	EA	906.00	D
IMDLT/AC/22	22CH AC LAMP TST MOD RAIL MNT	1	EA	1150.00	D



Interface & Control Module

Wire Range : 0.2 - 2.5 mm²
 Coil Voltage : 12VDC, 24VDC, 110VAC, 230VAC
 Dimensions
 Height x Length : 74 X 120 mm



Part #	Description	Std. Pack	UOM	List Price in	Group
IMERS1/05D125D2	1CH SSR MOD 05DC IN/OUT 2A BASE RL MNTG	1	EA	674.00	E
IMER4/05D125D2	4CH SSR MOD 05DC IN/OUT 2A ON PCB RL MTG	1	EA	2384.00	E
IMERS1/24D125D2	1CH SSR MOD 24DC IN/OUT 2A BASE RL MNTG	1	EA	1000.00	E
IMERS1/24D400A3	1CH SSR 24DC I/P AC O/P 3A BASE RL MNTG	1	EA	1310.00	E
IMERS2/24D125D2	2CH SSR MOD 24DC IN/OUT 2A BASE RL MNTG	1	EA	1793.00	E
IMERS2/24D400A3	2CH SSR 24DC I/P AC O/P 3A BS RL MTG	1	EA	2870.00	E
IMERS4/24D125D2	4CH SSR MOD 24DC IN/OUT 2A BASE RL MNTG	1	EA	3862.00	E
IMERS4/24D400A3	4CH SSR 24DC I/P AC O/P 3A BASE RL MNTG	1	EA	4764.00	E
IMER4/24D125D2	4CH SSR MOD 24DC IN/OUT 2A RL MNTG	1	EA	3724.00	E
IMER4/24D400A3	4CH SSR 24DC I/P AC O/P 3A RL MNTG	1	EA	5510.00	E
IMERS8/05D125D2	8CH SSR MOD 05DC IN/OUT 2A BASE RL MT (IMERS8/05D125D2)	1	EA	4770.00	E
IMERS8/05D400A3	8CH SSR 05DC I/P AC O/P 3A BS RL MTG	1	EA	7065.00	E
IMERS8/05D125D2	8CH SSR 05DC IN/OUT 2A ON PCB RL MT	1	EA	4672.00	E
IMERS8/24D125D2	8CH SSR MOD 24DC IN/OUT 2A BASE RL MNTG	1	EA	7680.00	E
IMERS8/24D400A3	8CH SSR 24DC I/P AC O/P 3A BASE RL MNTG	1	EA	11420.00	E
IMER8/24D125D2	8CH SSR MOD 24DC IN/OUT 2A ON PCB RL MTG	1	EA	7370.00	E
IMER8/24D400A3	8CH SSR 24DC I/P AC O/P 3A RL MNTG	1	EA	11160.00	E
IMERS16/24D400A3	16CH SSR 24DC I/P AC O/P 3A BASE RL MNTG (IMERS16/24D400A3)	1	EA	20920.00	E



Interface & Control Module

Wire Range : 0.2 - 2.5 mm²
 Rated Current : 12A
 Rated Voltage : 300V
 Dimensions
 Width x Length : 55 X 106 mm
 Height : 108 mm



Part #	Description	Std. Pack	UOM	List Price in	Group
IMERSF2/05D125D2	2CH SSR 05DC IN/OUT FU 2A BASE RL MNTG (IMERSF2/05D125D2)	1	EA	2682.00	E
IMERSF2/24D125D2	2CHSSR24DC IN/OUT FU2A BASE RLMNTG	1	EA	2023.00	E
IMERSF2/24D400A3	2CH SSR 24DC I/P AC O/P 3A FU BSE RL MT	1	EA	2710.00	E
IMERSF4/24D125D2	4CH SSR 24DC IN/OUT FU 2A BASE RL MNTG	1	EA	3984.00	E
IMERSF4/24D400A3	4CH SSR 24DC I/P AC O/P 3A FU RLMT	1	EA	5960.00	E
IMERSF8/05D125D2	8CH SSR 05DC IN/OUT FU 2A BASE RL MNTG (IMERSF8/05D125D2)	1	EA	9100.00	E
IMERSF8/05D400A3	8CH SSR 05DC IN/AC OUT 3A FU BASE RL MT	1	EA	7360.00	E
IMERSF8/24D125D2	8CH SSR 24DC IN/OUT FU 2A BASE RL MNTG	1	EA	7920.00	E
IMERSF8/24D400A3	8CH SSR 24DC I/P AC O/P 3A FU BASE RL MT	1	EA	10720.00	E
IMERSFC8/24D400A3	8CH SSR 24DC I/P AC O/P3A .5AF BASE RLMT (IMERSFC8/24D400A3)	1	EA	10720.00	E
IMERSF16/05D125D2	16CH SSR 5DC IN/OUT FU 2A BASE RL MNTG (IMERSF16/05D125D2)	1	EA	19770.00	E
IMERSF16/24D125D2	16CH SSR 24DC IN/OUT FU 2A BASE RL MNTG	1	EA	19920.00	E
IMERSF16/24D400A3	16CH SSR 24DC I/P AC O/P 3A FU BSE RL MT	1	EA	24470.00	E



Fan Monitoring Device

Wire Range : 0.2 - 2.5 mm²
 Dimensions
 Height x Length : 74 X 88 mm



Part #	Description	Std. Pack	UOM	List Price in	Group
IMFF/1	Fan Monitor for 2 fans-230V	1	EA	4655.00	E
IMFF/1-110A	Fan Monitor For 2 Fans-110V	1	EA	5830.00	E
IMFF/2	Fan Monitor for 4 fans-230V	1	EA	6860.00	E
IMFFTD/2	Fan Monitor for 4 fans-230V With Temp Monitor	1	EA	7575.00	E
IMFFTD/2-110A	Fan Monitor for 4 fans-110V With Temp Monitor	1	EA	9455.00	E



Interface & Control Module

Wire Range : 0.2 - 2.5 mm²
 Dimensions
 Height x Length : 90 X 74 mm



Part #	Description	Std. Pack	UOM	List Price in	Group
IMCUS/DO16/24/DM37	CUST MOD 2CO 24DC RLY DO16 DM37 WDC RLMT	1	EA	7600.00	D
IMDB1/11-H	DISTRIBUTION MOD 1 IN 11 OUTx2 HORIZ (IMDB1/11-H)	1	EA	630.00	D
IMDB1/15-H	DISTRIBUTION MOD 1 IN 15 OUTx2 HORIZ (IMDB1/15-H)	1	EA	774.00	D
IMDB1/19-H	DISTRIBUTION MOD 1 IN 19 OUTx2 HORIZ (IMDB1/19-H)	1	EA	950.00	D
IMDB1/31-H	DISTRIBUTION MOD 1 IN 31 OUTx2 HORIZ (IMDB1/31-H)	1	EA	1420.00	D
IMDB1/5-H	DISTRIBUTION MOD 1 IN 5 OUTx2 HORIZ (IMDB1/5-H)	1	EA	421.00	D
IMDB2/12	DISTRIBUTION MOD 2 IN 12 OUT	1	EA	620.00	D
IMDB2/6	DISTRIBUTION MOD 2 IN 6 OUT	1	EA	366.00	D
IMF/4/S	FUSE MODULE WITH 04 FUSE HOLDERS	1	EA	291.00	D
IMF/4/S/24	4CH FUSE MOD 24VAC/DC FU FAIL IND RL MT	1	EA	322.00	D
IMF/8/S/24	8CH FUSE MOD 24VAC/DC FU FAIL IND RL MT	1	EA	567.00	D
IMMR2SS1/230A	2CO 1CH MOD RLY 230~ BASE RAIL MT	1	EA	766.00	E
IMMR2SS1/24	2CO 1CH MOD RLY 24DC BASE RAIL MT	1	EA	567.00	E
IMMR2SS1/24A	2CO 1CH MOD RLY 24~ BASE RAIL MT	1	EA	600.00	E
IMMR4SS1/110A	4CO 1CH MOD RLY 110~ BASE RAIL MT_IMMR4SS1/110A	1	EA	985.00	E
IMMR4SS1/230A	4CO 1CH MOD RLY 230~ BASE RAIL MT	1	EA	913.00	E
IMMR4SS1/24	4CO 1CH MOD RLY 24DC BASE RAIL MT	1	EA	830.00	E
IMMR4SS1/24A	4CO 1CH MOD RLY 24~ BASE RAIL MT	1	EA	1020.00	E
IMOPTR8/24P/24P	8CH OPTO-TRAN +24DC IN & +24DC OUT RL MT	1	EA	2512.00	E
IMOPTRF12/24P/24N	12CH OPT-TRAN +24DC IN / -VE OUT FU RLMT	1	EA	2403.00	E
IMOPTRF12/24P/24P	12CH OPTO-TRAN +24DC IN & OUT FUSE RL MT	1	EA	2580.00	E
IMOPTRF8/24P/24P	8CH OPTO-TRAN +24DC IN & OUT FUSE RL MT	1	EA	2820.00	E
IMRC32/0.22/1K/2W	32CH RC 0.22µF275V R1K OHM 2W RL MNTG	1	EA	2060.00	E
IMRC32/0.22/470	32CH RC 0.22µF275V R470 OHM 1/2W RL MNTG	1	EA	2060.00	E
IMRJ45/1:1/8/HS	RJ45 MOD HORIZ. SHLD AT TWO END RAIL MNT	1	EA	600.00	D
IMRJ45/8/H	8PIN RJ45 MOD HORIZ. RAIL MNT	1	EA	613.00	D
IMRJ45/8/HS	8PIN RJ45 MOD HORIZ. SHELDED RAIL MNT	1	EA	630.00	D
IMRJ45/8/V	8PIN RJ45 MOD VERTICAL RAIL MNT	1	EA	475.00	D
IMRJ45/8/V/6	6CH 8PIN RJ45 MOD VERTICAL RAIL MNT	1	EA	2743.00	D
IMTLM/26/26	26 PIN SPRING TERMINAL DISTRIBUTION MOD	1	EA	1090.00	D
IMTLM/9/9	9 PIN SPRING TERMINAL DISTRIBUTION MOD	1	EA	715.00	D
IMV/14/R/275	VARISTOR MOD 14 CH COMN ANODE 275 VOLT	1	EA	1563.00	D
IMV/9/R/275	VARISTOR MOD 9 CH COMN ANODE 275 VOLT	1	EA	1011.00	D



Interface & Control Module



Part #	Description	Std. Pack	UOM	List Price in	Group
CFTDPR4	FAN MONITOR 4 FAN REDUNDANT + TEMP	1	EA	8185.00	E

Part #	Description	List Price in ₹	Per	UOM	Std. Pack	Group
AGT2.5	2.5 mm ² ANG FEED THRU SP CL GROUNDING TB	87.10	1	EA	100	A
AGT2.5/3	2.5mm ² ANG FD THRU SP CL 3WIRE GROUND TB	128.80	1	EA	100	A
AGT2.5/4	2.5mm ² ANG FD THRU SP CL 4WIRE GROUND TB	138.00	1	EA	100	A
AGT4	4 mm ² ANG FEED THRU SP CL GROUNDING TB	99.00	1	EA	100	A
AGT4/3	4 mm ² ANG FD THRU SP CL 3 WIRE GROUND TB	142.30	1	EA	100	A
AGT4/4	4 mm ² ANG FD THRU SP CL 4 WIRE GROUND TB	152.50	1	EA	100	A
AGT6	6 mm ² ANG FEED THRU SP CL GROUNDING TB	166.80	1	EA	50	A
AGT6/3	6mm ² ANG FEED THRU SP CL 3WIRE GROUND TB	203.30	1	EA	50	A
AS2.5	2.5mm ² ANGULAR FEED THRU SPRING CLAMP TB	13.50	1	EA	100	A
AS2.5/3	2.5mm ² ANGULAR FEED THRU SP CL 3 WIRE TB	30.50	1	EA	100	A
AS2.5/3BK	2.5 mm ² ANG FEED THRU SP CL 3WIRE TB BLK	33.60	1	EA	100	A
AS2.5/3BU	2.5 mm ² ANG FEED THRU SP CL 3WIRE TB BLU	33.60	1	EA	100	A
AS2.5/3O	2.5 mm ² ANG FEED THRU SP CL 3WIRE TB ORG	33.60	1	EA	100	A
AS2.5/3R	2.5 mm ² ANG FEED THRU SP CL 3WIRE TB RED	33.60	1	EA	100	A
AS2.5/3W	2.5 MM ² ANG FEED THRU SP CL 3WIRE TB WHT	33.60	1	EA	100	A
AS2.5/3Y	2.5 mm ² ANG FEED THRU SP CL 3WIRE TB YLW	33.60	1	EA	100	A
AS2.5/4	2.5 mm ² ANG FEED THRU SP CL 4 WIRE TB	33.00	1	EA	100	A
AS2.5/4BK	2.5 mm ² ANG FEED THRU SP CL 4WIRE TB BLK	36.30	1	EA	100	A
AS2.5/4BU	2.5 mm ² ANG FEED THRU SP CL 4WIRE TB BLU	36.30	1	EA	100	A
AS2.5/4GN	2.5 mm ² ANG FEED THRU SP CL 4WIRE TB GRN	36.30	1	EA	100	A
AS2.5/4R	2.5 mm ² ANG FEED THRU SP CL 4WIRE TB RED	36.30	1	EA	100	A
AS2.5/4Y	2.5 mm ² ANG FEED THRU SP CL 4WIRE TB YLW	36.30	1	EA	100	A
AS2.5BK	2.5mm ² ANG FEED THRU SPRING CLAMP TB BLK	14.90	1	EA	100	A
AS2.5BU	2.5mm ² ANG FEED THRU SPRING CLAMP TB BLU	14.90	1	EA	100	A
AS2.5GN	2.5mm ² ANG FEED THRU SPRING CLAMP TB GRN	14.90	1	EA	100	A
AS2.5O	2.5mm ² ANG FEED THRU SPRING CLAMP ORANGE	14.90	1	EA	100	A
AS2.5R	2.5mm ² ANG FEED THRU SPRING CLAMP TB RED	14.90	1	EA	100	A
AS2.5W	2.5mm ² ANG FEED THRU SPRING CLAMP TB WHT	14.90	1	EA	100	A
AS2.5Y	2.5mm ² ANG FEED THRU SPRING CLAMP TB YLW	14.90	1	EA	100	A
AS4	4 mm ² ANGULAR FEED THRU SPRING CLAMP TB	24.00	1	EA	100	A
AS4/3	4 mm ² ANGULAR FEED THRU SP CL 3 WIRE TB	42.00	1	EA	100	A
AS4/3BK	4 mm ² ANG FEED THRU SP CL 3WIRE TB BLACK	46.20	1	EA	100	A
AS4/3BU	4 mm ² ANG FEED THRU SP CL 3 WIRE TB BLU	46.20	1	EA	100	A
AS4/3GN	4 mm ² ANG FEED THRU SP CL 3WIRE TB GREEN	46.20	1	EA	100	A
AS4/3R	4 mm ² ANG FEED THRU SP CL 3 WIRE TB RED	46.20	1	EA	100	A
AS4/3W	4 mm ² ANG FEED THRU SP CL 3WIRE TB WHITE	46.20	1	EA	100	A
AS4/3Y	4mm ² ANG FD THRU SP CL 3 WIRE TB YLW	46.20	1	EA	100	A
AS4/4	4 mm ² ANGULAR FEED THRU SP CL 4 WIRE TB	50.20	1	EA	100	A
AS4/4R	4mm ² ANG FEED THRU SP CL 4 WIRE TB RED	55.20	1	EA	100	A
AS4BK	4mm ² ANG FEED THRU SPRING CLAMP TB BLACK	26.40	1	EA	100	A
AS4BU	4 mm ² ANG FEED THRU SPRING CLAMP TB BLUE	26.40	1	EA	100	A
AS4O	4mm ² ANG FEED THR SPRING CLAMP TB ORANGE	26.40	1	EA	100	A
AS4R	4 mm ² ANG FEED THRU SPRING CLAMP TB RED	26.40	1	EA	100	A
AS4Y	4mm ² ANG FEED THR SPRING CLAMP TB YELLOW	26.40	1	EA	100	A
AS6	6 mm ² ANGULAR FEED THRU SPRING CLAMP TB	42.70	1	EA	50	A
AS6/3	6 mm ² ANGULAR FEED THRU SP CL 3 WIRE TB	94.60	1	EA	50	A
AS6/3BU	6 mm ² ANG FEED THRU SP CL 3 WIRE TB BLUE	104.10	1	EA	50	A
AS6BU	6 mm ² ANG FEED THRU SPRING CLAMP TB BLUE	47.00	1	EA	50	A
AS6R	6 mm ² ANG FEED THRU SPRING CLAMP TB RED	47.00	1	EA	50	A
AS6Y	6mm ² ANG FEED THR SPRING CLAMP TB YELLOW	47.00	1	EA	50	A
AUX6	6 mm ² AUX TB FOR CTS50/70N & CTS95/120N	47.40	1	EA	10	B

Part #	Description	List Price in ₹	Per	UOM	Std. Pack	Group
CA102	POLYAMIDE SCREW END CLAMP FOR DIN35/32	24.40	1	EA	50	B
CA103	POLYAMIDE SCREWLESS END CLAMP FOR DIN35	11.10	1	EA	50	A
CA104	POLYAMIDE SCREWLESS END CLAMP FOR DIN35	13.40	1	EA	50	A
CA202	POLYAMIDE SCREW END CLAMP FOR DIN35	26.00	1	EA	25	B
CA302	STEEL SCREW END CLAMP FOR DIN35	14.30	1	EA	50	B
CA402	STEEL SCREW END CLAMP FOR DIN35-15	14.30	1	EA	50	B
CA501-1M	DIN32 RAIL 1 METER LONG	187.30	1	EA	25	A
CA501-1M-S	DIN32 RAIL SLOTTED 1 METER LONG	203.00	1	EA	25	A
CA501-2M	DIN32 RAIL 2 METER LONG	374.60	1	EA	25	A
CA501-2M-S	DIN32 RAIL SLOTTED 2 METER LONG	405.80	1	EA	25	A
CA502	STEEL SCREW END CLAMP FOR DIN32 RAIL	7.80	1	EA	50	C
CA502/F	MARKER FIXING SCREW FIBER WASHER FR CMST	3.70	1	EA	100	A
CA503/01	2P PERM SHORTING LINK FOR 6mm WIDE TB	4.40	1	EA	100	C
CA503/1	2P PERM SHORTING LINK FOR 6.7mm WIDE TB	4.40	1	EA	100	C
CA503/5	2P PERM SHORTING LINK FOR 18mm WIDE TB	7.00	1	EA	100	C
CA504/01	3P PERM SHORTING LINK FOR 6mm WIDE TB	6.30	1	EA	100	C
CA504/1	3P PERM SHORTING LINK FOR 6.7mm WIDE TB	6.30	1	EA	100	C
CA504/5	3P PERM SHORTING LINK FOR 18mm WIDE TB	10.40	1	EA	100	C
CA505/01	4P PERM SHORTING LINK FOR 6mm WIDE TB	8.50	1	EA	100	C
CA505/1	4P PERM SHORTING LINK FOR 6.7mm WIDE TB	8.50	1	EA	100	C
CA506/1	2P REM SHORTING LINK FOR 6.7mm WIDE TB	4.60	1	EA	100	C
CA507/L/1	LONG SHORTNG STUD FOR 6.7 & 8mm WIDE TB	8.90	1	EA	100	C
CA507/L/2	LONG SHORTNG STUD FOR 10 & 12mm WIDE TB	10.60	1	EA	100	C
CA507/L/Q/01	LONG SLEVE SCRW FR TEMP SHRT 6mm WIDE TB	6.80	1	EA	100	C
CA507/S/1	SHORT SHRTNG STUD FOR 6.7 & 8mm WIDE TB	8.40	1	EA	50	C
CA507/S/2	SHORT SHRTNG STUD FOR 10 & 12mm WIDE TB	9.20	1	EA	50	C
CA507/S/Q/01	SHORT SLVE SCRW FR PERM SHRT 6mm WIDE TB	6.70	1	EA	50	C
CA508/S/Q	SHORT SLV SCRW FR PERM SHRT 18mm WIDE TB	9.00	1	EA	100	C
CA509/K2GWHT	BLANK K-TYPE MARKR FR CDLG/CTLG2.5 WHT	87.60	1	PKT	1	B
CA509/K2GWP	K-TYPE PRNTD MARKR FR CDLG/CTLG2.5 WHT	100.10	1	PKT	1	B
CA509/K7.5WHT	7.5 mm WIDE MARKER BLANK	87.60	1	PKT	1	B
CA509/K7.5WP	7.5 mm WIDE MARKER PRINTED	100.10	1	PKT	1	B
CA510/1	10P PERM SHORTING LINK FOR 6.7mm WIDE TB	21.10	1	EA	100	C
CA510/5	10P PERM SHORTING LINK FOR 18mm WIDE TB	34.50	1	EA	100	C
CA512/1-2	2P REM SHORTING LINK FOR 17mm WIDE TB	22.60	1	EA	100	B
CA512/1-3	3P REM SHORTING LINK FOR 17mm WIDE TB	33.80	1	EA	50	B
CA512/13-2	2P REM SHORTING LINK FOR 11mm WIDE TB	22.60	1	EA	100	B
CA512/13-3	3P REM SHORTING LINK FOR 11mm WIDE TB	33.80	1	EA	50	B
CA512/13-4	4P REM SHORTING LINK FOR 11mm WIDE TB	44.90	1	EA	50	B
CA512/1-4	4P REM SHORTING LINK FOR 17mm WIDE TB	44.90	1	EA	50	B
CA512/14-2	2P PERM SHORTING LINK FOR 11mm WIDE TB	22.60	1	EA	100	B
CA512/14-3	3P PERM SHORTING LINK FOR 11mm WIDE TB	33.80	1	EA	50	B
CA512/14-4	4P PERM SHORTING LINK FOR 11mm WIDE TB	44.90	1	EA	50	B
CA512/15-2	2POLE REM SHORTING LINK FOR 9MM WIDE TB	22.60	1	EA	100	B
CA512/15-3	3POLE REM SHORTING LINK FOR 9MM WIDE TB	33.80	1	EA	50	B
CA512/15-4	4POLE REM SHORTING LINK FOR 9MM WIDE TB	44.90	1	EA	50	B
CA512/17-2	2POLE PERM SHORTING LINK FOR 9mm WIDE TB	22.60	1	EA	100	B
CA512/17-3	3POLE PERM SHORTING LINK FOR 9MM WIDE TB	33.80	1	EA	50	B
CA512/17-4	4POLE PERM SHORTING LINK FOR 9MM WIDE TB	44.90	1	EA	50	B
CA512/2-2	2P REM SHORTING LINK FOR 13mm WIDE TB	22.60	1	EA	100	B
CA512/2-3	3P REM SHORTING LINK FOR 13mm WIDE TB	33.80	1	EA	50	B

Part #	Description	List Price in ₹	Per	UOM	Std. Pack	Group
CA512/2-4	4P REM SHORTING LINK FOR 13mm WIDE TB	44.90	1	EA	50	B
CA512/3-2	2P PERM SHORTING LINK FOR 17mm WIDE TB	22.60	1	EA	100	B
CA512/3-3	3P PERM SHORTING LINK FOR 17mm WIDE TB	33.80	1	EA	50	B
CA512/3-4	4P PERM SHORTING LINK FOR 17mm WIDE TB	44.90	1	EA	50	B
CA512/4-2	2P PERM SHORTING LINK FOR 13mm WIDE TB	22.60	1	EA	100	B
CA512/4-3	3P PERM SHORTING LINK FOR 13mm WIDE TB	33.80	1	EA	50	B
CA512/4-4	4P PERM SHORTING LINK FOR 13mm WIDE TB	44.90	1	EA	50	B
CA512/5-2	2P REM SHORTING LINK FOR 10mm WIDE TB	22.60	1	EA	100	B
CA512/5-3	3P REM SHORTING LINK FOR 10mm WIDE TB	33.80	1	EA	50	B
CA512/5-4	4P REM SHORTING LINK FOR 10mm WIDE TB	44.90	1	EA	50	B
CA512/6-2	2P PERM SHORTING LINK FOR 10mm WIDE TB	22.60	1	EA	100	B
CA512/6-3	3P PERM SHORTING LINK FOR 10mm WIDE TB	33.80	1	EA	50	B
CA512/6-4	4P PERM SHORTING LINK FOR 10mm WIDE TB	44.90	1	EA	50	B
CA512/7-2	2P REM SHORTING LINK FOR 17mm WIDE TB	22.60	1	EA	100	B
CA512/7-3	3P REM SHORTING LINK FOR 17mm WIDE TB	33.80	1	EA	50	B
CA512/7-4	4P REM SHORTING LINK FOR 17mm WIDE T	44.90	1	EA	50	B
CA512/9-2	2P REM SHORTING LINK FOR 15mm WIDE TB	22.60	1	EA	100	B
CA513	2POLE INSU SHORTING LINK FOR CMST1/CMST2	10.90	1	EA	50	A
CA514/1-2	2P INS REM SHRTG LINK FOR 17mm WIDE TB	26.40	1	EA	100	B
CA514/1-3	3P INS REM SHRTG LINK FOR 17mm WIDE TB	39.70	1	EA	50	B
CA514/13-2	2P INS REM SHORTING LNK FR 11mm WIDE TB	26.40	1	EA	100	B
CA514/13-3	3P INS REM SHORTING LNK FR 11mm WIDE TB	39.70	1	EA	50	B
CA514/13-4	4P INS REM SHORTING LNK FR 11mm WIDE TB	52.80	1	EA	50	B
CA514/1-4	4P INS REM SHRTG LINK FOR 17mm WIDE TB	52.80	1	EA	50	B
CA514/14-10	10P INS PERM SHORTING LNK FR 11mm WIDE TB	131.70	1	EA	10	B
CA514/14-2	2P INS PERM SHORTING LNK FR 11mm WIDE TB	26.40	1	EA	100	B
CA514/14-3	3P INS PERM SHORTING LNK FR 11mm WIDE TB	39.70	1	EA	50	B
CA514/14-3A	3P INS ALT PERM SHRT LNK FR 11mm WIDE TB	52.80	1	EA	10	B
CA514/14-4	4P INS PERM SHORTING LNK FR 11mm WIDE TB	52.80	1	EA	50	B
CA514/14-4A	4P INS ALT PERM SHRT LNK FR 11mm WIDE TB	56.20	1	EA	10	B
CA514/15-2	2P INS REM SHRT LINK FR 9mm WIDE TB	26.40	1	EA	100	B
CA514/15-3	3P INS REM SHRT LINK FR 9mm WIDE TB	39.70	1	EA	50	B
CA514/15-4	4P INS REM SHRT LINK FR 9mm WIDE TB	52.80	1	EA	50	B
CA514/17-2	2P INS PERM SHORTING LINK FR 9mm WIDE TB	26.40	1	EA	100	B
CA514/17-3	3P INS PERM SHORTING LINK FR 9mm WIDE TB	39.70	1	EA	50	B
CA514/17-4	4P INS PERM SHRT LINK FR 9mm WIDE TB	52.80	1	EA	50	B
CA514/2-2	2P INS REM SHORTING LNK FR 13mm WIDE TB	26.40	1	EA	100	B
CA514/2-3	3P INS REM SHORTING LNK FR 13mm WIDE TB	39.70	1	EA	50	B
CA514/2-4	4P INS REM SHORTING LNK FR 13mm WIDE TB	52.80	1	EA	50	B
CA514/3-2	2P INS PERM SHRTG LINK FOR 17mm WIDE TB	26.40	1	EA	100	B
CA514/3-3	3P INS PERM SHRTG LINK FOR 17mm WIDE TB	39.70	1	EA	50	B
CA514/3-4	4P INS PERM SHRTG LINK FOR 17mm WIDE TB	52.80	1	EA	50	B
CA514/4-2	2P INS PERM SHORTING LNK FR 13mm WIDE TB	26.40	1	EA	100	B
CA514/4-3	3P INS PERM SHORTING LNK FR 13mm WIDE TB	39.70	1	EA	50	B
CA514/4-4	4P INS PERM SHORTING LNK FR 13mm WIDE TB	52.80	1	EA	50	B
CA514/5-2	2P INS REM SHORTING LNK FR 10mm WIDE TB	26.40	1	EA	100	B
CA514/5-3	3P INS REM SHORTING LNK FR 10mm WIDE TB	39.70	1	EA	50	B
CA514/5-4	4P INS REM SHORTING LNK FR 10mm WIDE TB	52.80	1	EA	50	B
CA514/6-2	2P INS PERM SHORTING LNK FR 10mm WIDE TB	26.40	1	EA	100	B
CA514/6-3	3P INS PERM SHORTING LNK FR 10mm WIDE TB	39.70	1	EA	50	B
CA514/6-4	4P INS PERM SHORTING LNK FR 10mm WIDE TB	52.80	1	EA	50	B

Part #	Description	List Price in ₹	Per	UOM	Std. Pack	Group
CA514/7-2	2P INS REM SHRT LNK FR 17mm WIDE TB	26.40	1	EA	100	B
CA514/7-3	3P INS REM SHORTING LNK FR 17mm WIDE TB	39.70	1	EA	50	B
CA514/7-4	4P INS REM SHRT LNK FR 17mm WIDE TB	52.70	1	EA	50	B
CA514/8-2	2P INS PERM SHORTING LNK FR 17mm WIDE TB	26.40	1	EA	100	B
CA514/8-3	3P INS PERM SHORTING LNK FR 17mm WIDE TB	39.70	1	EA	50	B
CA514/8-4	4P INS PERM SHORTING LNK FR 17mm WIDE TB	52.80	1	EA	50	B
CA514/9-2	2P INS REM SHORTING LNK FR 15mm WIDE TB	26.40	1	EA	100	B
CA515	2 POLE SWITCHABLE LINK KIT FOR CMDT4	29.90	1	EA	50	C
CA521/10	10P PRE ASSEM SHRT LINK FOR 6mm WIDE TB	76.30	1	EA	10	C
CA521/2	2POLE PRE ASSEM SHRT LINK FR 6mm WIDE TB	15.40	1	EA	100	C
CA521/4	4POLE PRE ASSEM SHRT LINK FR 6mm WIDE TB	30.50	1	EA	100	C
CA522/10	10P PRE ASSEM SHRT LINK FR 6.7mm WIDE TB	82.50	1	EA	10	C
CA522/2	2P PRE ASSEM SHRT LINK FR 6.7mm WIDE TB	16.60	1	EA	100	C
CA522/3	3P PRE ASSEM SHRT LINK FOR 6.7mm WIDE TB	24.70	1	EA	100	C
CA522/4	4P PRE ASSEM SHRT LINK FOR 6.7mm WIDE TB	33.00	1	EA	100	C
CA601-1M	DIN15 RAIL 1 METER	89.00	1	EA	100	A
CA602	POLYAMIDE SCREW END CLAMP FOR DIN15	8.10	1	EA	50	B
CA603	STEEL MOUNTING BRACKET ANGULAR	24.60	1	EA	25	B
CA604/1	1.5mm ² HOOK TYPE LUG FR SPRING LOADED TB	11.40	1	EA	100	B
CA604/2	2.5mm ² HOOK TYPE LUG FR SPRING LOADED TB	12.80	1	EA	100	B
CA604/2N	2.5mm ² HOOK TYPE INS LUG FR SP LOADED TB	1416.40	1	PKT	1	B
CA604/5	4 mm ² HOOK TYPE LUG FR SPRING LOADED TB	13.70	1	EA	100	B
CA604/6	35 mm ² RING TYPE LUG	47.30	1	EA	100	B
CA604/7	25 mm ² RING TYPE LUG FR SPRING LOADED TB	38.60	1	EA	100	B
CA607/L/Q	LONG SLV SCREW FOR TEMP SHRT 6mm WIDE TB	7.50	1	EA	100	B
CA607/S/Q	SHORT SLV SCRW FOR PERM SHRT 6mm WIDE TB	6.70	1	EA	100	B
CA621/2	2P INS PRE ASS SHRT LNK FR 6mm WD TB	31.20	1	EA	100	B
CA622/10	10P INS PRE ASS SHT LNK FR 6.7mm WIDE TB	164.60	1	EA	10	B
CA622/2	2P INS PRE ASS SHT LNK FOR 6.7mm WIDE TB	33.00	1	EA	100	B
CA622/3	3P INS PRE ASS SHT LNK FOR 6.7mm WIDE TB	49.50	1	EA	100	B
CA622/4	4P INS PRE ASS SHT LNK FOR 6.7mm WIDE TB	65.90	1	EA	100	B
CA623/10	10P PRE ASSEM SHRT LINK FOR 6mm WIDE TB	73.40	1	EA	10	B
CA623/2	2P PRE ASSEM SHRT LINK FOR 6mm WIDE TB	14.80	1	EA	100	B
CA623/3	3P PRE ASSEM SHRT LINK FOR 6mm WIDE	22.10	1	EA	100	B
CA623/4	4P PRE ASSEM SHRT LINK FOR 6mm WIDE TB	29.50	1	EA	100	B
CA624/10	10P PRE ASSEM SHRT LINK FOR 8mm WIDE TB	82.50	1	EA	10	B
CA624/2	2P PRE ASSEM SHRT LINK FOR 8mm WIDE TB	16.60	1	EA	100	B
CA624/3	3P PRE ASSEM SHRT LINK FOR 8mm WIDE TB	24.70	1	EA	100	B
CA624/4	4P PRE ASSEM SHRT LINK FOR 8mm WIDE TB	33.00	1	EA	100	B
CA625/10	10P PRE ASSEM SHRT LINK FOR 10mm WIDE TB	91.40	1	EA	10	B
CA625/2	2P PRE ASSEM SHRT LINK FOR 10mm WIDE TB	18.50	1	EA	100	B
CA625/3	3P PRE ASSEM SHRT LINK FOR 10mm WIDE TB	27.50	1	EA	100	B
CA625/4	4P PRE ASSEM SHRT LINK FOR 10mm WIDE TB	36.70	1	EA	100	B
CA627/10	10P PRE ASSEM SHRT LINK FOR 6mm WIDE TB	71.90	1	EA	10	B
CA627/2	2P PRE ASSEM SHRT LINK FOR 6mm WIDE TB	14.50	1	EA	100	B
CA627/3	3P PRE ASSEM SHRT LINK FR 6mm WD TB	21.60	1	EA	100	B
CA627/4	4P PRE ASSEM SHRT LINK FOR 6mm WIDE TB	28.80	1	EA	100	B
CA628/2	2 POLE SHORTING LNK SET FOR CTS50/70N	95.80	1	EA	10	B
CA628/3	3 POLE SHORTING LNK SET FOR CTS50/70N	143.70	1	EA	10	B
CA629/2	2 POLE SHORTING LNK SET FOR CTS95/120N	125.70	1	EA	10	B
CA629/3	3 POLE SHORTING LNK SET FOR CTS95/120N	188.40	1	EA	10	B

Part #	Description	List Price in ₹	Per	UOM	Std. Pack	Group
CA644/10	10W INS PRE ASS LNK FR CTS6USC/CHV6U	136.20	1	EA	10	B
CA645/10	10W INS PRE ASS LNK FR CTS10USC	150.40	1	EA	10	B
CA645/2	2W INS PRE ASS LNK FR CTS10USC/CHV10U	30.30	1	EA	10	B
CA701-15-1M	DIN35 X 15mm RAIL 1 METER LONG	196.70	1	EA	25	A
CA701-15-1M-S	DIN35 X 15mm RAIL SLOTTED 1 METER LONG	212.40	1	EA	25	A
CA701-15-2M	DIN35 X 15mm RAIL 2 METER LONG	393.50	1	EA	25	A
CA701-15-2M-S	DIN35 X 15mm RAIL SLOTTED 2 METER LONG	424.60	1	EA	25	A
CA701-1M	DIN35 X 7.5mm RAIL 1 METER LONG	109.20	1	EA	25	A
CA701-1M-S	DIN35 X 7.5mm RAIL SLOTTED 1 METER LONG	124.90	1	EA	50	A
CA701-2M	DIN35 X 7.5mm RAIL 2 METER LONG	218.50	1	EA	25	A
CA701-2M-S	DIN35 X 7.5mm RAIL SLOTTED 2 METER LONG	249.70	1	EA	25	A
CA701-AL-1M	DIN35 ALUMINIUM RAIL 1 METER LONG	390.20	1	EA	50	A
CA702	POLYAMIDE SCREW END CLAMP FOR DIN35/32	12.30	1	EA	50	B
CA702BG	PA SCRWD END CLMP BGE	13.60	1	EA	50	B
CA702BK	PA SCRWD END CLMP BLK	13.60	1	EA	50	B
CA702BU	PA SCRWD END CLMP BLU	13.60	1	EA	50	B
CA703	STEEL MOUNTING BRACKET HOLE M6 HT 1 INCH	19.60	1	EA	25	B
CA703/01	2P PERM SHORTING LINK FOR 5mm WIDE TB	4.60	1	EA	100	B
CA703/1	2P PERM SHORTING LINK FOR 6mm WIDE TB	4.60	1	EA	100	B
CA703/10	2P PERM SHORTING LINK FOR 16mm WIDE TB	8.50	1	EA	100	B
CA703/11	2 POLE SHORTING LINK KIT FOR PTB70/95	98.80	1	EA	10	B
CA703/2	2POLE PERM SHORTING LINK FOR 8mm WIDE TB	4.80	1	EA	100	B
CA703/3	2P PERM SHORTING LINK FOR 10mm WIDE TB	5.80	1	EA	100	B
CA703/4	2P PERM SHORTING LINK FOR 12mm WIDE TB	7.80	1	EA	100	B
CA703/5	2P PERM SHORTING LINK FOR 15mm WIDE TB	7.80	1	EA	100	B
CA703/6	2POLE PERM SHORTING LINK FOR 8mm WIDE TB	4.60	1	EA	100	B
CA703/8	2P PERM SHORTING LINK FOR 12mm WIDE TB	7.80	1	EA	100	B
CA703/9	2 POLE SHORTING LINK KIT FOR PTB35/50	74.80	1	EA	10	B
CA704/01	3POLE PERM SHORTING LINK FOR 5mm WIDE TB	6.90	1	EA	100	B
CA704/1	3POLE PERM SHORTING LINK FOR 6mm WIDE TB	6.90	1	EA	100	B
CA704/10	3POLE PERM SHORTING LINK FR 16mm WIDE TB	12.70	1	EA	100	B
CA704/11	3 POLE SHORTING LINK KIT FOR PTB70/95	148.10	1	EA	10	B
CA704/2	3POLE PERM SHORTING LINK FOR 8mm WIDE TB	7.30	1	EA	100	B
CA704/3	3POLE PERM SHORTING LINK FR 10mm WIDE TB	8.60	1	EA	100	B
CA704/4	3POLE PERM SHORTING LINK FR 12mm WIDE TB	11.70	1	EA	100	B
CA704/5	3POLE PERM SHORTING LINK FR 15mm WIDE TB	11.40	1	EA	100	B
CA704/6	3POLE PERM SHORTING LINK FOR 8mm WIDE TB	6.90	1	EA	100	B
CA704/8	3POLE PERM SHORTING LINK FR 12mm WIDE TB	11.70	1	EA	100	B
CA704/9	3 POLE SHORTING LINK KIT FOR PTB35/50	130.60	1	EA	10	B
CA705/01	4POLE PERM SHORTING LINK FR 5mm WIDE TB	9.00	1	EA	100	B
CA705/1	4POLE PERM SHORTING LINK FR 6mm WIDE TB	9.00	1	EA	100	B
CA705/10	4POLE PERM SHORTING LINK FR 15mm WIDE TB	16.80	1	EA	100	B
CA705/2	4POLE PERM SHORTING LINK FR 8mm WIDE TB	9.70	1	EA	100	B
CA705/3	4POLE PERM SHORTING LINK FR 10mm WIDE TB	11.50	1	EA	100	B
CA705/4	4POLE PERM SHORTING LINK FR 12mm WIDE TB	15.60	1	EA	100	B
CA705/5	4POLE PERM SHORTING LINK FR 15mm WIDE TB	15.10	1	EA	100	B
CA705/6	4POLE PERM SHORTING LINK FOR 8mm WIDE TB	9.00	1	EA	100	B
CA705/8	4POLE PERM SHORTING LINK FR 12mm WIDE TB	15.60	1	EA	100	B
CA706/01	2POLE REM SHORTING LINK FOR 5mm WIDE TB	4.80	1	EA	100	B
CA706/1	2POLE REM SHORTING LINK FOR 6mm WIDE TB	4.80	1	EA	100	B
CA706/2	2POLE REM SHORTING LINK FOR 8mm WIDE TB	4.80	1	EA	100	B

Part #	Description	List Price in ₹	Per	UOM	Std. Pack	Group
CA706/3	2POLE REM SHORTING LINK FOR 10mm WIDE TB	5.80	1	EA	100	B
CA706/8	2POLE REM SHORTING LINK FR 12mm WIDE TB	7.80	1	EA	100	B
CA707/L/Q/01	LONG SLV SCRW FR TEMP SHRT 5&6mm WIDE TB	7.30	1	EA	100	B
CA707/L/Q/1	LONG SLV SCRW FR TEMP SHT 8&10mm WIDE TB	8.30	1	EA	100	B
CA707/L/Q/2	LONG SLV SCRW FOR TEMP SHRT 12mm WIDE TB	12.70	1	EA	100	B
CA707/S/Q/01	SHORT SLV SCRW FR PERM SHT 5&6mm WIDE TB	6.70	1	EA	100	B
CA707/S/Q/1	SHORT SLV SW FR PER SHT 8/10/12mm WID TB	7.30	1	EA	100	B
CA707/S/Q/2	SHORT SLV SW FR PER SHRT 12&16mm WIDE TB	8.50	1	EA	100	B
CA707/TS/01	TEST SOCKET FOR CTS2.5UN/4UN	6.10	1	EA	100	B
CA707/TS/03	TEST SOCKET FOR CMT4	6.10	1	EA	100	B
CA707/TS/05	TEST SOCKET FOR CTS6U/10U	8.50	1	EA	100	B
CA707/TS/06	TEST SOCKET FOR CTS25UN/35UN	13.40	1	EA	100	B
CA710/10	10P INS EXT SHORTING LINK FR 8mm WIDE TB	119.60	1	EA	20	B
CA710/2	2P INS EXT SHORTING LINK FOR 8mm WIDE TB	24.00	1	EA	100	B
CA710/3	3P INS EXT SHORTING LINK FOR 8mm WIDE TB	35.90	1	EA	50	B
CA710/4	4P INS EXT SHORTING LINK FOR 8mm WIDE TB	47.90	1	EA	50	B
CA711/10	10P INS EXT SHORTING LINK FR 8mm WIDE TB	119.60	1	EA	20	B
CA711/2	2P INS EXT SHORTING LINK FOR 8mm WIDE TB	24.00	1	EA	100	B
CA711/3	3P INS EXT SHORTING LINK FOR 8mm WIDE TB	35.90	1	EA	50	B
CA711/4	4P INS EXT SHORTING LINK FOR 8mm WIDE TB	47.90	1	EA	50	B
CA713/10	10W INSU COMB LNK FR CTS4UN/CKT4U	104.80	1	EA	20	B
CA713/2	2P INS EXT SHORTING LINK FOR 6mm WIDE TB	21.10	1	EA	100	B
CA713/3	3P INS EXT SHORTING LINK FOR 6mm WIDE TB	31.60	1	EA	100	B
CA713/4	4P INS EXT SHORTING LINK FOR 6mm WIDE TB	42.00	1	EA	100	B
CA714/10	10P INS EXT SHORTING LINK FR 6mm WIDE TB	104.80	1	EA	20	B
CA714/2	2P INS EXT SHORTING LINK FOR 6mm WIDE TB	21.10	1	EA	100	B
CA714/3	3P INS EXT SHORTING LINK FOR 6mm WIDE TB	31.60	1	EA	100	B
CA714/4	4P INS EXT SHORTING LINK FOR 6mm WIDE TB	42.00	1	EA	100	B
CA715/10	10P INS EXT SHORTING LNK FOR 6mm WIDE TB	104.80	1	EA	20	B
CA715/2	2P INS EXT SHORTING LINK FOR 6mm WIDE TB	21.10	1	EA	100	B
CA715/3	3P INS EXT SHORTING LINK FOR 6mm WIDE TB	31.60	1	EA	100	B
CA715/4	4P INS EXT SHORTING LINK FOR 6mm WIDE TB	42.00	1	EA	100	B
CA716/10	10P INS EXT SHORTING LNK FOR 9mm WIDE TB	119.60	1	EA	20	B
CA716/2	2P INS EXT SHORTING LINK FOR 9mm WIDE TB	24.00	1	EA	50	B
CA716/3	3P INS EXT SHORTING LINK FOR 9mm WIDE TB	35.90	1	EA	50	B
CA716/3-2A	2 WAY INSU COMB LINK FOR CB16	39.80	1	EA	50	B
CA716/4	4P INS EXT SHORTING LINK FOR 9mm WIDE TB	47.90	1	EA	50	B
CA716/5-3A	3 WAY INSU COMB LINK FOR CB16	65.80	1	EA	50	B
CA717/10	10P INS EXT SHORTING LINK FR 5mm WIDE TB	104.80	1	EA	20	B
CA717/2	2P INS EXT SHORTING LINK FR 5mm WIDE TB	21.10	1	EA	100	B
CA717/3	3P INS EXT SHORTING LINK FR 5mm WIDE TB	31.60	1	EA	100	B
CA717/4	4P INS EXT SHORTING LINK FR 5mm WIDE TB	42.00	1	EA	100	B
CA718/10	10P INS EXT SHORTING LNK FR 10mm WIDE TB	139.20	1	EA	20	B
CA718/2	2P INS EXT SHORTING LINK FR 10mm WIDE TB	28.00	1	EA	100	B
CA718/3	3P INS EXT SHORTING LINK FR 10mm WIDE TB	41.80	1	EA	50	B
CA718/4	4P INS EXT SHORTING LINK FR 10mm WIDE TB	55.70	1	EA	50	B
CA721/10	10P PRE ASSEM SHRT LINK FOR 5mm WIDE TB	71.90	1	EA	10	B
CA721/100	100P PRE ASSEM SHRT LNK FOR 5mm WIDE TB	718.00	1	EA	10	B
CA721/2	2P PRE ASSEMBLED SHRT LNK FR 5mm WIDE TB	14.50	1	EA	100	B
CA721/3	3P PRE ASSEMBLED SHRT LNK FR 5mm WIDE TB	21.60	1	EA	100	B
CA721/4	4P PRE ASSEMBLED SHRT LNK FR 5mm WIDE TB	28.80	1	EA	100	B

Part #	Description	List Price in ₹	Per	UOM	Std. Pack	Group
CA722/10	10P PRE ASSEM SHORT LINK FOR 6mm WIDE TB	71.90	1	EA	10	B
CA722/100	100P PRE ASSEM SHRT LINK FOR 6mm WIDE TB	718.00	1	EA	10	B
CA722/10N	10P PRE ASSEMBLD SHRT LNK FR 6mm WIDE TB	119.60	1	EA	10	B
CA722/2	2P PRE ASSEMBLED SHRT LNK FR 6mm WIDE TB	14.50	1	EA	100	B
CA722/2N	2P PRE ASSEMBLED SHRT LNK FR 6mm WIDE TB	24.00	1	EA	100	B
CA722/3	3P PRE ASSEMBLED SHRT LNK FR 6mm WIDE TB	21.60	1	EA	100	B
CA722/3N	3P PRE ASSEMBLED SHRT LNK FR 6mm WIDE TB	35.90	1	EA	100	B
CA722/4	4P PRE ASSEMBLED SHRT LNK FR 6mm WIDE TB	28.80	1	EA	100	B
CA722/4N	4P PRE ASSEMBLED SHRT LNK FR 6mm WIDE	47.90	1	EA	100	B
CA722/5	5W PRE ASS LNK FR CTS4UN	59.90	1	EA	10	B
CA722/6	6W PRE ASS LNK FR CTS4UN & CR4(NPCIL)	68.40	1	EA	10	B
CA723/10	10P PRE ASSEM SHRT LINK FOR 8mm WIDE TB	88.40	1	EA	10	B
CA723/2	2P PRE ASSEM SHRT LINK FOR 8mm WIDE TB	17.70	1	EA	100	B
CA723/3	3P PRE ASSEM SHRT LINK FOR 8mm WIDE TB	26.70	1	EA	50	B
CA723/4	4P PRE ASSEM SHRT LINK FOR 8mm WIDE TB	35.50	1	EA	50	B
CA723/5	5P PRE ASSEM SHRT LINK FOR 8mm WIDE TB	44.90	1	EA	50	B
CA723/6	6P PRE ASSEM SHRT LINK FOR 8mm WIDE TB	58.40	1	EA	50	B
CA723/7	7P PRE ASSEM SHRT LINK FOR 8mm WIDE TB	70.50	1	EA	10	B
CA724/10	10P PRE ASSEM SHRT LINK FOR 10mm WIDE TB	95.80	1	EA	10	B
CA724/2	2P PRE ASSEM SHRT LINK FOR 10mm WIDE TB	19.20	1	EA	100	B
CA724/3	3P PRE ASSEM SHRT LINK FOR 10mm WIDE TB	28.80	1	EA	50	B
CA724/4	4P PRE ASSEM SHRT LINK FOR 10mm WIDE TB	38.50	1	EA	50	B
CA724/6	6W PRE ASS LNK FR CTS10/10U	86.30	1	EA	10	B
CA725/10	10P PRE ASSEM SHRT LINK FOR 12mm WIDE TB	116.70	1	EA	10	B
CA725/2	2P PRE ASSEM SHRT LINK FOR 12mm WIDE TB	23.40	1	EA	50	B
CA725/3	3P PRE ASSEM SHRT LINK FOR 12mm WIDE TB	35.20	1	EA	20	B
CA725/4	4P PRE ASSEM SHRT LINK FOR 12mm WIDE TB	46.80	1	EA	20	B
CA726/10	10P PRE ASSEM SHRT LINK FOR 15mm WIDE	113.70	1	EA	10	B
CA727/10	10P PRE ASSEM SHRT LINK FOR 6mm WIDE TB	71.90	1	EA	10	B
CA727/2	2P PRE ASSEM SHRT LINK FOR 6mm WIDE TB	14.50	1	EA	100	B
CA727/3	3P PRE ASSEM SHRT LINK FOR 6mm WIDE TB	21.60	1	EA	100	B
CA727/4	4P PRE ASSEM SHRT LINK FOR 6mm WIDE TB	28.80	1	EA	100	B
CA727/5	5W PRE ASS LNK FR CMT4/CDL4U/ODL4U	35.90	1	EA	100	B
CA727/6	6W PRE ASS LNK FR CMT4/CDL4U/ODL4U	59.90	1	EA	10	B
CA728/10	10P PRE ASSEM SHRT LINK FOR 9mm WIDE TB	80.80	1	EA	10	B
CA728/2	2P PRE ASSEM SHRT LINK FOR 9mm WIDE TB	16.30	1	EA	50	B
CA728/3	3P PRE ASSEM SHRT LINK FOR 9mm WIDE TB	24.40	1	EA	50	B
CA728/4	4P PRE ASSEM SHRT LINK FOR 9mm WIDE TB	32.40	1	EA	50	B
CA729/10	10P PRE ASSEM SHRT LINK FOR 8mm WIDE TB	80.80	1	EA	10	B
CA729/2	2P PRE ASSEM SHRT LINK FOR 8mm WIDE TB	16.30	1	EA	100	B
CA729/3	3P PRE ASSEM SHRT LINK FOR 8mm WIDE TB	24.40	1	EA	50	B
CA729/4	4P PRE ASSEMBLED SHRT LNK FR 8mm WIDE TB	32.40	1	EA	50	B
CA731/10	10P PERM SHORTING LINK FOR 5mm WIDE TB	22.60	1	EA	100	B
CA731/100	100P PERM SHRTNG LINK BRK FR 5mm WIDE TB	224.50	1	EA	10	B
CA732/10	10P PERM SHORTING LINK FOR 6mm WIDE TB	22.60	1	EA	100	B
CA732/100	100P PERM SHRTNG LINK BRK FR 6mm WIDE TB	224.50	1	EA	10	B
CA732/10-A	10W PRM SHRT LNK FR CTS4UN (BRK)	22.60	1	EA	100	B
CA733/10	10P PERM SHORTING LINK FOR 6mm WIDE TB	24.00	1	EA	100	B
CA734/10	10P PERM SHORTING LNK FOR 10mm WIDE TB	28.50	1	EA	100	B
CA735/10	10P PERM SHORTING LNK FOR 12mm WIDE TB	38.90	1	EA	100	B
CA736/10	10P PERM SHORTING LNK FOR 15mm WIDE TB	44.90	1	EA	100	B

Part #	Description	List Price in ₹	Per	UOM	Std. Pack	Group
CA737/10	10P PERM SHORTING LINK FOR 8mm WIDE TB	22.60	1	EA	100	B
CA739/10	10P PERM SHORTING LINK FOR 12mm WIDE TB	38.90	1	EA	100	B
CA741/10	10P INS PRE ASSEM SHRT LINK FR5mm WIDE TB	142.20	1	EA	10	B
CA741/100	100P INS PRE ASSEM SHRT LNK FR5mm WIDE TB	1421.20	1	EA	10	B
CA741/2	2P INS PRE ASSEM SHRT LINK FR5mm WIDE TB	28.50	1	EA	100	B
CA741/3	3P INS PRE ASSEM SHRT LINK FR5mm WIDE TB	42.70	1	EA	100	B
CA741/4	4P INS PRE ASSEM SHRT LINK FR5mm WIDE TB	56.90	1	EA	100	B
CA742/10	10P INS PREASSEM SHRT LINK FR6mm WIDE TB	142.20	1	EA	10	B
CA742/100	100P INS PREASSEM SHRT LNK FR6mm WIDE TB	1421.20	1	EA	10	B
CA742/15	15W INSU PRE ASS LNK FR CTS4UN	213.20	1	EA	10	B
CA742/2	2P INS PREASSEM SHRT LINK FR 6mm WIDE TB	28.50	1	EA	100	B
CA742/3	3P INS PREASSEM SHRT LINK FR 6mm WIDE TB	42.70	1	EA	100	B
CA742/4	4P INS PREASSEM SHRT LINK FR 6mm WIDE TB	56.90	1	EA	100	B
CA743/10	10P INS PREASSEM SHRT LINK FR8mm WIDE TB	149.60	1	EA	10	B
CA743/2	2P INS PREASSEM SHRT LINK FR 8mm WIDE TB	29.90	1	EA	100	B
CA743/3	3P INS PREASSEM SHRT LINK FR 8mm WIDE TB	44.90	1	EA	50	B
CA743/4	4P INS PREASSEM SHRT LINK FR 8mm WIDE TB	59.90	1	EA	50	B
CA744/10	10P INS PREASSEM SHRT LNK FR10mm WIDE TB	155.70	1	EA	10	B
CA744/2	2P INS PREASSEM SHRT LINK FR10mm WIDE TB	31.20	1	EA	100	B
CA744/3	3P INS PREASSEM SHRT LINK FR10mm WIDE TB	46.80	1	EA	50	B
CA744/4	4P INS PREASSEM SHRT LINK FR10mm WIDE TB	62.40	1	EA	50	B
CA745/10	10P INS PREASSEM SHRT LNK FR12mm WIDE TB	211.10	1	EA	10	B
CA745/2	2P INS PREASSEM SHRT LINK FR12mm WIDE TB	42.40	1	EA	50	B
CA745/3	3P INS PREASSEM SHRT LINK FR12mm WIDE TB	63.40	1	EA	20	B
CA745/4	4P INS PREASSEM SHRT LINK FR12mm WIDE TB	84.40	1	EA	20	B
CA746/10	10P INS PREASSEM SHRT LNK FR15mm WIDE TB	212.50	1	EA	10	B
CA747/10	10P INS PREASSEM SHRT LINK FR6mm WIDE TB	142.20	1	EA	10	B
CA747/2	2P INS PREASSEM SHRT LINK FR 6mm WIDE TB	28.50	1	EA	100	B
CA747/3	3P INS PREASSEM SHRT LINK FR 6mm WIDE TB	42.70	1	EA	100	B
CA747/4	4P INS PREASSEM SHRT LINK FR 6mm WIDE TB	56.90	1	EA	100	B
CA749/10	10P INS PREASSEM SHRT LINK FR8mm WIDE TB	149.60	1	EA	10	B
CA749/2	2P INS PREASSEM SHRT LINK FR 8mm WIDE TB	29.90	1	EA	100	B
CA749/3	3P INS PREASSEM SHRT LINK FR 8mm WIDE TB	44.90	1	EA	50	B
CA749/4	4P INS PREASSEM SHRT LINK FR 8mm WIDE TB	59.90	1	EA	50	B
CA751/10	10P PRE ASSEM SHRT LINK FOR 12mm WIDE TB	104.80	1	EA	10	B
CA751/2	2P PRE ASSEM SHRT LINK FOR 12mm WIDE TB	21.10	1	EA	50	B
CA751/3	3P PRE ASSEM SHRT LINK FOR 12mm WIDE TB	31.60	1	EA	50	B
CA751/4	4P PRE ASSEM SHRT LINK FOR 12mm WIDE TB	42.00	1	EA	50	B
CA761/10	10P INS PREASSEM SHRT LNK FR12mm WIDE TB	211.10	1	EA	10	B
CA761/2	2P INS PREASSEM SHRT LINK FR12mm WIDE TB	42.40	1	EA	50	B
CA761/3	3P INS PREASSEM SHRT LINK FR12mm WIDE TB	63.40	1	EA	50	B
CA761/4	4P INS PREASSEM SHRT LINK FR12mm WIDE TB	84.40	1	EA	50	B
CA770/10	10W PERM SHRT LINK FR CTS35UN	49.50	1	EA	10	B
CA771/10	10P PRE ASSEM SHRT LNK FR 16mm WIDE TB	119.60	1	EA	10	B
CA771/2	2P PRE ASSEM SHRT LINK FR 16mm WIDE TB	24.00	1	EA	50	B
CA771/3	3P PRE ASSEM SHRT LINK FR 16mm WIDE TB	35.90	1	EA	20	B
CA771/4	4P PRE ASSEM SHRT LINK FR 16mm WIDE TB	47.90	1	EA	20	B
CA772/10	10P PRE ASSEM SHRT LINK FR 13mm WIDE TB	103.30	1	EA	10	B
CA772/2	2P PRE ASSEM SHRT LINK FR 13mm WD TB	20.70	1	EA	100	B
CA772/3	3P PRE ASSEM SHRT LINK FR 13mm WD TB	31.10	1	EA	50	B
CA772/4	4P PRE ASSEM SHRT LINK FR 13mm WD TB	41.40	1	EA	50	B

Part #	Description	List Price in ₹	Per	UOM	Std. Pack	Group
CA773/10	10P PRE ASSEM SHRT LINK FR 9mm WD TB	89.80	1	EA	10	B
CA773/2	2P PRE ASSEM SHRT LINK FOR 9mm WIDE TB	18.00	1	EA	100	B
CA773/3	3P PRE ASSEM SHRT LINK FOR 9mm WIDE TB	27.00	1	EA	50	B
CA773/4	4P PRE ASSEM SHRT LINK FOR 9mm WIDE TB	35.90	1	EA	50	B
CA774/2	2P PRE ASSEM SHRT LINK FR 18mm WD TB	31.40	1	EA	100	B
CA774/3	3P PRE ASSEM SHRT LINK FR 18mm WD TB	40.50	1	EA	50	B
CA774/4	4P PRE ASSEM SHRT LINK FR 18mm WD TB	62.80	1	EA	50	B
CA775/10	10P PRE ASSEM SHRT LNK FOR 13mm WIDE TB	104.80	1	EA	10	B
CA775/2	2P PRE ASSEM SHRT LINK FOR 13mm WIDE TB	21.10	1	EA	100	B
CA775/3	3P PRE ASSEM SHRT LINK FOR 13mm WIDE TB	31.60	1	EA	50	B
CA775/4	4P PRE ASSEM SHRT LINK FOR 13mm WIDE TB	42.00	1	EA	50	B
CA776/10	10P PRE ASSEM SHRT LINK FR 11mm WD TB	98.80	1	EA	50	B
CA776/8	8P PRE ASSEM SHRT LINK FR 11mm WD TB	79.10	1	EA	50	B
CA781/10	10P INS PREASSEM SHRT LNK FR16mm WIDE TB	211.10	1	EA	10	B
CA781/2	2P INS PREASSEM SHRT LINK FR16mm WIDE TB	42.40	1	EA	50	B
CA781/3	3P INS PREASSEM SHRT LINK FR16mm WIDE TB	63.40	1	EA	20	B
CA781/4	4P INS PRE ASS SHRT LNK FR 16mm WIDE TB	84.40	1	EA	20	B
CA790/2	2 POLE SHORTING LINK FOR CBB35/50	59.90	1	EA	10	B
CA790/3	3 POLE SHORTING LINK FOR CBB35/50	85.40	1	EA	10	B
CA791/2	2 POLE SHORTING LINK FOR CBB70/CBB95	119.60	1	EA	10	B
CA791/3	3 POLE SHORTING LINK FOR CBB70/CBB95	179.50	1	EA	10	B
CA793/2	2 POLE SHORTING LINK FOR CBB120	134.70	1	EA	10	B
CA793/3	3 POLE SHORTING LINK FOR CBB120	202.10	1	EA	10	B
CA794/2	2W SHRT LNK FR CBB150 / CBB185	134.70	1	EA	10	B
CA794/3	3W SHRT LNK FR CBB150 / CBB185	202.10	1	EA	10	B
CA796/2	2W PERM SHRT LNK FR CTS35L	67.40	1	EA	10	B
CA801/1	2P SHRT LINK FR AS2.5 SERIES	13.70	1	EA	100	A
CA801/1-3	2P ALT SHRT LINK FOR AS2.5 SERIES	27.00	1	EA	100	A
CA801/2	2P SHRT LINK FOR AS4 SERIES	25.60	1	EA	100	A
CA801/2-3	2P ALT SHRT LINK FOR AS4 SERIES	38.90	1	EA	100	A
CA801/3	2P SHRT LINK FOR AS6 SERIES	35.90	1	EA	100	A
CA801/3-3	2POLE ALT SHRT LINK FR 8mm WIDE SP CL TB	47.90	1	EA	100	A
CA801/4	2P SHRT LINK FR 10mm WIDE SPRNG CLAMP TB	54.00	1	EA	100	A
CA801/5	2P SHRT LINK FR 16mm WIDE SPRNG CLAMP TB	71.90	1	EA	100	A
CA801/7	2P SHRT LINK FR 8mm WIDE SPRNG CLAMP TB	24.00	1	EA	100	A
CA801/A10	10P SHRT LINK FR 5mm WIDE SPRNG CLAMP TB	246.90	1	EA	10	A
CA801/A2	2P SHRT LINK FR 5mm WIDE SPRING CLAMP TB	49.50	1	EA	100	A
CA801/A20	20P SHRT LINK FR 5mm WIDE SPRNG CLAMP TB	493.60	1	EA	10	A
CA801/A3	3P SHRT LINK FR 5mm WIDE SPRING CLAMP	74.20	1	EA	100	A
CA801/A4	4P SHRT LINK FR 5mm WIDE SPRING CLAMP TB	98.80	1	EA	100	A
CA802	POLYAMIDE SCREW END CLAMP FOR DIN35 RAIL	13.40	1	EA	50	B
CA802BG	POLYAMIDE SCREW END CLAMP DIN35 RAIL BGE	14.80	1	EA	50	B
CA802BK	POLYAMIDE SCREW END CLAMP DIN35 RAIL BLK	14.80	1	EA	50	B
CA802BU	PA SCRWD END CLAMP BLU FOR DIN35 RAIL	14.80	1	EA	50	B
CA803	STEEL MOUNTING BRACKET HOLE M6 HT 2 INCH	24.00	1	EA	25	B
CA803(M5)	MS MNTG BRCKT SUITABLE FR ALL RAILS	24.00	1	EA	25	B
CA803/1	2P INS EXT SHRT LNK FR 5mm WIDE SP CL TB	8.40	1	EA	100	A
CA901/1	2P WIRE SHRT LINK FOR 5mm WIDE SP CL TB	76.40	1	EA	100	A
CA901/2	2P WIRE SHRT LINK FOR 6mm WIDE SP CL TB	91.40	1	EA	100	A
CA901/3	2P WIRE SHRT LINK FOR 8mm WIDE SP CL TB	119.60	1	EA	100	A
CA901/4	2P STEPDOWN SHRT LNK FR 8 TO 6mm SP CL TB	101.80	1	EA	100	A

Part #	Description	List Price in ₹	Per	UOM	Std. Pack	Group
CA901/5	2P STEPDWN SHRT LNK FR 8 TO 5mm SP CL TB	101.80	1	EA	100	A
CA903	STEEL MOUNTING BRACKET HOLE M6 HT 3 INCH	29.90	1	EA	25	B
CAFL4U	4mm ² Ø6X32mm 6.3A FUSE SCRW CL TERMINAL	86.20	1	EA	25	B
CAFL4UL110V	4mm ² Ø6X32mm 6.3A FUSE SCRW CLMP TB 110V	112.00	1	EA	25	B
CAFL4UL110VRW/F	4mm ² Ø6X32mm FUSE SCREW CLAMP 110V RED	112.20	1	EA	25	B
CAFL4UL110VW/F	4mm ² Ø6X32mm FUSE SCREW CLAMP TB 110V	112.20	1	EA	25	B
CAFL4UL220V	4mm ² Ø6X32mm 6.3A FUSE SCRW CLMP TB 220V	112.20	1	EA	25	B
CAFL4UL220V2A	4mm ² Ø6X32mm 2A FUSE SCRW CLMP TB 220V	112.10	1	EA	25	B
CAFL4UL220VW/F	4mm ² Ø6X32mm FUSE SCREW CLAMP TB 220V	112.20	1	EA	25	B
CAFL4UL24V	4mm ² Ø6X32mm 6.3A FUSE SCRW CLMP TB 24V	112.00	1	EA	25	B
CAFL4UL24V5A	SL4 SQ PA 5A FU (1/4"X1 1/4")TB GRY(LED)	112.10	1	EA	25	B
CAFL4UL24VW/F	4mm ² Ø6X32mm FUSE SCREW CLAMP TB 24V	112.20	1	EA	25	B
CAFL4UL440V	4mm ² Ø6X32mm 6.3A FUSE SCRW CLMP TB 440V	112.20	1	EA	25	B
CAFL4UL48V	4mm ² Ø6X32mm 6.3A FUSE SCRW CLMP TB 48V	112.00	1	EA	25	B
CAFL4UL48VW/F	4mm ² Ø6X32mm FUSE SCREW CLAMP TB 48V	112.20	1	EA	25	B
CAFL4UN110VW/F	4mm ² Ø6X32mm FUSE NEON SCREW CL TB 110V	112.20	1	EA	25	B
CAFL4UN220V	4mm ² Ø6X32mm 6.3A FUSE NEON SWCL TB 220V	112.20	1	EA	25	B
CAFL4UR	4mm ² Ø6X32mm 6.3A FUSE SCREW CL TB ORG	94.80	1	EA	25	B
CAFL4UW/F	4mm ² Ø6X32mm FUSE SCREW CLAMP TERMINAL	77.50	1	EA	25	B
CASP	POLYAMIDE SPACER BLACK	6.60	1	EA	50	B
CB16/2H	10 mm ² 2 POLE WITH MOUNT HOLE CERAMIC TB	105.80	1	EA	50	A
CB16/3H	10 mm ² 3 POLE WITH MOUNT HOLE CERAMIC TB	158.60	1	EA	50	A
CB25/2H	25 mm ² 2 POLE WITH MOUNT HOLE CERAMIC TB	160.00	1	EA	10	A
CB25/3H	25 mm ² 3 POLE WITH MOUNT HOLE CERAMIC TB	243.50	1	EA	10	A
CB4/1	2.5 mm ² 1 POLE FLOATING TYPE CERAMIC TB	31.80	1	EA	50	A
CB4/2	2.5 MM ² 2 POLE FLOATING TYPE CERAMIC TB	58.40	1	EA	100	A
CB4/2H	2.5MM ² 2 POLE WITH MOUNT HOLE CERAMIC TB	63.50	1	EA	50	A
CB4/3	2.5 MM ² 3 POLE FLOATING TYPE CERAMIC TB	83.50	1	EA	50	A
CB4/3H	2.5mm ² 3 POLE WITH MOUNT HOLE CERAMIC TB	95.30	1	EA	50	A
CB6/1	4 mm ² 1 POLE FLOATING TYPE CERAMIC TB	38.50	1	EA	50	A
CB6/2H	6 mm ² 2 POLE WITH MOUNT HOLE CERAMIC TB	77.00	1	EA	50	A
CB6/3H	6 mm ² 3 POLE WITH MOUNT HOLE CERAMIC TB	115.50	1	EA	50	A
CB6/4H	6 mm ² 4 POLE WITH MOUNT HOLE CERAMIC TB	142.00	1	EA	50	A
CBB120	120 mm ² FD THRU BOLT/NUT TERMINAL BLOCK	428.80	1	EA	10	B
CBB120BK	120 mm ² FEED THRU BOLT/NUT TB BLACK	471.70	1	EA	10	B
CBB120BU	120 mm ² FEED THRU BOLT/NUT TB BLUE	471.70	1	EA	10	B
CBB120GN	120 mm ² FEED THRU BOLT/NUT TB GREEN	471.70	1	EA	10	B
CBB120LS	120 mm ² FEED THRU SLOTTED BOLT TERMINAL	428.80	1	EA	10	B
CBB120LSBK	120 mm ² FEED THRU SLOTTED BOLT TB BLACK	471.70	1	EA	10	B
CBB120LSR	120 mm ² FEED THRU SLOTTED BOLT TB RED	471.70	1	EA	10	B
CBB120R	120 mm ² FEED THRU BOLT/NUT TB RED	471.70	1	EA	10	B
CBB120Y	120 mm ² FEED THRU BOLT/NUT TB YELLOW	471.70	1	EA	10	B
CBB150	150 mm ² FD THRU BOLT/NUT TERMINAL BLOCK	531.50	1	EA	10	B
CBB150BK	150 mm ² FEED THRU BOLT/NUT TB BLACK	584.70	1	EA	10	B
CBB150BU	150 mm ² FEED THRU BOLT/NUT TB BLUE	584.70	1	EA	10	B
CBB150LS	150 mm ² FEED THRU SLOTTED BOLT TERMINAL	531.50	1	EA	10	B
CBB150R	150 mm ² FEED THRU BOLT/NUT TB RED	584.70	1	EA	10	B
CBB150Y	150 mm ² FEED THRU BOLT/NUT Tb YELLOW	584.70	1	EA	10	B
CBB185	185 mm ² FD THRU BOLT/NUT TERMINAL BLOCK	698.80	1	EA	10	B
CBB185BK	185 mm ² FEED THRU BOLT/NUT TB BLACK	768.70	1	EA	10	B
CBB185BU	185 mm ² FEED THRU BOLT/NUT TB BLUE	768.70	1	EA	10	B

Part #	Description	List Price in ₹	Per	UOM	Std. Pack	Group
CBB185GN	185 mm ² FEED THRU BOLT/NUT TB GREEN	768.70	1	EA	10	B
CBB185LS	185 mm ² FEED THRU SLOTTED BOLT TERMINAL	698.80	1	EA	10	B
CBB185LSBK	185 mm ² FEED THRU SLOTTED BOLT TB BLACK	768.70	1	EA	10	B
CBB185LSR	185 mm ² FEED THRU SLOTTED BOLT TB RED	768.70	1	EA	10	B
CBB185R	185 mm ² FEED THRU BOLT/NUT TB RED	768.70	1	EA	10	B
CBB185Y	185 mm ² FEED THRU BOLT/NUT TB YELLOW	768.70	1	EA	10	B
CBB35/50	50 mm ² FD THRU BOLT/NUT TERMINAL BLOCK	152.70	1	EA	10	B
CBB35/50BK	50 mm ² FEED THRU BOLT/NUT TB BLACK	168.00	1	EA	10	B
CBB35/50BU	50 mm ² FEED THRU BOLT/NUT TB BLUE	168.00	1	EA	10	B
CBB35/50GN	50 mm ² FEED THRU BOLT/NUT TB GREEN	168.00	1	EA	10	B
CBB35/50LS	50 mm ² FEED THRU SLOTTED BOLT TERMINAL	152.70	1	EA	10	B
CBB35/50LSBK	50 mm ² FEED THRU SLOTTED BOLT TB BLACK	168.00	1	EA	10	B
CBB35/50LSBU	50 mm ² FEED THRU SLOTTED BOLT TB BLUE	168.00	1	EA	10	B
CBB35/50LSR	50 mm ² FEED THRU SLOTTED BOLT TB RED	168.00	1	EA	10	B
CBB35/50LSY	50 mm ² FEED THRU SLOTTED BOLT TB YELLOW	168.00	1	EA	10	B
CBB35/50R	50 mm ² FEED THRU BOLT/NUT TB RED	168.00	1	EA	10	B
CBB35/50Y	50 mm ² FEED THRU BOLT/NUT TB YELLOW	168.00	1	EA	10	B
CBB70	70 mm ² FD THRU BOLT/NUT TERMINAL BLOCK	306.40	1	EA	10	B
CBB70BK	70 mm ² FEED THRU BOLT/NUT TB BLACK	337.00	1	EA	10	B
CBB70BU	70 mm ² FEED THRU BOLT/NUT TB BLUE	337.00	1	EA	10	B
CBB70GN	70 mm ² FEED THRU BOLT/NUT TB GREEN	337.00	1	EA	10	B
CBB70LS	70 mm ² FEED THRU SLOTTED BOLT TERMINAL	306.40	1	EA	10	B
CBB70LSBK	70 mm ² FEED THRU SLOTTED BOLT TB BLACK	337.00	1	EA	10	B
CBB70LSBU	70 mm ² FEED THRU SLOTTED BOLT TB BLUE	337.00	1	EA	10	B
CBB70LSR	70 mm ² FEED THRU SLOTTED BOLT TB RED	337.00	1	EA	10	B
CBB70LSY	70 mm ² FEED THRU SLOTTED BOLT TB YELLOW	337.00	1	EA	10	B
CBB70R	70 mm ² FEED THRU BOLT/NUT TB RED	337.00	1	EA	10	B
CBB70Y	70 mm ² FEED THRU BOLT/NUT TB YELLOW	337.00	1	EA	10	B
CBB95	95 mm ² FD THRU BOLT/NUT TERMINAL BLOCK	315.00	1	EA	10	B
CBB95BK	95 mm ² FEED THRU BOLT/NUT TB BLACK	346.50	1	EA	10	B
CBB95BU	95 mm ² FEED THRU BOLT/NUT TB BLUE	346.50	1	EA	10	B
CBB95GN	95 mm ² FEED THRU BOLT/NUT TB GREEN	346.50	1	EA	10	B
CBB95LS	95 mm ² FEED THRU SLOTTED BOLT TERMINAL	315.00	1	EA	10	B
CBB95LSBU	95 mm ² FEED THRU SLOTTED BOLT TB BLU	346.50	1	EA	10	B
CBB95LSR	95 mm ² FEED THRU SLOTTED BOLT TB RED	346.50	1	EA	10	B
CBB95LSY	95 mm ² FEED THRU SLOTTED BOLT TB YLW	346.50	1	EA	10	B
CBB95R	95 mm ² FEED THRU BOLT/NUT TB RED	346.50	1	EA	10	B
CBB95Y	95 mm ² FEED THRU BOLT/NUT TB YELLOW	346.50	1	EA	10	B
CBBPC1/100	PROTECT COVR FR CBB35/50/70/95 100mm LNG	118.30	1	EA	10	B
CBBPC1/130	PROTECT COVR FR CBB35/50/70/95 130mm LNG	157.10	1	EA	10	B
CBBPC1/160	PROTECT COVR FR CBB35/50/70/95 160mm LNG	181.10	1	EA	10	B
CBBPC1/200	PROT CVR FR CBB35/50/70/95 200mm LNG	220.10	1	EA	10	B
CBBPC1/250	PROT CVR FR CBB35/50/70/95 250mm LNG	258.80	1	EA	10	B
CBBPC1/70	PROTECT COVR FR CBB35/50/70/95 70mm LNG	101.80	1	EA	10	B
CBBPC1/80	PROTECT COVR FR CBB35/50/70/95 80mm LNG	110.70	1	EA	10	B
CBBPC2/100	PROTECT COVR FR CBB120/150/185 100mm LNG	136.20	1	EA	10	B
CBBPC2/160	PROT CVR FR CBB120/150/185 160mm LNG	200.50	1	EA	10	B
CBBPC2/200	PROTECT COVR FR CBB120/150/185 200mm	246.80	1	EA	10	B
CBBPC2/250	PROTECT COVR FR CBB120/150/185 250mm LNG	293.30	1	EA	10	B
CBDT4U	6 mm ² M4 STUD SLIDE LINK DISCONNECT TB	82.50	1	EA	50	B
CBDT4UBK	6 mm ² M4 STUD SLIDE LNK DISCONNECT TB BLK	90.80	1	EA	50	B

Part #	Description	List Price in ₹	Per	UOM	Std. Pack	Group
CBDT4UBU	6 mm ² M4 STUD SLIDE LNK DISCONNECT TB BLU	90.80	1	EA	50	B
CBDT4UGN	6 mm ² M4 STUD SLIDE LNK DISCONNECT TB GRN	90.80	1	EA	50	B
CBDT4UN	6 mm ² M4 BR STUD SLIDE LINK DISCONNECT TB	69.70	1	EA	50	B
CBDT4UNS	6mm ² M4 BR STUD SLIDE LNK DISC SOC HD NUT	64.50	1	EA	50	B
CBDT4UNSE	6mm ² M4 STL STUD SLID LNK DISC SOC HD NUT	68.20	1	EA	50	B
CBDT4UR	6 mm ² M4 STUD SLIDE LNK DISCONNECT TB RED	90.80	1	EA	50	B
CBDT4UY	6 mm ² M4 STUD SLIDE LNK DISCONNECT TB YLW	90.80	1	EA	50	B
CBS3U	6 mm ² M3 SCREW BARRIER TYPE TERMINAL	25.20	1	EA	100	B
CBS3UBK	6 mm ² M3 SCREW BARRIER TYPE TB BLACK	27.70	1	EA	100	B
CBS3UBU	6 mm ² M3 SCREW BARRIER TYPE TB BLUE	27.70	1	EA	100	B
CBS3UGN	6 mm ² M3 SCREW BARRIER TYPE TB GREEN	27.70	1	EA	100	B
CBS3UR	6 mm ² M3 SCREW BARRIER TYPE TB RED	27.70	1	EA	100	B
CBS3UY	6 mm ² M3 SCREW BARRIER TYPE TB YELLOW	27.70	1	EA	100	B
CBS4U	10 mm ² M4 SCREW BARRIER TYPE TERMINAL	28.50	1	EA	100	B
CBS4UBK	10 mm ² M4 SCREW BARRIER TYPE TB BLACK	31.40	1	EA	100	B
CBS4UBU	10 mm ² M4 SCREW BARRIER TYPE TB BLUE	31.40	1	EA	100	B
CBS4UR	10 mm ² M4 SCREW BARRIER TYPE TB RED	31.40	1	EA	100	B
CBS4UY	10 mm ² M4 SCREW BARRIER TYPE TB YELLOW	31.40	1	EA	100	B
CBS5U	16 mm ² M4 SCREW BARRIER TYPE TERMINAL	34.80	1	EA	100	B
CBS5UBU	16 mm ² M4 SCREW BARRIER TYPE TB BLUE	38.30	1	EA	100	B
CBS5UR	16 mm ² M4 SCREW BARRIER TYPE TB RED	38.30	1	EA	100	B
CBS5UY	16 mm ² M4 SCREW BARRIER TYPE TB YELLOW	38.30	1	EA	100	B
CC6F	FUSE PLUG FOR CPCC6 TB	115.00	1	EA	50	A
CC6FL110-240V	FUSE PLUG (110-240V) FOR CPCC6 TB	164.00	1	EA	50	A
CC6FL6-60V	FUSE PLUG (6-60V) FOR CPCC6 TB	164.00	1	EA	50	A
CCC4U	4mm ² COMPONENT CARRIER SCREW CLAMP TB	87.80	1	EA	50	B
CDB10/1	1X35mm ² I/P 4X10mm ² O/P DISTR BLOCK	192.50	1	EA	10	B
CDB10/1BK	1X35mm ² I/P 4X10mm ² O/P DISTR BLOCK BLK	211.80	1	EA	10	B
CDB10/1BU	1X35mm ² I/P 4X10mm ² O/P DB BLU	211.80	1	EA	10	B
CDB10/1R	1X35mm ² I/P 4X10mm ² O/P DISTR BLOCK RED	211.80	1	EA	10	B
CDB10/1Y	1X35mm ² I/P 4X10mm ² O/P DB YLW	211.80	1	EA	10	B
CDB10/2	1X35mm ² I/P 8X10mm ² O/P DISTR BLOCK	250.50	1	EA	10	B
CDB10/2BK	1X35mm ² I/P 8X10mm ² O/P DISTR BLOCK BLK	275.60	1	EA	10	B
CDB10/2BU	1X35mm ² I/P 8X10mm ² O/P DISTR BLOCK BLU	275.60	1	EA	10	B
CDB10/2GN	1X35mm ² I/P 8X10mm ² O/P DISTR BLOCK GRN	275.60	1	EA	10	B
CDB10/2R	1X35mm ² I/P 8X10mm ² O/P DISTR BLOCK RED	275.60	1	EA	10	B
CDB10/2Y	1X35mm ² I/P 8X10mm ² O/P DISTR BLOCK YLW	275.60	1	EA	10	B
CDB10/3	1X35mm ² I/P 12X10mm ² O/P DISTR BLOCK	309.90	1	EA	5	B
CDB10/3BK	1X35mm ² I/P 12X10mm ² O/P DISTR BLOCK BLK	340.90	1	EA	5	B
CDB10/3BU	1X35mm ² I/P 12X10mm ² O/P DISTR BLOCK BLU	340.90	1	EA	5	B
CDB10/3GN	1X35mm ² I/P 12X10mm ² O/P DISTR BLOCK GRN	340.90	1	EA	5	B
CDB10/3R	1X35mm ² I/P 12X10mm ² O/P DISTR BLOCK RED	340.90	1	EA	5	B
CDB10/3Y	1X35mm ² I/P 12X10mm ² O/P DISTR BLOCK YLW	340.90	1	EA	5	B
CDB10/4	1X35mm ² I/P 16X10mm ² O/P DISTR BLOCK	357.20	1	EA	5	B
CDB10/4BK	1X35mm ² I/P 16X10mm ² O/P DISTR BLOCK BLK	392.90	1	EA	5	B
CDB10/4BU	1X35mm ² I/P 16X10mm ² O/P DISTR BLOCK BLU	392.90	1	EA	5	B
CDB10/4GN	1X35mm ² I/P 16X10mm ² O/P DISTR BLOCK GRN	392.90	1	EA	5	B
CDB10/4R	1X35mm ² I/P 16X10mm ² O/P DISTR BLOCK RED	392.90	1	EA	5	B
CDB10/4Y	1X35mm ² I/P 16X10mm ² O/P DISTR BLOCK YLW	392.90	1	EA	5	B
CDB25/1	1X50mm ² I/P 4X25mm ² O/P DISTR BLOCK	381.20	1	EA	10	B
CDB25/1BK	1X50mm ² I/P 4X25mm ² O/P DISTR BLOCK BLK	419.30	1	EA	10	B

Part #	Description	List Price in ₹	Per	UOM	Std. Pack	Group
CDB25/1BU	1X50mm ² I/P 4X25mm ² O/P DISTR BLOCK BLU	419.30	1	EA	10	B
CDB25/1GN	1X50mm ² I/P 4X25mm ² O/P DISTR BLOCK GRN	419.30	1	EA	10	B
CDB25/1R	1X50mm ² I/P 4X25mm ² O/P DISTR BLOCK RED	419.30	1	EA	10	B
CDB25/1Y	1X50mm ² I/P 4X25mm ² O/P DISTR BLOCK YLW	419.30	1	EA	10	B
CDB25/2	1X50mm ² I/P 8X25mm ² O/P DISTR BLOCK	442.10	1	EA	10	B
CDB25/2BK	1X50mm ² I/P 8X25mm ² O/P DISTR BLOCK BLK	486.30	1	EA	10	B
CDB25/2BU	1X50mm ² I/P 8X25mm ² O/P DISTR BLOCK BLU	486.30	1	EA	10	B
CDB25/2GN	1X50mm ² I/P 8X25mm ² O/P DISTR BLOCK GRN	486.30	1	EA	10	B
CDB25/2R	1X50mm ² I/P 8X25mm ² O/P DISTR BLOCK RED	486.30	1	EA	10	B
CDB25/2Y	1X50mm ² I/P 8X25mm ² O/P DISTR BLOCK YLW	486.30	1	EA	10	B
CDB25/3	1X50mm ² I/P 12X25mm ² O/P DISTR BLOCK	533.60	1	EA	10	B
CDB25/3BK	1X50mm ² I/P 12X25mm ² O/P DISTR BLOCK BLK	587.00	1	EA	10	B
CDB25/3BU	1X50mm ² I/P 12X25mm ² O/P DISTR BLOCK BLU	587.00	1	EA	10	B
CDB25/3GN	1X50mm ² I/P 12X25mm ² O/P DB GRN	587.00	1	EA	10	B
CDB25/3R	1X50mm ² I/P 12X25mm ² O/P DISTR BLOCK RED	587.00	1	EA	10	B
CDB25/3Y	1X50mm ² I/P 12X25mm ² O/P DISTR BLOCK YLW	587.00	1	EA	10	B
CDB25/4	1X50mm ² I/P 16X25mm ² O/P DISTR BLOCK	573.30	1	EA	5	B
CDB25/4BK	1X50mm ² I/P 16X25mm ² O/P DISTR BLOCK BLK	630.60	1	EA	5	B
CDB25/4BU	1X50mm ² I/P 16X25mm ² O/P DISTR BLOCK BLU	630.60	1	EA	5	B
CDB25/4R	1X50mm ² I/P 16X25mm ² O/P DISTR BLOCK RED	630.60	1	EA	5	B
CDB25/4Y	1X50mm ² I/P 16X25mm ² O/P DISTR BLOCK YLW	630.60	1	EA	5	B
CDB4/1	1X16mm ² I/P 4X4mm ² O/P DISTR BLOCK	148.00	1	EA	10	B
CDB4/10(1)	1X16mm ² I/P 22X4mm ² O/P SIDE ENTRY DB	304.90	1	EA	5	B
CDB4/11(1)	1X16mm ² I/P 24X4mm ² O/P SIDE ENTRY DB	320.20	1	EA	5	B
CDB4/11(1)BK	1X16mm ² I/P 24X4mm ² O/P SIDE ENTRY DB BLK	352.20	1	EA	5	B
CDB4/11(1)BU	1X16mm ² I/P 24X4mm ² O/P SIDE ENTRY DB BLU	352.20	1	EA	5	B
CDB4/11(1)GN	1X16mm ² I/P 24X4mm ² O/P SIDE ENTRY DB GRN	352.20	1	EA	5	B
CDB4/11(1)R	1X16mm ² I/P 24X4mm ² O/P SIDE ENTRY DB RED	352.20	1	EA	5	B
CDB4/11(1)Y	1X16mm ² I/P 24X4mm ² O/P SIDE ENTRY DB YLW	352.20	1	EA	5	B
CDB4/1BK	1X16mm ² I/P 4X4mm ² O/P DISTR BLOCK BLK	162.80	1	EA	10	B
CDB4/1BU	1X16mm ² I/P 4X4mm ² O/P DISTR BLOCK BLU	162.80	1	EA	10	B
CDB4/1R	1X16mm ² I/P 4X4mm ² O/P DISTR BLOCK RED	162.80	1	EA	10	B
CDB4/1Y	1X16mm ² I/P 4X4mm ² O/P DISTR BLOCK YLW	162.80	1	EA	10	B
CDB4/2	1X16mm ² I/P 8X4mm ² O/P DISTR BLOCK	175.50	1	EA	10	B
CDB4/2(1)	1X16mm ² I/P 6X4mm ² O/P SIDE ENTRY DB	167.70	1	EA	10	B
CDB4/2BK	1X16mm ² I/P 8X4mm ² O/P DISTR BLOCK BLK	193.10	1	EA	10	B
CDB4/2BU	1X16mm ² I/P 8X4mm ² O/P DISTR BLOCK BLU	193.10	1	EA	10	B
CDB4/2GN	1X16mm ² I/P 8X4mm ² O/P DISTR BLOCK GRN	193.10	1	EA	10	B
CDB4/2R	1X16mm ² I/P 8X4mm ² O/P DISTR BLOCK RED	193.10	1	EA	10	B
CDB4/2Y	1X16mm ² I/P 8X4mm ² O/P DISTR BLOCK YLW	193.10	1	EA	10	B
CDB4/3	1X16mm ² I/P 12X4mm ² O/P DISTR BLOCK	207.40	1	EA	10	B
CDB4/3(1)	1X16mm ² I/P 8X4mm ² O/P SIDE ENTRY DB	183.00	1	EA	10	B
CDB4/3BK	1X16mm ² I/P 12X4mm ² O/P DISTR BLOCK BLK	228.10	1	EA	10	B
CDB4/3BU	1X16mm ² I/P 12X4mm ² O/P DISTR BLOCK BLU	228.10	1	EA	10	B
CDB4/3GN	1X16mm ² I/P 12X4mm ² O/P DB GRN	228.10	1	EA	10	B
CDB4/3R	1X16mm ² I/P 12X4mm ² O/P DISTR BLOCK RED	228.10	1	EA	10	B
CDB4/3Y	1X16mm ² I/P 12X4mm ² O/P DISTR BLOCK YLW	228.10	1	EA	10	B
CDB4/4	1X16mm ² I/P 16X4mm ² O/P DISTR BLOCK	259.20	1	EA	10	B
CDB4/4(1)	1X16mm ² I/P 10X4mm ² O/P SIDE ENTRY DB	198.20	1	EA	10	B
CDB4/4BK	1X16mm ² I/P 16X4mm ² O/P DISTR BLOCK BLK	285.10	1	EA	10	B
CDB4/4BU	1X16mm ² I/P 16X4mm ² O/P DISTR BLOCK BLU	285.10	1	EA	10	B

Part #	Description	List Price in ₹	Per	UOM	Std. Pack	Group
CDB4/4GN	1X16mm ² I/P 16X4mm ² O/P DB GRN	285.10	1	EA	10	B
CDB4/4R	1X16mm ² I/P 16X4mm ² O/P DISTR BLOCK RED	285.10	1	EA	10	B
CDB4/4Y	1X16mm ² I/P 16X4mm ² O/P DISTR BLOCK YLW	285.10	1	EA	10	B
CDB4/5	1X16mm ² I/P 20X4mm ² O/P DISTR BLOCK	274.40	1	EA	5	B
CDB4/5(1)	1X16mm ² I/P 12X4mm ² O/P SIDE ENTRY DB	213.40	1	EA	5	B
CDB4/5(1)BK	1X16mm ² I/P 12X4mm ² O/P SIDE ENTRY BLK	234.70	1	EA	5	B
CDB4/5(1)BU	1X16mm ² I/P 12X4mm ² O/P SIDE ENTRY BLU	234.70	1	EA	5	B
CDB4/5BK	1X16mm ² I/P 20X4mm ² O/P DISTR BLOCK BLK	301.80	1	EA	5	B
CDB4/5BU	1X16mm ² I/P 20X4mm ² O/P DB BLU	301.80	1	EA	5	B
CDB4/5GN	1X16mm ² I/P 20X4mm ² O/P DISTR BLOCK GRN	301.80	1	EA	5	B
CDB4/5R	1X16mm ² I/P 20X4mm ² O/P DB RED	301.80	1	EA	5	B
CDB4/5Y	1X16mm ² I/P 20X4mm ² O/P DB YLW	301.80	1	EA	5	B
CDB4/6	1X16mm ² I/P 24X4mm ² O/P DISTR BLOCK	308.00	1	EA	5	B
CDB4/6(1)	1X16mm ² I/P 14X4mm ² O/P SIDE ENTRY DB	228.70	1	EA	5	B
CDB4/6BK	1X16mm ² I/P 24X4mm ² O/P DISTR BLOCK BLK	338.80	1	EA	5	B
CDB4/6BU	1X16mm ² I/P 24X4mm ² O/P DISTR BLOCK BLU	338.80	1	EA	5	B
CDB4/6GN	1X16mm ² I/P 24X4mm ² O/P DISTR BLOCK GRN	338.80	1	EA	5	B
CDB4/6R	1X16mm ² I/P 24X4mm ² O/P DISTR BLOCK RED	338.80	1	EA	5	B
CDB4/6Y	1X16mm ² I/P 24X4mm ² O/P DISTR BLOCK YLW	338.80	1	EA	5	B
CDB6/1	1X25mm ² I/P 4X6mm ² O/P DISTR BLOCK GRY	153.80	1	EA	10	B
CDB6/1BU	1X25mm ² I/P 4X6mm ² O/P DISTR BLOCK BLU	169.20	1	EA	10	B
CDB6/1R	1X25mm ² I/P 4X6mm ² O/P DISTR BLOCK RED	169.20	1	EA	10	B
CDB6/1Y	1X25mm ² I/P 4X6mm ² O/P DISTR BLOCK YLW	169.20	1	EA	10	B
CDB6/2	1X25mm ² I/P 8X6mm ² O/P DISTR BLOCK	180.40	1	EA	10	B
CDB6/2BK	1X25mm ² I/P 8X6mm ² O/P DISTR BLOCK BLK	198.40	1	EA	10	B
CDB6/2BU	1X25mm ² I/P 8X6mm ² O/P DISTR BLOCK BLU	198.40	1	EA	10	B
CDB6/2GN	1X25mm ² I/P 8X6mm ² O/P DISTR BLOCK GRN	198.40	1	EA	10	B
CDB6/2R	1X25mm ² I/P 8X6mm ² O/P DISTR BLOCK RED	198.40	1	EA	10	B
CDB6/2Y	1X25mm ² I/P 8X6mm ² O/P DISTR BLOCK YLW	198.40	1	EA	10	B
CDB6/3	1X25mm ² I/P 12X6mm ² O/P DISTR BLOCK	239.40	1	EA	10	B
CDB6/3BK	1X25mm ² I/P 12X6mm ² O/P DISTR BLOCK BLK	263.30	1	EA	10	B
CDB6/3BU	1X25mm ² I/P 12X6mm ² O/P DISTR BLOCK BLU	263.30	1	EA	10	B
CDB6/3GN	1X25mm ² I/P 12X6mm ² O/P DISTR BLOCK GRN	263.30	1	EA	10	B
CDB6/3R	1X25mm ² I/P 12X6mm ² O/P DISTR BLOCK RED	263.30	1	EA	10	B
CDB6/3Y	1X25mm ² I/P 12X6mm ² O/P DISTR BLOCK YLW	263.30	1	EA	10	B
CDB6/4	1X25mm ² I/P 16X6mm ² O/P DISTR BLOCK	280.80	1	EA	5	B
CDB6/4BK	1X25mm ² I/P 16X6mm ² O/P DISTR BLOCK BLK	308.90	1	EA	5	B
CDB6/4BU	1X25mm ² I/P 16X6mm ² O/P DISTR BLOCK BLU	308.90	1	EA	5	B
CDB6/4GN	1X16mm ² I/P 24X6mm ² O/P DISTR BLOCK GRN	308.90	1	EA	5	B
CDB6/4R	1X25mm ² I/P 16X6mm ² O/P DISTR BLOCK RED	308.90	1	EA	5	B
CDB6/4Y	1X25mm ² I/P 16X6mm ² O/P DISTR BLOCK YLW	308.90	1	EA	5	B
CDINS16	DIN RAIL MOUNTABLE SOCKET 15 Amp	822.30	1	EA	10	A
CDINS6	DIN RAIL MOUNTABLE SOCKET 5 Amp	781.10	1	EA	10	A
CDINS16	DIN RAIL MOUNTABLE SOCKET 16 Amp	925.00	1	EA	10	A
CDINSUK	DIN RAIL MOUNTABLE 7648.UK SOCKET 13Amp	925.00	1	EA	10	A
CDINSW1	DIN RAIL MOUNTABLE 1 POLE SWITCH	781.10	1	EA	10	A
CDINSW2	DIN RAIL MOUNTABLE 2 POLE SWITCH	1027.70	1	EA	10	A
CDL4U(E)RC0.22MF	4mm ² 2LVL SW CL SURG SUPPR RC TYP 0.22MF	469.10	1	EA	32	B
CDL4U(O)	4 mm ² 2 LEVEL OPEN TYPE SCREW CLAMP TB	59.80	1	EA	100	B
CDL4UED1	4 mm ² 2 LEVEL SCREW CLAMP DIODE D1 TB	78.20	1	EA	100	B
CDL4UED2	4 mm ² 2 LEVEL SCREW CLAMP DIODE D2 TB	78.20	1	EA	100	B

Part #	Description	List Price in ₹	Per	UOM	Std. Pack	Group
CDL4UED3	4 mm ² 2 LEVEL SCREW CLAMP DIODE D3 TB	78.20	1	EA	100	B
CDL4UEDD1	4 mm ² 2 LEVEL SCREW CLAMP 2 DIODE DD1 TB	78.20	1	EA	100	B
CDL4UEDD2	4 mm ² 2 LEVEL SCREW CLAMP 2 DIODE DD2 TB	78.20	1	EA	100	B
CDL4UEDD3	4 mm ² 2 LEVEL SCREW CLAMP 2 DIODE DD3 TB	78.20	1	EA	100	B
CDL4UEDD4	4 mm ² 2 LEVEL SCREW CLAMP 2 DIODE DD4 TB	78.20	1	EA	100	B
CDL4UEDD5	4 mm ² 2 LVL SCRW CL 12V DIODE DD5 TB	78.20	1	EA	100	B
CDL4UEL1-24V	4 mm ² 2 LEVEL SCREW CLAMP 24V LED L1 TB	78.20	1	EA	100	B
CDL4UEL2-24V	4 mm ² 2 LEVEL SCREW CLAMP 24V LED L2 TB	78.20	1	EA	100	B
CDL4UELA(90V)	4 mm ² 2 LEVEL SW CL SURG SUPPR 90V	195.70	1	EA	32	B
CDL4UELD1-110V	4 mm ² 2 LEVEL SCRW CLAMP 110V LED LD1 TB	78.20	1	EA	100	B
CDL4UELD1-24V	4 mm ² 2 LEVEL SCRW CLAMP 24V LED LD1 TB	78.20	1	EA	100	B
CDL4UELD2-24V	4 mm ² 2 LEVEL SCRW CLAMP 24V LED LD2 TB	78.20	1	EA	100	B
CDL4UELD3-110V	4 mm ² 2 LVL SCREW CLAMP 110V LED LD3 TB	78.20	1	EA	100	B
CDL4UELD3-24V	4 mm ² 2 LEVEL SCREW CLAMP 24V LED LD3 TB	78.20	1	EA	100	B
CDL4UELD4-24V	4 mm ² 2 LEVEL SCREW CLAMP 24V LED LD4 TB	78.20	1	EA	100	B
CDL4UELD4-48V	4 mm ² 2 LEVEL SCREW CLAMP 48V LED LD4 TB	78.20	1	EA	100	B
CDL4UELD5-110V	4 mm ² 2 LEVEL SCRW CLAMP 110V LED LD5 TB	78.20	1	EA	100	B
CDL4UELD5-220V	4 mm ² 2 LEVEL SCRW CLAMP 220V LED LD5 TB	78.20	1	EA	100	B
CDL4UELD5-24V	4 mm ² 2 LEVEL SCREW CLAMP 24V LED LD5 TB	78.20	1	EA	100	B
CDL4UEMOV(460V)	4 mm ² 2 LVL SW CL SURG SUPPR MOV 460V	312.80	1	EA	52	B
CDL4UEMOV-130V	4 mm ² 2 LVL SW CL SURG SUPPR MOV 130V	89.80	1	EA	52	B
CDL4UEMOV-275V	4 mm ² 2 LVL SW CL SURG SUPPR MOV 275V	89.80	1	EA	52	B
CDL4UEMOV-30V	4 mm ² 2 LVL SW CL SURG SUPPR MOV 30V	89.80	1	EA	52	B
CDL4UEMOV-510V	4 mm ² 2 LVL SW CL SURG SUPPR MOV 510V	98.90	1	EA	52	B
CDL4UEMOV-60V	4 mm ² 2 LVL SW CL SURG SUPPR MOV 60V	89.80	1	EA	50	B
CDL4UEMOV-75V	ACTV SURGE SUPPR MOV PA TB (75V) GRY	89.80	1	EA	52	B
CDL4UEN1-110V	4 mm ² 2 LEVEL SCR CL 110V NEON N1 TB	78.20	1	EA	100	B
CDL4UEN1-220V	4 mm ² 2 LEVEL SCREW CLMP 220V NEON N1 TB	78.20	1	EA	100	B
CDL4UERCO-0.1MF	4 mm ² 2LVL SW CL SURG SUPPR RC TYP 0.1MF	391.00	1	EA	32	B
CDL4UERR1	4 mm ² 2 LVL SW CL 2 RESISTOR RR1 TB	112.00	1	EA	100	B
CDL4UESDB-160V	4 MM ² 2 LVL SW CL SUPPRESSOR DIODE 160V	240.00	1	EA	52	B
CDL4UESDUA24V	4 mm ² 2 LVL SW CL SUPPRESSOR DIODE 24V	224.70	1	EA	52	B
CDL4UN	4 mm ² 2 LEVEL SCREW CLAMP TERMINAL BLOCK	31.00	1	EA	100	B
CDL4UN(I.S)	4 mm ² 2 LEVEL SCREW CLAMP INT SHORTED TB	41.90	1	EA	100	B
CDL4UN(I.S)BG	4 mm ² 2 LEVEL SCRW CLMP INT SHRTD TB BGE	46.10	1	EA	100	B
CDL4UN(I.S)BK	4 mm ² 2 LEVEL SCRW CLMP INT SHRTD TB BLK	46.10	1	EA	100	B
CDL4UN(I.S)BR	4 mm ² 2 LEVEL SCRW CLMP INT SHRTD TB BRN	46.10	1	EA	100	B
CDL4UN(I.S)BU	4 mm ² 2 LEVEL SCRW CLMP INT SHRTD TB BLU	46.10	1	EA	100	B
CDL4UN(I.S)GN	4 mm ² 2 LEVEL SCRW CLMP INT SHRTD TB GRN	46.10	1	EA	100	B
CDL4UN(I.S)R	4 mm ² 2 LEVEL SCRW CLMP INT SHRTD TB RED	46.10	1	EA	100	B
CDL4UN(I.S)W	DBL LVL INTERNALY SHORTED TB WHT	46.10	1	EA	100	B
CDL4UN(I.S)Y	4 mm ² 2 LEVEL SCRW CLMP INT SHRTD TB YLW	46.10	1	EA	100	B
CDL4UNBG	4 MM ² 2 LVL SCRW CLMP TERMINAL BLOCK BGE	34.10	1	EA	500	B
CDL4UNBK	4 mm ² 2 LVL SCRW CLMP TERMINAL BLOCK BLK	34.10	1	EA	100	B
CDL4UNBR	4 mm ² 2 LVL SCRW CLMP TERMINAL BLOCK BRN	34.10	1	EA	100	B
CDL4UNBU	4 mm ² 2 LVL SCRW CLMP TERMINAL BLOCK BLU	34.10	1	EA	100	B
CDL4UNGN	4 mm ² 2 LVL SCRW CLMP TERMINAL BLOCK GRN	34.10	1	EA	100	B
CDL4UNO	4 mm ² 2 LVL SCRW CLMP TERMINAL BLOCK ORG	34.10	1	EA	100	B
CDL4UNR	4 mm ² 2 LVL SCRW CLMP TERMINAL BLOCK RED	34.10	1	EA	100	B
CDL4UNSL	4 mm ² 2 LVL SCRW CLMP TERMINAL BLOCK SLV	34.80	1	EA	100	B
CDL4UNSP	POLYAMIDE SPACER FOR CDL4UN SERIES	11.20	1	EA	100	B

Part #	Description	List Price in ₹	Per	UOM	Std. Pack	Group
CDL4UNW	4 mm ² 2 LVL SCRW CLMP TERMINAL BLOCK WHT	34.10	1	EA	100	B
CDL4UNY	4 mm ² 2 LVL SCRW CLMP TERMINAL BLOCK YLW	34.10	1	EA	100	B
CDL4USP	POLYAMIDE SPACER FOR CDL4U SERIES	11.30	1	EA	50	B
CDLG2.5	2.5 mm ² 2 LEVEL + GROUND SCREW CLAMP TB	210.20	1	EA	20	B
CDLG4	4 mm ² FEED THRU + GROUND SCREW CLAMP TB	119.20	1	EA	100	B
CDLG4(I.S)	4 mm ² 2 LEVEL SCREW CLAMP GROUND TB	133.10	1	EA	100	B
CDS4U	4MM ² DISCONNECT & TEST TERMINAL BLOCK	51.00	1	EA	100	B
CDS6U	6 mm ² SLIDE LINK DISCONNECT SCRW CLMP TB	67.30	1	EA	50	B
CDS6U/FT	6 mm ² FEED THRU CDS6U PROFILE SW CLMP TB	63.70	1	EA	50	B
CDS6U/FTS	6 mm ² FD THRU CDS6U PROF 1 TST SOC SW CL	70.10	1	EA	50	B
CDS6U/TS	6 mm ² SLIDE LINK DISCON TEST SOC SW CL TB	102.70	1	EA	20	B
CDS6UBK	6 mm ² SLIDE LINK DISCON SCRW CLMP TB BLK	74.00	1	EA	50	B
CDS6UBU	6 mm ² SLIDE LINK DISCON SCRW CLMP TB BLU	74.00	1	EA	50	B
CDS6UGN	6 mm ² SLIDE LINK DISCON SCRW CLMP TB GRN	74.00	1	EA	50	B
CDS6UPC(110MM)	PROTECTIVE COVER FOR CDS6U 110MM LONG	118.40	1	EA	50	B
CDS6UPC(135MM)	PROTECTIVE COVER FOR CDS6U 135MM LONG	140.90	1	EA	50	B
CDS6UPC(225MM)	PROTECTIVE COVER FOR CDS6U 225MM LONG	178.60	1	EA	10	B
CDS6UPC(85MM)	PROTECTIVE COVER FOR CDS6U 85MM LONG	107.80	1	EA	50	B
CDS6UR	6 mm ² SLIDE LINK DISCON SCRW CLMP TB RED	74.00	1	EA	50	B
CDS6USH	6 mm ² DISCONNECT SHORTED SCREW CLAMP TB	162.50	1	EA	22	B
CDS6UW	6 mm ² SLIDE LINK DISCON SCRW CLMP TB WHT	74.00	1	EA	50	B
CDS6UY	6 mm ² SLIDE LINK DISCON SCRW CLMP TB YLW	74.00	1	EA	50	B
CDT4	4 mm ² DISCONNECT TYPE METERING TERMINAL	102.40	1	EA	50	B
CDTPC1	PROTECTIVE COVER FOR 2nos CMDT4 TB'S	19.60	1	EA	100	B
CDTPC2	PROTECTIVE COVER FOR 3nos CMDT4 TB'S	30.00	1	EA	100	B
CDTPC3	PROTECTIVE COVER FOR CMDT4 100mm LONG	68.90	1	EA	10	B
CDTPC4	PROTECTIVE COVER FOR CMDT4 200mm LONG	125.80	1	EA	10	B
CDTPC5	PROTECTIVE COVER FOR CMDT4 300mm LONG	190.20	1	EA	10	B
CDTTU	10mm ² SLIDE LINK DISCONNECT SCREW CLMP TB	93.40	1	EA	50	B
CDTTUBK	10mm ² SLIDE LINK DISCON SCRW CLMP TB BLK	102.70	1	EA	50	B
CDTTUBU	10mm ² SLIDE LINK DISCON SCRW CLMP TB BLU	102.70	1	EA	50	B
CDTTUFT	10mm ² FEED THRU CDTTU PRO SCREW CLAMP	80.10	1	EA	50	B
CDTTUGN	10mm ² SLIDE LINK DISCON SCRW CLMP TB GRN	102.70	1	EA	50	B
CDTTUR	10mm ² SLIDE LINK DISCON SCRW CLMP TB RED	102.70	1	EA	50	B
CDTTUSH	10 mm ² DISCONNECT SHORTD SCREW CLAMP TB	200.10	1	EA	20	B
CDTTUSHBK	10 mm ² DISCONNECT SHORTD SW CL TB BLK	220.10	1	EA	20	B
CDTTUSHBR	10 mm ² DISCONNECT SHORTD SW CL TB BRN	220.10	1	EA	20	B
CDTTUSHBU	10 mm ² DISCONNECT SHORTD SW CL TB BLU	220.10	1	EA	20	B
CDTTUSHREV	10 mm ² DISCONNECT SHORTD REV SW CL TB	225.30	1	EA	20	B
CDTTUW	10mm ² SLIDE LINK DISCON SCRW CLMP TB WHT	102.70	1	EA	50	B
CDTTUY	10mm ² SLIDE LINK DISCON SCRW CLMP TB YLW	102.70	1	EA	50	B
CENC16	16mm ² NEUTRAL/EARTH CLAMP GREEN	18.90	1	EA	50	B
CENC16BK	16mm ² NEUTRAL/EARTH CLAMP BLACK	20.80	1	EA	50	B
CENC16BR	16mm ² NEUTRAL/EARTH CLAMP BRN	20.90	1	EA	50	B
CENC16BU	16mm ² NEUTRAL/EARTH CLAMP BLUE	20.80	1	EA	50	B
CENC16G	16.0 SQ NEUTRAL/EARTH CLAMP GRY	20.80	1	EA	50	B
CENC16R	16mm ² NEUTRAL/EARTH CLAMP RED	20.80	1	EA	50	B
CENC16Y	16mm ² NEUTRAL/EARTH CLAMP YELLOW	20.80	1	EA	50	B
CENC35	35mm ² NEUTRAL/EARTH CLAMP GREEN	33.80	1	EA	50	B
CENC35BK	35mm ² NEUTRAL/EARTH CLAMP BLACK	37.20	1	EA	50	B
CENC35BU	35mm ² NEUTRAL/EARTH CLAMP BLUE	37.20	1	EA	50	B

Part #	Description	List Price in ₹	Per	UOM	Std. Pack	Group
CENC35G	35mm ² NEUTRAL/EARTH CLAMP GREY	37.30	1	EA	50	B
CENC35W	35mm ² NEUTRAL/EARTH CLAMP WHT	37.30	1	EA	50	B
CENC35Y	35mm ² NEUTRAL/EARTH CLAMP YELLOW	37.20	1	EA	50	B
CENC4	4mm ² NEUTRAL/EARTH CLAMP GREEN	14.30	1	EA	50	B
CENC4BK	4mm ² NEUTRAL/EARTH CLAMP BLACK	15.70	1	EA	50	B
CENC4BR	4mm ² NEUTRAL/EARTH CLAMP BRN	15.70	1	EA	50	B
CENC4BU	4mm ² NEUTRAL/EARTH CLAMP BLUE	15.70	1	EA	50	B
CENC4G	4mm ² NEUTRAL/EARTH CLAMP GRY	15.70	1	EA	50	B
CENC4R	4mm ² NEUTRAL/EARTH CLAMP RED	15.70	1	EA	50	B
CENC4W	4mm ² NEUTRAL/EARTH CLAMP WHITE	15.70	1	EA	50	B
CENC4Y	4mm ² NEUTRAL/EARTH CLAMP YELLOW	15.70	1	EA	50	B
CF4U	4mm ² Ø5X20mm FUSE SCREW CLAMP TERMINAL	43.10	1	EA	100	B
CF4U0.05	4mm ² Ø5X20mm 50mAMP SCREW CLAMP FUSE TB	54.00	1	EA	100	B
CF4U0.1	4mm ² Ø5X20mm 100mAMP SCREW CLAMP FUSE TB	54.00	1	EA	100	B
CF4U0.5	4mm ² Ø5X20mm 500mAMP SCREW CLAMP FUSE TB	54.00	1	EA	100	B
CF4U1.0	4mm ² Ø5X20mm 1 AMP SCREW CLAMP FUSE TB	54.00	1	EA	100	B
CF4U2.0	4mm ² Ø5X20mm 2 AMP SCREW CLAMP FUSE TB	54.00	1	EA	100	B
CF4U4	4mm ² Ø5X20mm 4 AMP SCREW CLAMP FUSE TB	54.00	1	EA	100	B
CF4U5.0	4mm ² Ø5X20mm 5 AMP SCREW CLAMP FUSE TB	54.00	1	EA	100	B
CF4U6	4mm ² Ø5X20mm 6 AMP SCREW CLAMP FUSE TB	54.00	1	EA	100	B
CF4U6.3	4mm ² Ø5X20mm 6.3 AMP SCREW CLAMP FUSE TB	54.00	1	EA	100	B
CF4UBK	4mm ² Ø5X20mm SCREW CLAMP FUSE TB BLACK	47.40	1	EA	100	B
CF4UBU	4mm ² Ø5X20mm SCREW CLAMP FUSE TB BLUE	47.40	1	EA	100	B
CF4UBU0.1	4mm ² Ø5X20mm 100mA SCREW CLMP FUSE TB BU	59.40	1	EA	100	B
CF4UBU1.0	4mm ² Ø5X20mm 1A SCREW CLMP FUSE TB BLU	59.40	1	EA	100	B
CF4UGN	4mm ² Ø5X20mm SCREW CLAMP FUSE TB GRN	47.40	1	EA	100	B
CF4UL110-240V	4mm ² Ø5X20mm SW CL FUSE TB 110-240V	64.70	1	EA	100	B
CF4UL110-240V0.1	4mm ² Ø5X20mm 100mA SW CL FUS TB110-240V	71.20	1	EA	100	B
CF4UL110-240V0.5	4mm ² Ø5X20mm 500mA SW CL FUS TB110-240V	71.20	1	EA	100	B
CF4UL110-240V1.0	4mm ² Ø5X20mm 1A SW CL FUSE TB 110-240V	71.20	1	EA	100	B
CF4UL110-240V2.0	4mm ² Ø5X20mm 2Amp SW CL FUSE TB 110-240	71.20	1	EA	100	B
CF4UL110-240V4.0	4mm ² Ø5X20mm 4A SW CL FUSE TB 110-240V	71.20	1	EA	100	B
CF4UL110-240V5.0	4mm ² Ø5X20mm 5mA SW CL FUSE TB 110-240V	71.20	1	EA	100	B
CF4UL110-240V6.3	4mm ² Ø5X20mm 6.3mA SW CL FUS TB110-240V	71.20	1	EA	100	B
CF4UL110-240V6.3BK	4mm ² Ø5X20 6.3mA SWCL FUS TB110-240V BLK	78.30	1	EA	100	B
CF4UL110-240V63MA	4mm ² Ø5X20mm 63mA SW CL FUS TB110-240V	71.30	1	EA	100	B
CF4UL110-240VBK	SL 4.0 SQ PA (W/O FUSE) CLSD TB BLK(LED)	71.20	1	EA	100	B
CF4UL110-240VBU	4mm ² Ø5X20mm SW CL FUSE TB 110-240V BLU	71.20	1	EA	100	B
CF4UL110-240VBU1.0	4mm ² Ø5X20mm 1A SW CL FUSE TB 110-240V BLU	78.30	1	EA	100	B
CF4UL110-240VR	4mm ² Ø5X20mm SW CL FUSE TB 110-240V RED	78.30	1	EA	100	B
CF4UL110-240VR1.0	4mm ² Ø5X20mm 1A SW CL FUSE TB 110-240V RED	78.30	1	EA	100	B
CF4UL110-240VRP	4mm ² Ø5X20 SWCL FU TB REV PRT 110-240V	65.50	1	EA	100	B
CF4UL110-240VRPBK	4mm ² Ø5X20 SWCL FUTB REV PRN 110-240V BK	72.10	1	EA	100	B
CF4UL110-240VRPBU	4mm ² Ø5X20mm SW CL FUSE TB 110-240V BLU	72.10	1	EA	100	B
CF4UL110-240VRPR	4mm ² Ø5X20 SWCL FUTB REV PRN 110-240V RED	72.10	1	EA	100	B
CF4UL110-240VY	4mm ² Ø5X20mm SW CL FUSE TB 110-240V YLW	71.20	1	EA	100	B
CF4UL440V	4mm ² (W/O FUSE) SCREW CLAMP TB 440V	65.50	1	EA	100	B
CF4UL440V5.0	4mm ² Ø5X20mm 5mA SW CL FUSE TB 440V	72.10	1	EA	100	B
CF4UL6-60V	4mm ² Ø5X20mm SCREW CLAMP FUSE TB 6-60V	64.70	1	EA	100	B
CF4UL6-60V0.1	4mm ² Ø5X20mm 100mA SW CL FUSE TB 6-60V	71.20	1	EA	100	B
CF4UL6-60V0.5	4mm ² Ø5X20mm 500mA SW CL FUSE TB 6-60V	71.20	1	EA	100	B

Part #	Description	List Price in ₹	Per	UOM	Std. Pack	Group
CF4UL6-60V1.0	4mm ² Ø5X20mm 1AMP SW CL FUSE TB 6-60V	71.20	1	EA	100	B
CF4UL6-60V2.0	4mm ² Ø5X20mm 2AMP SW CL FUSE TB 6-60V	71.20	1	EA	100	B
CF4UL6-60V2.0BK	4mm ² Ø5X20mm 2A SW CL FUSE TB 6-60V BLK	78.30	1	EA	100	B
CF4UL6-60V2.5	4mm ² Ø5X20mm 2.5AMP SW CL FUSE TB 6-60V	71.20	1	EA	100	B
CF4UL6-60V4.0	4mm ² Ø5X20mm 4AMP SW CL FUSE TB 6-60V	71.20	1	EA	100	B
CF4UL6-60V5.0	4mm ² Ø5X20mm 5AMP SW CL FUSE TB 6-60V	71.20	1	EA	100	B
CF4UL6-60V6.3	4mm ² Ø5X20mm 6.3AMP SW CL FUSE TB 6-60V	71.20	1	EA	100	B
CF4UL6-60V6.3BK	4mm ² Ø5X20mm 6.3A SW CL FUSE 6-60V BLK	78.30	1	EA	100	B
CF4UL6-60V6.3BU	4mm ² Ø5X20 6.3AMP SWCL FU TB 6-60V BLU	78.30	1	EA	100	B
CF4UL6-60VBK	4mm ² Ø5X20mm SCREW CL FUSE TB 6-60V BLK	71.20	1	EA	100	B
CF4UL6-60VBU	4mm ² Ø5X20mm SCREW CL FUSE TB 6-60V BLU	71.20	1	EA	100	B
CF4UL6-60VGN	4mm ² Ø5X20mm SCREW CL FUSE TB 6-60V GRN	71.20	1	EA	100	B
CF4UL6-60VO	4mm ² Ø5X20mm SCREW CL FUSE TB 6-60V ORG	71.20	1	EA	100	B
CF4UL6-60VR	4mm ² Ø5X20mm SCREW CL FUSE TB 6-60V RED	71.20	1	EA	100	B
CF4UL6-60VRP	4mm ² Ø5X20mm SW CL FU TB REV PRT 6-60V	65.50	1	EA	100	B
CF4UL6-60VRPBK	4mm ² Ø5X20mm SWCL FU TB REV PRT 6-60V BK	72.10	1	EA	100	B
CF4UL6-60VRPBU	4mm ² Ø5X20 SW CL FU TB REV PRT 6-60V BLU	72.10	1	EA	100	B
CF4UL6-60VY	4mm ² Ø5X20mm SCREW CL FUSE TB 6-60V YLW	72.10	1	EA	100	B
CF4UL6-60VY1.0	4mm ² Ø5X20mm 1A SW CL FUSE TB 6-60V YLW	78.30	1	EA	100	B
CF4UO	4mm ² Ø5X20mm SCREW CLAMP FUSE TB ORG	47.40	1	EA	100	B
CF4UR	4mm ² Ø5X20mm SCREW CLAMP FUSE TB RED	47.40	1	EA	100	B
CF4UW	4mm ² Ø5X20mm SCREW CLAMP FUSE TB WHITE	47.40	1	EA	100	B
CF4UY	4mm ² Ø5X20mm SCREW CLAMP FUSE TB YLW	47.40	1	EA	100	B
CGMT4	4 mm ² SCREW CLMP GROUND TB FR DIN15 RAIL	53.20	1	EA	100	B
CGT10N	10 mm ² SCREW CLAMP GROUND TERMINAL BLOCK	106.50	1	EA	50	B
CGT10U	10 mm ² SW CL GROUND TB FR DIN 32/35 RAIL	115.00	1	EA	50	B
CGT16N	16 mm ² SCREW CLAMP GROUND TERMINAL BLOCK	126.40	1	EA	50	B
CGT35U	35 mm ² SW CL GROUND TB FR DIN 32/35 RAIL	272.90	1	EA	20	B
CGT4N	4 mm ² SCREW CLAMP GROUND TERMINAL BLOCK	82.70	1	EA	50	B
CGT4U	4 mm ² SW CL GROUND TB FR DIN 32/35 RAIL	86.80	1	EA	50	B
CGT50/70N	70 mm ² SCREW CLAMP GROUND TERMINAL BLK	658.80	1	EA	20	B
CGT6N	6 mm ² SCREW CLAMP GROUND TERMINAL BLOCK	91.20	1	EA	50	B
CHV10U	10 mm ² FD THRU HIGH VOLTAGE SCREW CL TB	32.80	1	EA	50	A
CHV4U	4 mm ² FD THRU HIGH VOLTAGE SCREW CL TB	24.30	1	EA	50	A
CHV4UGN	4 mm ² FD THRU HIGH VOLTAGE SC CL TB GRN	26.70	1	EA	50	A
CHV6U	6 mm ² FD THRU HIGH VOLTAGE SCREW CL TB	27.90	1	EA	50	A
CIP	ISOLATION PLUG ASSEMBLY FOR CCC4U/CXCC4	28.00	1	EA	50	B
CKT4SP	4 mm ² KNIF DISCON TEST SOCKT SP SW CL TB	66.70	1	EA	50	B
CKT4SPBK	4 mm ² KNIFE DISCONNECT SCREW CLMP TB BLK	73.40	1	EA	50	B
CKT4SPBU	4 mm ² KNIFE DISCONNECT SCREW CLAMP TB BU	73.40	1	EA	50	B
CKT4SPY	4 mm ² KNIFE DISCONNECT SCREW CLMP TB YLW	73.40	1	EA	50	B
CKT4U	4 mm ² KNIFE DISCON TEST SOCKET SW CL TB	41.90	1	EA	50	B
CKT4U/4	4 mm ² 4 WIRE KNIFE DISCON SCREW CL TB	77.50	1	EA	50	B
CKT4U/S	4 mm ² KNIFE DISCON SLOTTED SCREW CL TB	41.10	1	EA	50	B
CKT4U/SBU	4mm ² KNIFE DISCON SLOTTED SCRW CL TB BLU	45.20	1	EA	50	B
CKT4UBU	4 mm ² KNIFE DISCONNECT SCREW CL TB BLU	46.10	1	EA	50	B
CKT4UD1	4 mm ² 2 WIRE KNIFE DISCON SW CL DIODE TB	62.50	1	EA	50	B
CKT4UD2	4 mm ² 2 WIRE KNIFE DISCON SW CL DIODE TB	65.60	1	EA	50	B
CKT4UD2	4 mm ² 2 WIRE KNIFE DISCON SW CL DIODE TB	65.60	1	EA	50	B
CKT4UR	4 mm ² KNIFE DISCON TEST SOC SW CL TB RED	46.10	1	EA	50	B
CKT4UY	4 mm ² KNIFE DISCON TEST SOC SW CL TB YLW	46.10	1	EA	50	B

Part #	Description	List Price in ₹	Per	UOM	Std. Pack	Group
CKT6U	6 mm ² KNIFE DISCON TEST SOCKET SW CL TB	78.80	1	EA	50	B
CLP35/2	35 mm ² FD THRU 3 WIRE SCREW CLMP TB	188.00	1	EA	20	A
CM1.5S	1.5 mm ² PANEL MOUNT SPRING CLMP 2 WRE TB	7.40	1	EA	100	A
CM1.5S2	1.5 mm ² PANEL MOUNT SPRING CLMP 4 WRE TB	12.70	1	EA	100	A
CM1.5S2BK	1.5 mm ² PANEL MOUNT SP CL 4 WRE BLACK	14.00	1	EA	100	A
CM1.5S2BU	1.5 mm ² PANEL MOUNT SPRING CLMP 2 WRE TB	14.00	1	EA	100	A
CM1.5S2O	1.5 mm ² PANEL MOUNT SP CL 4 WRE ORANGE	14.00	1	EA	100	A
CM1.5S2R	1.5 mm ² PANEL MOUNT SP CL 4 WRE RED	14.00	1	EA	100	A
CM1.5S2Y	1.5 mm ² PANEL MOUNT SP CL 4 WRE YELLOW	14.00	1	EA	100	A
CM1.5S2YG	1.5 mm ² PANEL MOUNT SP CL 4W TB YLW GRN	14.00	1	EA	100	A
CM1.5SBK	1.5 mm ² PANEL MOUNT SP CL 2 WRE TB BLK	8.10	1	EA	100	A
CM1.5SBU	1.5 mm ² PANEL MOUNT SP CL 2 WRE TB BLU	8.10	1	EA	100	A
CM1.5SGN	1.5 mm ² PANEL MOUNT SP CL 2 WIRE GREEN	8.10	1	EA	100	A
CM1.5SO	1.5 mm ² PANEL MOUNT SP CL 2 WRE TB ORG	8.10	1	EA	500	A
CM1.5SR	1.5 mm ² PANEL MOUNT SP CL 2 WRE TB RED	8.10	1	EA	100	A
CM1.5SY	1.5 mm ² PANEL MOUNT SP CL 2 WRE TB YLW	8.10	1	EA	100	A
CM1.5SYG	1.5 mm ² PANEL MOUNT SP CL 2W TB YLW GRN	8.10	1	EA	100	A
CM2.5S	2.5 mm ² PANEL MOUNT SPRING CLMP 2 WRE TB	8.60	1	EA	100	A
CM2.5S2	2.5 mm ² PANEL MOUNT SPRING CLMP 4 WRE TB	16.10	1	EA	100	A
CM2.5S2BK	2.5 mm ² PANEL MOUNT SP CL 4 WRE TB BLK	17.70	1	EA	100	A
CM2.5S2BU	2.5 mm ² PANEL MOUNT SP CL 4 WRE TB BLU	17.70	1	EA	100	A
CM2.5S2GN	2.5 mm ² PANEL MOUNT SP CL 4 WRE TB GRN	17.70	1	EA	100	A
CM2.5S2O	2.5 mm ² PANEL MOUNT SP CL 4 WIRE TB ORG	17.70	1	EA	100	A
CM2.5S2R	2.5 mm ² PANEL MOUNT SPG CLMP 4WRE TB RED	17.70	1	EA	100	A
CM2.5S2W	2.5 mm ² PANEL MOUNT SP CL 4 WRE TB WHT	17.70	1	EA	100	A
CM2.5S2Y	2.5 mm ² PANEL MOUNT SP CL 4 WRE TB YLW	17.70	1	EA	100	A
CM2.5S2YG	2.5 mm ² PANEL MOUNT SP CL 4W TB YLW GRN	17.70	1	EA	100	A
CM2.5SBK	2.5 mm ² PANEL MOUNT SP CL 2 WRE TB BLK	9.50	1	EA	100	A
CM2.5SBU	2.5 mm ² PANEL MOUNT SP CL 2 WRE TB BLU	9.50	1	EA	100	A
CM2.5SGN	2.5 mm ² PANEL MOUNT SP CL 2 WRE TB GRN	9.50	1	EA	100	A
CM2.5SO	2.5 mm ² PANEL MOUNT SP CL 2 WRE TB ORG	9.50	1	EA	100	A
CM2.5SR	2.5 mm ² PANEL MOUNT SPG CLMP 2WRE TB RED	9.50	1	EA	100	A
CM2.5SY	2.5 mm ² PANEL MOUNT SP CL 2 WRE TB YLW	9.50	1	EA	100	A
CM2.5SYG	2.5 mm ² PANEL MOUNT SP CL 2W TB YLW GRN	9.50	1	EA	100	A
CM4S	4mm ² PANEL MOUNT SP CL SIDE ENTRY 2W TB	14.20	1	EA	100	A
CM4S2	4mm ² PANEL MOUNT SP CL SIDE ENTRY 4W TB	25.70	1	EA	100	A
CM4S2BK	4mm ² PANEL MOUNT SP CL SIDE ENTRY TB BLK	28.30	1	EA	100	A
CM4S2BU	4mm ² PANEL MOUNT SP CL SIDE ENTRY TB BLU	28.30	1	EA	100	A
CM4S2O	4mm ² PANEL MOUNT SP CL SIDE ENTRY TB ORG	28.30	1	EA	100	A
CM4S2R	4mm ² PANEL MOUNT SP CL SIDE ENTRY TB RED	28.30	1	EA	100	A
CM4S2Y	4mm ² PANEL MOUNT SP CL SIDE ENTRY TB YLW	28.30	1	EA	100	A
CM4S2YG	4mm ² PANEL MOUNT SP CL 4W TB YLW GRN	28.30	1	EA	100	A
CM4SBK	4mm ² PANEL MOUNT SP CL SIDE ENTRY TB BLK	15.60	1	EA	100	A
CM4SBU	4mm ² PANEL MOUNT SP CL SIDE ENTRY TB BLU	15.60	1	EA	100	A
CM4SGN	4mm ² PANEL MOUNT SP CL SIDE ENTRY TB GRN	15.60	1	EA	100	A
CM4SO	4mm ² PANEL MOUNT SP CL SIDE ENTRY TB ORG	15.60	1	EA	100	A
CM4SR	4mm ² PANEL MOUNT SP CL SIDE ENTRY TB RED	15.60	1	EA	100	A
CM4SY	4mm ² PANEL MOUNT SP CL SIDE ENTRY TB YLW	15.60	1	EA	100	A
CM4SYG	4mm ² PANEL MOUNT SP CL 2W TB YLW GRN	15.60	1	EA	100	A
CMB4	4 mm ² PANEL MOUNT SCREW CLAMP TERMINAL	13.10	1	EA	100	B
CMB4/10	4 mm ² PANEL MOUNT 10POLE SCREW CLAMP TB	157.60	1	EA	50	B

Part #	Description	List Price in ₹	Per	UOM	Std. Pack	Group
CMB4/12	4 mm ² PANEL MOUNT 12POLE SCREW CLAMP TB	190.30	1	EA	50	B
CMB4/2	4 mm ² PANEL MOUNT 2POLE SCREW CLAMP TB	32.80	1	EA	100	B
CMB4/3	4 mm ² PANEL MOUNT 3POLE SCREW CLAMP TB	52.50	1	EA	100	B
CMB4/4	4 mm ² PANEL MOUNT 4POLE SCREW CLAMP TB	65.70	1	EA	50	B
CMB4/6	4 mm ² PANEL MOUNT 6POLE SCREW CLAMP TB	94.50	1	EA	50	B
CMB4/7	4 mm ² PANEL MOUNT 7POLE SCREW CLAMP TB	111.50	1	EA	50	B
CMB4/8	4 mm ² PANEL MOUNT 8POLE SCREW CLAMP TB	131.00	1	EA	50	B
CMB4BG	4 mm ² PANEL MOUNT SCREW CLAMP TB BEIGE	14.40	1	EA	100	B
CMB4BK	4 mm ² PANEL MOUNT SCREW CLAMP TB BLACK	14.40	1	EA	100	B
CMB4BR	4 mm ² PANEL MOUNT SCREW CLAMP TB BROWN	14.40	1	EA	100	B
CMB4BU	4 mm ² PANEL MOUNT SCREW CLAMP TB BLUE	14.40	1	EA	100	B
CMB4GN	4 mm ² PANEL MOUNT SCREW CLAMP TB GREEN	14.40	1	EA	100	B
CMB4O	4 mm ² PANEL MOUNT SCREW CLAMP TB ORANGE	14.40	1	EA	100	B
CMB4R	4 mm ² PANEL MOUNT SCREW CLAMP TB RED	14.40	1	EA	100	B
CMB4W	4 mm ² PANEL MOUNT SCREW CLAMP TB WHT	14.40	1	EA	100	B
CMB4Y	4 mm ² PANEL MOUNT SCREW CLAMP TB YELLOW	14.40	1	EA	100	B
CMC1-2	4 mm ² MULTI CONNECTION 3 WIRE TERMINAL	27.40	1	EA	100	B
CMC1-2BK	4 mm ² MULTI CONNECTION 3 WIRE TB BLACK	30.10	1	EA	100	B
CMC1-2BU	4 mm ² MULTI CONNECTION 3 WIRE TB BLUE	30.10	1	EA	100	B
CMC1-2GN	4 mm ² MULTI CONNECTION 3 WIRE TB GREEN	30.10	1	EA	100	B
CMC1-2O	4 mm ² MULTI CONNECTION 3 WIRE TB ORG	30.10	1	EA	100	B
CMC1-2R	4 mm ² MULTI CONNECTION 3 WIRE TB RED	30.10	1	EA	100	B
CMC1-2W	4 mm ² MULTI CONNECTION 3 WIRE TB WHT	30.10	1	EA	100	B
CMC1-2Y	4 mm ² MULTI CONNECTION 3 WIRE TB YELLOW	30.10	1	EA	100	B
CMC2-2	4 mm ² MULTI CONNECTION 4 WIRE TERMINAL	38.40	1	EA	50	B
CMC2-2BG	4 mm ² MULTI CONNECTION 4 WIRE TB BGE	42.20	1	EA	50	B
CMC2-2BK	4 mm ² MULTI CONNECTION 4 WIRE TB BLACK	42.20	1	EA	50	B
CMC2-2BR	4 mm ² MULTI CONNECTION 4 WIRE TB BRN	42.20	1	EA	50	B
CMC2-2BU	4 mm ² MULTI CONNECTION 4 WIRE TB BLUE	42.20	1	EA	50	B
CMC2-2GN	4 mm ² MULTI CONNECTION 4 WIRE TB GREEN	42.20	1	EA	50	B
CMC2-2O	4 mm ² MULTI CONNECTION 4 WIRE TB ORG	42.20	1	EA	50	B
CMC2-2R	4 mm ² MULTI CONNECTION 4 WIRE TB RED	42.20	1	EA	50	B
CMC2-2W	4 mm ² MULTI CONNECTION 4 WIRE TB WHT	42.20	1	EA	50	B
CMC2-2Y	4 mm ² MULTI CONNECTION 4 WIRE TB YELLOW	42.20	1	EA	50	B
CMCG4	4 mm ² MULTI CONNECTION 4 WIRE GROUND TB	127.30	1	EA	50	B
CMDB10/10	20 X 10 mm ² DISTRIBUTION BLOCK	325.10	1	EA	5	B
CMDB10/10BK	20 X 10 mm ² DISTRIBUTION BLOCK BLACK	357.60	1	EA	5	B
CMDB10/10BU	20 X 10 mm ² DISTRIBUTION BLOCK BLUE	357.60	1	EA	5	B
CMDB10/10R	20 X 10 mm ² DISTRIBUTION BLOCK RED	357.60	1	EA	5	B
CMDB10/10Y	20 X 10 mm ² DISTRIBUTION BLOCK YELLOW	357.60	1	EA	5	B
CMDB10/2	4 X 10 mm ² DISTRIBUTION BLOCK	71.50	1	EA	10	B
CMDB10/2BU	4 X 10 mm ² DISTRIBUTION BLOCK BLUE	78.70	1	EA	10	B
CMDB10/2R	4 X 10 mm ² DISTRIBUTION BLOCK RED	78.70	1	EA	10	B
CMDB10/2Y	4 X 10 mm ² DISTRIBUTION BLOCK YELLOW	78.70	1	EA	10	B
CMDB10/3	6 X 10 mm ² DISTRIBUTION BLOCK	93.30	1	EA	10	B
CMDB10/3BK	6 X 10 mm ² DISTRIBUTION BLOCK BLACK	102.60	1	EA	10	B
CMDB10/3BU	6 X 10 mm ² DISTRIBUTION BLOCK BLUE	102.60	1	EA	10	B
CMDB10/3R	6 X 10 mm ² DISTRIBUTION BLOCK RED	102.60	1	EA	10	B
CMDB10/3Y	6 X 10 mm ² DISTRIBUTION BLOCK YELLOW	102.60	1	EA	10	B
CMDB10/4	8 X 10 mm ² DISTRIBUTION BLOCK	122.40	1	EA	5	B
CMDB10/4BK	8 X 10 mm ² DISTRIBUTION BLOCK BLACK	134.60	1	EA	5	B

Part #	Description	List Price in ₹	Per	UOM	Std. Pack	Group
CMDB10/4BU	8 X 10 mm ² DISTRIBUTION BLOCK BLUE	134.60	1	EA	5	B
CMDB10/4R	8 X 10 mm ² DISTRIBUTION BLOCK RED	134.60	1	EA	5	B
CMDB10/4Y	8 X 10 mm ² DISTRIBUTION BLOCK YELLOW	134.60	1	EA	5	B
CMDB10/8	16 X 10 mm ² DISTRIBUTION BLOCK	242.00	1	EA	5	B
CMDB10/8R	16 X 10 mm ² DISTRIBUTION BLOCK RED	266.20	1	EA	5	B
CMDB12	12WAY I/P 10mm ² X2 NOS O/P 4MM ² X10 NOS DB	300.30	1	EA	5	B
CMDB12	12WAY I/P 10mm ² X2 NOS O/P 4MM ² X10 NOS DB	300.30	1	EA	5	B
CMDB12BK	12WAY I/P 10mm ² X2 N O/P 4MM ² X10 N DB BLK	330.50	1	EA	5	B
CMDB12BU	12WAY I/P 10mm ² X2 N O/P 4MM ² X10 N DB BLU	330.50	1	EA	5	B
CMDB12GN	12WAY I/P 10mm ² X2 N O/P 4MM ² X10 N DB GRN	330.50	1	EA	5	B
CMDB12R	12WAY I/P 10mm ² X2 N O/P 4MM ² X10 N DB RED	330.50	1	EA	5	B
CMDB12Y	12WAY I/P 10mm ² X2 N O/P 4MM ² X10 N DB YLW	330.50	1	EA	5	B
CMDB12YG	12W I/P 10MM ² X2N O/P 4MM ² X10N DB ALT Y/G	330.50	1	EA	5	B
CMDB25/10	20 X 25 mm ² DISTRIBUTION BLOCK	740.60	1	EA	5	B
CMDB25/2	4 X 25 mm ² DISTRIBUTION BLOCK	153.10	1	EA	10	B
CMDB25/2BK	4 X 25 mm ² DISTRIBUTION BLOCK BLACK	168.40	1	EA	10	B
CMDB25/2BU	4 X 25 mm ² DISTRIBUTION BLOCK BLUE	168.40	1	EA	10	B
CMDB25/2R	4 X 25 mm ² DISTRIBUTION BLOCK RED	168.40	1	EA	10	B
CMDB25/2Y	4 X 25 mm ² DISTRIBUTION BLOCK YELLOW	168.40	1	EA	10	B
CMDB25/3	6 X 25 mm ² DISTRIBUTION BLOCK	211.30	1	EA	10	B
CMDB25/3BK	6 X 25 mm ² DISTRIBUTION BLOCK BLACK	232.40	1	EA	10	B
CMDB25/3BU	6 X 25 mm ² DISTRIBUTION BLOCK BLUE	232.40	1	EA	10	B
CMDB25/3R	6 X 25 mm ² DISTRIBUTION BLOCK RED	232.40	1	EA	10	B
CMDB25/3Y	6 X 25 mm ² DISTRIBUTION BLOCK YELLOW	232.40	1	EA	10	B
CMDB25/4	8 X 25 mm ² DISTRIBUTION BLOCK	275.10	1	EA	10	B
CMDB25/4BK	8 X 25 mm ² DISTRIBUTION BLOCK BLACK	302.60	1	EA	10	B
CMDB25/4BU	8 X 25 mm ² DISTRIBUTION BLOCK BLUE	302.60	1	EA	10	B
CMDB25/4R	8 X 25 mm ² DISTRIBUTION BLOCK RED	302.60	1	EA	10	B
CMDB25/4Y	8 X 25 mm ² DISTRIBUTION BLOCK YELLOW	302.60	1	EA	10	B
CMDB4/10	20 X 4 mm ² DISTRIBUTION BLOCK	210.50	1	EA	10	B
CMDB4/10BK	20 X 4 mm ² DISTRIBUTION BLOCK BLACK	240.00	1	EA	10	B
CMDB4/10BU	20 X 4 mm ² DISTRIBUTION BLOCK BLUE	240.00	1	EA	10	B
CMDB4/10GN	20 X 4 MM ² DISTRIBUTION BLOCK GREEN	240.00	1	EA	10	B
CMDB4/10O	20 X 4 MM ² DISTRIBUTION BLOCK ORANGE	240.00	1	EA	10	B
CMDB4/10R	20 X 4 mm ² DISTRIBUTION BLOCK RED	240.00	1	EA	10	B
CMDB4/10W	20 X 4 MM ² DISTRIBUTION BLOCK WHITE	240.00	1	EA	10	B
CMDB4/10Y	20 X 4 mm ² DISTRIBUTION BLOCK YELLOW	240.00	1	EA	10	B
CMDB4/2	4 X 4 mm ² DISTRIBUTION BLOCK	50.80	1	EA	10	B
CMDB4/2BK	4 X 4 mm ² DISTRIBUTION BLOCK BLACK	55.90	1	EA	10	B
CMDB4/2BU	4 X 4 mm ² DISTRIBUTION BLOCK BLUE	55.90	1	EA	10	B
CMDB4/2GN	4 X 4 mm ² DISTRIBUTION BLOCK GREEN	55.90	1	EA	10	B
CMDB4/2R	4 X 4 mm ² DISTRIBUTION BLOCK RED	55.90	1	EA	10	B
CMDB4/2Y	4 X 4 mm ² DISTRIBUTION BLOCK YELLOW	55.90	1	EA	10	B
CMDB4/3	6 X 4 mm ² DISTRIBUTION BLOCK	72.60	1	EA	10	B
CMDB4/3BK	6 X 4 mm ² DISTRIBUTION BLOCK BLACK	79.90	1	EA	10	B
CMDB4/3BU	6 X 4 mm ² DISTRIBUTION BLOCK BLUE	79.90	1	EA	10	B
CMDB4/3R	6 X 4 mm ² DISTRIBUTION BLOCK RED	79.90	1	EA	10	B
CMDB4/3Y	6 X 4 mm ² DISTRIBUTION BLOCK YELLOW	79.90	1	EA	10	B
CMDB4/4	8 X 4 mm ² DISTRIBUTION BLOCK	90.80	1	EA	10	B
CMDB4/4BG	8 X 4 MM ² DISTRIBUTION BLOCK BEIGE	99.90	1	EA	10	B
CMDB4/4BK	8 X 4 mm ² DISTRIBUTION BLOCK BLACK	99.90	1	EA	10	B

Part #	Description	List Price in ₹	Per	UOM	Std. Pack	Group
CMDB4/4BU	8 X 4 mm ² DISTRIBUTION BLOCK BLUE	99.90	1	EA	10	B
CMDB4/4GN	8 X 4 mm ² DISTRIBUTION BLOCK GREEN	99.90	1	EA	10	B
CMDB4/4O	8 X 4 mm ² DISTRIBUTION BLOCK ORANGE	99.90	1	EA	10	B
CMDB4/4R	8 X 4 mm ² DISTRIBUTION BLOCK RED	99.90	1	EA	10	B
CMDB4/4W	8 X 4 mm ² DISTRIBUTION BLOCK WHITE	99.90	1	EA	10	B
CMDB4/4Y	8 X 4 mm ² DISTRIBUTION BLOCK YELLOW	99.90	1	EA	10	B
CMDB4/6	12 X 4 mm ² DISTRIBUTION BLOCK	138.00	1	EA	5	B
CMDB4/6BK	12 X 4 mm ² DISTRIBUTION BLOCK BLACK	151.80	1	EA	5	B
CMDB4/6BU	12 X 4 mm ² DISTRIBUTION BLOCK BLUE	151.70	1	EA	5	B
CMDB4/6GN	12 X 4 mm ² DISTRIBUTION BLOCK GREEN	151.80	1	EA	5	B
CMDB4/6R	12 X 4 mm ² DISTRIBUTION BLOCK RED	151.80	1	EA	5	B
CMDB6/10	20 X 6 mm ² DISTRIBUTION BLOCK	272.00	1	EA	5	B
CMDB6/10BK	20 X 6 mm ² DISTRIBUTION BLOCK BLACK	299.20	1	EA	5	B
CMDB6/10BU	20 X 6 mm ² DISTRIBUTION BLOCK BLUE	299.20	1	EA	5	B
CMDB6/10GN	20 X 6 mm ² DISTRIBUTION BLOCK GREEN	299.20	1	EA	5	B
CMDB6/10R	20 X 6 mm ² DISTRIBUTION BLOCK	299.20	1	EA	5	B
CMDB6/10Y	20 X 6 mm ² DISTRIBUTION BLOCK	299.20	1	EA	5	B
CMDB6/2	4 X 6 mm ² DISTRIBUTION BLOCK	64.60	1	EA	10	B
CMDB6/2BK	4 X 6 mm ² DISTRIBUTION BLOCK BLACK	67.40	1	EA	10	B
CMDB6/2BU	4 X 6 mm ² DISTRIBUTION BLOCK BLUE	67.40	1	EA	10	B
CMDB6/2R	4 X 6 mm ² DISTRIBUTION BLOCK RED	67.40	1	EA	10	B
CMDB6/2W	4 X 6 mm ² DISTRIBUTION BLOCK WHITE	67.40	1	EA	10	B
CMDB6/2Y	4 X 6 mm ² DISTRIBUTION BLOCK YELLOW	67.40	1	EA	10	B
CMDB6/3	6 X 6 mm ² DISTRIBUTION BLOCK	85.70	1	EA	10	B
CMDB6/3BK	6 X 6 mm ² DISTRIBUTION BLOCK BLACK	94.30	1	EA	10	B
CMDB6/3BU	6 X 6 mm ² DISTRIBUTION BLOCK BLUE	94.30	1	EA	10	B
CMDB6/3R	6 X 6 mm ² DISTRIBUTION BLOCK RED	94.30	1	EA	10	B
CMDB6/3Y	6 X 6 mm ² DISTRIBUTION BLOCK YELLOW	94.30	1	EA	10	B
CMDB6/4	8 X 6 mm ² DISTRIBUTION BLOCK	111.30	1	EA	5	B
CMDB6/4BK	8 X 6 mm ² DISTRIBUTION BLOCK BLACK	122.40	1	EA	5	B
CMDB6/4BU	8 X 6 mm ² DISTRIBUTION BLOCK BLUE	122.40	1	EA	10	B
CMDB6/4GN	8 X 6 mm ² DISTRIBUTION BLOCK GREEN	122.40	1	EA	10	B
CMDB6/4R	8 X 6 mm ² DISTRIBUTION BLOCK RED	122.40	1	EA	10	B
CMDB6/4Y	8 X 6 mm ² DISTRIBUTION BLOCK YELLOW	122.40	1	EA	10	B
CMDB6/6	12 X 6 mm ² DISTRIBUTION BLOCK	149.40	1	EA	10	B
CMST4	6 mm ² M4 STUD TYP DISCONNECT MELAMINE TB	80.40	1	EA	50	C
CMST4BK	6 mm ² M4 STUD TYP DISCON MELAMINE TB BLK	88.50	1	EA	50	C
CMST4BU	6 mm ² M4 STUD TYP DISCON MELAMINE TB BLU	88.50	1	EA	50	C
CMST4R	6 mm ² M4 STUD TYP DISCON MELAMINE TB RED	88.50	1	EA	50	C
CMST4S	6 mm ² M4 STUD TYP DISCONNECT MELAMINE TB	83.40	1	EA	50	C
CMST4SBK	6 mm ² M4 STUD TYP DISCON MELAMINE BLK	91.80	1	EA	50	C
CMST4SBU	6 mm ² M4 STUD TYP DISCON MELAMINE BLU	91.80	1	EA	50	C
CMST4SH	6 mm ² M4 STUD TYPE DISCON SHORTED MEL TB	182.00	1	EA	25	C
CMST4SR	6 mm ² M4 STUD TYP DISCON MELAMINE RED	91.80	1	EA	50	C
CMST4SY	6 mm ² M4 STUD TYP DISCON MELAMINE YLW	91.80	1	EA	50	C
CMST4Y	6 mm ² M4 STUD TYP DISCON MELAMINE TB YLW	88.50	1	EA	50	C
CMS2.5	2.5 mm ² SPRING CL TB FOR DIN15 RAIL	13.10	1	EA	100	A
CMST1	2.5 mm ² 12 POLE STRIP MELAMINE TERMINAL	128.60	1	EA	20	B
CMST110W	2.5 mm ² 10 POLE STRIP MELAMINE TERMINAL	115.00	1	EA	20	B
CMST11W	2.5 mm ² 1 POLE STRIP MELAMINE TERMINAL	11.70	1	EA	240	B
CMST12W	2.5 mm ² 2 POLE STRIP MELAMINE TERMINAL	23.10	1	EA	120	B

Part #	Description	List Price in ₹	Per	UOM	Std. Pack	Group
CMST13W	2.5 mm ² 3 POLE STRIP MELAMINE TERMINAL	34.50	1	EA	80	B
CMST14W	2.5 mm ² 4 POLE STRIP MELAMINE TERMINAL	46.00	1	EA	60	B
CMST15W	2.5 mm ² 5 POLE STRIP MELAMINE TERMINAL	57.60	1	EA	40	B
CMST16W	2.5 mm ² 6 POLE STRIP MELAMINE TERMINAL	69.00	1	EA	40	B
CMST17W	2.5 mm ² 7 POLE STRIP MEL TERMINAL	80.50	1	EA	30	B
CMST18W	2.5 mm ² 8 POLE STRIP MELAMINE TERMINAL	91.90	1	EA	30	B
CMST19W	2.5 mm ² 9 POLE STRIP MELAMINE TERMINAL	103.50	1	EA	25	B
CMST2	2.5 mm ² 12 POLE SOLDERABLE STRIP MEL TB	128.60	1	EA	20	B
CMST210W	2.5 mm ² 10 POLE SOLDERABLE STRIP MEL TB	115.00	1	EA	20	B
CMST22W	2.5 mm ² 2 POLE SOLDERABLE STRIP MEL TB	23.10	1	EA	120	B
CMST24W	2.5 mm ² 4 POLE SOLDERABLE STRIP MEL TB	46.00	1	EA	60	B
CMST26W	2.5 mm ² 6 POLE SOLD STRIP MEL TB	69.00	1	EA	40	B
CMST28W	2.5 mm ² 8 POLE SOLDERABLE STRIP MEL TB	91.90	1	EA	30	B
CMSTPP	PARTITION PLATE FOR CMST SERIES TB	8.60	1	EA	10	B
CMT10	10 MM ² SCREW CLAMP TB FOR DIN15 RAIL	41.70	1	EA	100	B
CMT4	4 mm ² SCREW CLAMP TB FOR DIN15 RAIL	10.60	1	EA	100	B
CMT4BK	4 mm ² SCREW CLAMP TB FOR DIN15 RAIL BLK	11.70	1	EA	100	B
CMT4BR	4 mm ² SCREW CLAMP TB FOR DIN15 RAIL BRN	11.70	1	EA	100	B
CMT4BU	4 mm ² SCREW CLAMP TB FOR DIN15 RAIL BLU	11.70	1	EA	100	B
CMT4GN	4 mm ² SCREW CLAMP TB FOR DIN15 RAIL GRN	11.70	1	EA	100	B
CMT4KH	4mm ² SCREW CLAMP FOR DIN15 RAIL KHA	11.70	1	EA	100	B
CMT4O	4 mm ² SCREW CLAMP TB FOR DIN15 RAIL ORG	11.70	1	EA	100	B
CMT4R	4 mm ² SCREW CLAMP TB FOR DIN15 RAIL RED	11.70	1	EA	100	B
CMT4S	4 mm ² SCREW CLAMP TB FOR DIN15 RAIL	21.90	1	EA	50	B
CMT4W	4 mm ² SCREW CLAMP TB FOR DIN15 RAIL WHT	11.70	1	EA	100	B
CMT4Y	4 mm ² SCREW CLAMP TB FOR DIN15 RAIL YLW	11.70	1	EA	100	B
CMTB35	MOUNTING BASE SUITABLE FOR DIN35 RAIL	19.80	1	EA	50	B
CP1.5	1.5 mm ² FEED THRU PUSH IN TERMINAL BLOCK	13.10	1	EA	100	A
CP1.5/3	1.5 mm ² FEED THRU 3 WIRE PUSH IN TB	27.00	1	EA	100	A
CP1.5/3BU	1.5 mm ² FEED THRU 3 WIRE PUSH IN TB BLU	29.70	1	EA	100	A
CP1.5/4	1.5 mm ² FEED THRU 4 WIRE PUSH IN TB	29.80	1	EA	100	A
CP1.5/4BK	1.5 MM ² FEED THRU 4 WIRE PUSH IN TB BLK	32.80	1	EA	100	A
CP1.5/4BU	1.5 MM ² FEED THRU 4 WIRE PUSH IN TB BLU	32.80	1	EA	100	A
CP1.5/4R	1.5 MM ² FEED THRU 4 WIRE PUSH IN TB RED	32.80	1	EA	100	A
CP1.5/4Y	1.5 MM ² FEED THRU 4 WIRE PUSH IN TB YLW	32.80	1	EA	100	A
CP1.5BK	1.5 mm ² FEED THRU PUSH IN TB BLK	14.40	1	EA	100	A
CP1.5BU	1.5 mm ² FEED THRU PUSH IN TB BLU	14.40	1	EA	100	A
CP1.5R	1.5 mm ² FEED THRU PUSH IN TB RED	14.40	1	EA	100	A
CP2.5	2.5 mm ² FEED THRU PUSH IN TERMINAL BLOCK	13.90	1	EA	100	A
CP2.5/3	2.5mm ² FEED THRU 3 WIRE PUSH IN TB	30.10	1	EA	100	A
CP2.5/3BK	2.5mm ² PUSH IN FEED THRU 3WIRE TB BLK	33.10	1	EA	100	A
CP2.5/3BU	2.5mm ² PUSH IN FEED THRU 3WIRE TB BLU	33.10	1	EA	100	A
CP2.5/3R	2.5MM ² PUSH IN FEED THRU 3WIRE TB	33.10	1	EA	100	A
CP2.5/4	2.5mm ² FEED THRU 4 WIRE PUSH IN TB	32.10	1	EA	100	A
CP2.5/4BK	2.5mm ² PUSH IN FEED THRU 4WIRE TB BLK	35.30	1	EA	100	A
CP2.5/4BU	2.5mm ² PUSH IN FEED THRU 4WIRE TB BLU	35.30	1	EA	100	A
CP2.5/4GN	2.5mm ² PUSH IN FEED THRU 4WIRE TB GRN	35.30	1	EA	100	A
CP2.5/4R	2.5mm ² PUSH IN FEED THRU 4 WIRE TB RED	35.30	1	EA	100	A
CP2.5/4Y	2.5mm ² FEED THRU 4 WIRE PUSH IN TB YLW	35.30	1	EA	100	A
CP2.5BK	2.5 mm ² FEED THRU PUSH IN TB BLK	15.30	1	EA	100	A
CP2.5BU	2.5 mm ² FEED THRU PUSH IN TB BLU	15.30	1	EA	100	A

Part #	Description	List Price in ₹	Per	UOM	Std. Pack	Group
CP2.5GN	2.5 mm ² FEED THRU PUSH IN TB GRN	15.30	1	EA	100	A
CP2.5P	2.5 mm ² PUSH IN PLUG ASSLY	43.40	1	EA	50	A
CP2.5PD	2.5 mm ² DOUBLE PUSH IN PLUG ASSLY	59.00	1	EA	50	A
CP2.5PDL	2.5 mm ² DOUBLE PUSH IN PLUG LAST ELEMENT	59.00	1	EA	50	A
CP2.5PJ	2.5 mm ² PLUG ASSLY WITH SHORTING	50.10	1	EA	50	A
CP2.5PJL	2.5 mm ² PLUG ASSLY WTH SHORTING LAST ELE	50.10	1	EA	50	A
CP2.5PL	2.5 mm ² PUSH IN PLUG LAST ELEMENT	43.40	1	EA	50	A
CP2.5R	2.5 mm ² PUSH IN FEED THRU TERMINAL RED	15.30	1	EA	100	A
CP2.5Y	2.5 mm ² PUSH IN FEED THRU TERMINAL YLW	15.30	1	EA	100	A
CP4	4 mm ² FEED THRU PUSH IN TERMINAL BLOCK	23.70	1	EA	100	A
CP4/3	4 mm ² FEED THRU 3 WIRE PUSH IN TB	42.90	1	EA	50	A
CP4/3BK	4 mm ² PUSH IN FEED THRU 3 WIRE TB BLK	47.20	1	EA	50	A
CP4/3BU	4 mm ² PUSH IN FEED THRU 3 WIRE TB BLU	47.20	1	EA	50	A
CP4/3R	4 mm ² PUSH IN FEED THRU 3 WIRE TB RED	47.20	1	EA	50	A
CP4/3Y	4 mm ² PUSH IN FEED THRU 3 WIRE TB YLW	47.20	1	EA	50	A
CP4/4	4 mm ² FEED THRU 4 WIRE PUSH IN TB	48.90	1	EA	50	A
CP4/4BK	4 mm ² PUSH IN FEED THRU 4 WIRE TB BLK	53.80	1	EA	50	A
CP4/4BU	4 mm ² PUSH IN FEED THRU 4 WIRE TB BLU	53.80	1	EA	50	A
CP4/4R	4 mm ² PUSH IN FEED THRU 4 WIRE TB RED	53.80	1	EA	50	A
CP4/4Y	4 mm ² PUSH IN FEED THRU 4 WIRE TB YLW	53.80	1	EA	50	A
CP4BK	4 mm ² FEED THRU PUSH IN TB BLK	26.10	1	EA	100	A
CP4BU	4 mm ² FEED THRU PUSH IN TB BLU	26.10	1	EA	100	A
CP4L16	1.5 mm ² FD THRU 4LVL PUSH IN SP CL TB	336.00	1	EA	10	A
CP4L16(I.S)	1.5mm ² 4LVL PUSH IN SP CL INT SHRT TB	357.00	1	EA	10	A
CP4LG2.5	2.5 mm ² 4 LEVEL FEED THRU+GND PUSH IN TB	467.50	1	EA	30	A
CP4R	4 mm ² FEED THRU PUSH IN TB RED	26.10	1	EA	100	A
CP4Y	4 mm ² FEED THRU PUSH IN TB YLW	26.10	1	EA	100	A
CP6/10	10 mm ² FEED THRU PUSH IN TERMINAL BLOCK	78.60	1	EA	100	A
CP6/10/3	10 mm ² FEED THRU PUSH IN 3 WIRE TB	136.30	1	EA	50	A
CP6/10/3BK	10MM ² PUSH IN FEED THRU 3 WIRE TB BLACK	149.90	1	EA	50	A
CP6/10/3BU	10mm ² PUSH IN FEED THRU 3 WIRE TB BLUE	149.90	1	EA	50	A
CP6/10BK	10 mm ² FEED THRU PUSH IN TB BLACK	86.50	1	EA	100	A
CP6/10BU	10 mm ² FEED THRU PUSH IN TB BLU	86.50	1	EA	100	A
CP6/10R	10 mm ² PUSH IN FEED THRU TB RED	86.50	1	EA	100	A
CP6/10Y	10 mm ² PUSH IN FEED THRU TB YELLOW	86.50	1	EA	100	A
CP8L32	1.5 mm ² FEED THRU 8 LVL PUSH IN SP CL TB	446.10	1	EA	10	A
CP8L32(I.S)	1.5mm ² 8 LVL PUSH IN SP CLMP INT SHRT TB	602.00	1	EA	10	A
CP8L32(I.S)BK	1.5mm ² 8LVL PUSH IN SPCL INT SHRT TB BLK	662.20	1	EA	10	A
CP8L32(I.S)BU	1.5mm ² 8LVL PUSH IN SPCL INT SHRT TB BLU	662.20	1	EA	10	A
CP8L32(I.S)H	1.5mm ² 8 LVL PUSH IN SP CL INT SHRT HALF	662.20	1	EA	10	A
CP8L32(I.S)R	1.5mm ² 8LVL PUSH IN SPCL INT SHRT TB RED	662.20	1	EA	10	A
CP8L32BK	1.5 mm ² FD TH 8 LVL PUSH IN SP CL TB BLK	490.70	1	EA	10	A
CP8L32BU	1.5 mm ² FD TH 8 LVL PUSH IN SP CL TB BLU	490.70	1	EA	10	A
CPAF6	6MM ² PUSH-IN AUTOMOTIVE FUSE TB	185.00	1	EA	50	A
CPAF6L12V	6MM ² PUSH-IN AUTOMOTIVE FUSE TB 12V	203.00	1	EA	50	A
CPAF6L24V	6MM ² PUSH-IN AUTOMOTIVE FUSE TB 24V	203.00	1	EA	50	A
CPAF6L48V	6MM ² PUSH-IN AUTOMOTIVE FUSE TB 48V	203.00	1	EA	50	A
CPCC6	6MM ² COMPONENT CARRIER PUSH IN TB	220.50	1	EA	50	A
CPD1	DIODE PLUG FR CCC4U/CXCC4 TERMINAL BLOCK	41.90	1	EA	50	A
CPDL1.5	1.5mm ² 2 LEVEL PUSH IN SPRING CLAMP TB	33.00	1	EA	50	A
CPDL1.5(I.S)	1.5mm ² 2 LEVEL PUSH IN SP CL INT SHRT TB	44.80	1	EA	50	A

Part #	Description	List Price in ₹	Per	UOM	Std. Pack	Group
CPDL1.5BU	1.5mm ² 2 LEVEL PUSH IN SPRI CLAMP TB BLU	36.30	1	EA	50	A
CPDL2.5	2.5mm ² 2 LEVEL PUSH IN SPRING CLAMP TB	38.70	1	EA	50	A
CPDL2.5(E)D1	2.5 mm ² 2 LVL PUSH IN SP CL DIODE	117.40	1	EA	50	A
CPDL2.5(E)D2	2.5 mm ² 2 LVL PUSH IN SP CL DIODE	117.40	1	EA	50	A
CPDL2.5(E)D3	2.5 mm ² 2 LVL PUSH IN SP CL DIODE	117.40	1	EA	50	A
CPDL2.5(E)DD1	2.5 mm ² 2 LVL PUSH IN SP CL DIODE	117.40	1	EA	50	A
CPDL2.5(E)DD2	2.5 mm ² 2 LVL PUSH IN SP CL DIODE	117.40	1	EA	50	A
CPDL2.5(E)DD3	2.5 mm ² 2 LVL PUSH IN SP CL DIODE	117.40	1	EA	50	A
CPDL2.5(E)DD4	2.5 mm ² 2 LVL PUSH IN SP CL DIODE	117.40	1	EA	50	A
CPDL2.5(E)DD5	2.5 mm ² 2 LVL PUSH IN SP CL DIODE	117.40	1	EA	50	A
CPDL2.5(E)DD6	2.5 mm ² 2 LVL PUSH IN SP CL DIODE	117.40	1	EA	50	A
CPDL2.5(E)LD1240V	2.5 mm ² 2 LVL PUSH IN SP CL LED 1	120.10	1	EA	50	A
CPDL2.5(E)LD16-60V	2.5 mm ² 2 LEVEL PUSH IN SP CL LED	120.10	1	EA	50	A
CPDL2.5(I.S)	2.5mm ² 2 LEVEL PUSH IN INT SHRT SP CL TB	53.40	1	EA	50	A
CPDL2.5BK	2.5mm ² 2 LEVEL PUSH IN SPRNG CLMP TB BLK	42.60	1	EA	50	A
CPDL2.5BU	2.5mm ² 2 LEVEL PUSH IN SPRNG CLMP TB BLU	42.60	1	EA	50	A
CPDL2.5R	2.5mm ² 2 LEVEL PUSH IN SPRNG CLMP TB RED	42.60	1	EA	50	A
CPDL2.5Y	2.5mm ² 2 LEV PUSH IN SPRING CLAMP TB YLW	42.60	1	EA	50	A
CPDL4	4MM ² 2 LEVEL PUSH IN SPRING CLAMP TB	49.60	1	EA	50	A
CPDL4(I.S)	4MM ² 2 LEVEL PUSH IN SP CL INT SHRT TB	57.10	1	EA	50	A
CPDLF2.5	2.5mm ² 2 LEVEL PUSH IN SP CL FUSE TB	247.70	1	EA	50	A
CPDLF2.5L110-240V	2.5mm ² 2LVL PUSH IN SPCL FUSE TB 110-240V	292.70	1	EA	50	A
CPDLF2.5L6-60V	2.5mm ² 2 LVL PUSH IN SP CL FUSE TB 6-60V	292.70	1	EA	50	A
CPDLFK2.5	2.5mm ² 2LVL PUSH IN SP CL DISCON FUSE TB	272.00	1	EA	50	A
CPDLFK2.5L110-240V	2.5mm ² 2L PUSH IN SPCL DIS FUSE TB110-240V	338.20	1	EA	50	A
CPDLFK2.5L6-60V	2.5mm ² 2L PUSH IN SPCL DISC FUSE TB 6-60V	338.20	1	EA	50	A
CPDLG1.5	1.5 mm ² FEED THRU + GND PUSH IN SP CL TB	102.50	1	EA	50	A
CPDLG1.5(I.S)	1.5mm ² GND INT SHRT PUSH IN TB	117.20	1	EA	50	A
CPDLG2.5	2.5 mm ² FEED THRU + GND PUSH IN SP CL TB	123.60	1	EA	50	A
CPDLG2.5(I.S)	2.5mm ² GND INT SHRT PUSH IN TB	154.60	1	EA	50	A
CPDLG4	4MM ² 2 LEVEL PUSH IN SPRING CLAMP GND TB	149.10	1	EA	50	A
CPDLG4(I.S)	4MM ² 2 LVL PUSH IN SP CL INT SHRT GND TB	171.30	1	EA	50	A
CPDLK2.5	2.5mm ² 4W DOUBLE LVL KNIFEDISCON SPCL	198.90	1	EA	50	A
CPDLK2.5(I.S)	2.5mm ² 4W DOUBLE LVL KNIFEDISCON IS SPCL	228.40	1	EA	50	A
CPDLKFT2.5	2.5mm ² 4W DOUBLE TOP LVL KNIFEDISCON SPC	188.70	1	EA	50	A
CPF	FUSE PLUG FR CCC4U/CXCC4 TERMINAL BLOCK	39.00	1	EA	50	A
CPF4	4mm ² PUSH IN FUSE TB	76.40	1	EA	50	A
CPF4L110-240V	4mm ² PUSH IN FUSE TB 110-240V	118.80	1	EA	50	A
CPF4L6-60V	4mm ² PUSH IN FUSE TB 6-60V	118.80	1	EA	50	A
CPF6	6MM ² PUSH IN FUSE TB	200.00	1	EA	50	A
CPF6L110-240V	6MM ² PUSH IN FUSE TB 110-240V	225.00	1	EA	50	A
CPF6L6-60V	6MM ² PUSH IN FUSE TB 6-60V	225.00	1	EA	50	A
CPFL110-240V	FUSE PLUG LED 110-240V FR CCC4U/CXCC	65.70	1	EA	50	A
CPFL6-60V	FUSE PLUG LED 6-60V FOR CCC4U/CXCC4	65.70	1	EA	50	A
CPG1.5	1.5 mm ² PUSH IN GROUND TERMINL	69.20	1	EA	100	A
CPG1.5/3	1.5 mm ² GND 3 WIRE PUSH IN TB	93.20	1	EA	50	A
CPG1.5/4	1.5 mm ² GND 4 WIRE PUSH IN TB	115.80	1	EA	100	A
CPG2.5	2.5 mm ² FEED THRU PUSH IN GROUND TERMINL	88.80	1	EA	100	A
CPG2.5/3	2.5 mm ² 3 WIRE PUSH IN GND TB	130.60	1	EA	100	A
CPG2.5/4	2.5 mm ² GND 4 WIRE PUSH IN TB	133.20	1	EA	100	A
CPG4	4 mm ² PUSH IN GROUND TERMINAL BLOCK	89.80	1	EA	100	A

Part #	Description	List Price in ₹	Per	UOM	Std. Pack	Group
CPG4/3	4 mm ² GND 3 WIRE PUSH IN TB	135.10	1	EA	50	A
CPG4/4	4 mm ² GND 4 WIRE PUSH IN TB	146.30	1	EA	50	A
CPG6/10	10 mm ² PUSH IN GROUND TERMINAL BLOCK	225.10	1	EA	100	A
CPG6/10/3	10 mm ² 3 WIRE PUSH IN GROUND TERMINAL	246.50	1	EA	50	A
CPK2.5	2.5mm ² 2 WIRE PUSH IN DISCON TB	52.60	1	EA	100	A
CPK2.5BU	2.5mm ² 2 WIRE PUSH IN DISCON TB BLU	57.90	1	EA	100	A
CPK4	4mm ² 2 WIRE PUSH IN DISCON TB	100.80	1	EA	100	A
CPK6	6MM ² 2 WIRE PUSH IN DISCONNECT TB	241.50	1	EA	50	A
CPPT2.5/3	2.5 mm ² 3 WIRE PUSH IN POWER TB	139.20	1	EA	50	A
CPPTG2.5/4	2.5 mm ² 4 WIRE PUSH IN POWER GND TB	236.60	1	EA	100	A
CPST1.5/3	1.5 mm ² 3 WIRE PUSH IN SENSOR TB	107.60	1	EA	50	A
CPST1.5/3L110-240V	1.5 mm ² 3 WIRE PUSH IN SENSOR TB110-240V	164.40	1	EA	50	A
CPST1.5/3L6-60V	1.5 mm ² 3 WIRE PUSH IN SENSOR TB6-60V	126.50	1	EA	50	A
CPST1.5/4	1.5 mm ² 4 WIRE PUSH IN SENSOR TB	139.20	1	EA	50	A
CPST1.5/4L110-240V	1.5 mm ² 4 WIRE PUSH IN SENSOR TB110-240V	205.60	1	EA	50	A
CPST1.5/4L6-60V	1.5 mm ² 4 WIRE PUSH IN SENSOR TB6-60V	158.20	1	EA	50	A
CPSTG1.5/4	1.5 mm ² 4 WIRE PUSH IN SENSOR GND TB	194.80	1	EA	100	A
CPSTG1.5/4L110-240	1.5 mm ² 4 WIRE PUSH IN SEN GND TB110-240	280.50	1	EA	50	A
CPSTG1.5/4L6-60V	1.5 mm ² 4 WIRE PUSH IN SEN GND TB6-60V	280.50	1	EA	50	A
CPTL2.5	2.5mm ² 3 LEVEL PUSH IN SPRING CLMP TB	102.30	1	EA	50	A
CPTL2.5(I.S)	2.5mm ² 3 LVL PUSH IN SPR CL INT SHRT TB	127.40	1	EA	50	A
CPTLG2.5	2.5mm ² FEED THRU + GND PUSH IN SP CL TB	190.60	1	EA	50	A
CPTLG2.5(I.S)	2.5mm ² GND INT SHRT PUSH IN TB	216.00	1	EA	50	A
CSB3/N3U	6mm ² M3 STUD TYP SCREW/NUT DRIVER OPRTD	32.10	1	EA	100	B
CSB3/N3UBK	6mm ² M3 STUD SCRW/NUT DRVR OPRTD BLK	35.30	1	EA	100	B
CSB3/N3UBU	6mm ² M3 STUD SCRW/NUT DRVR OPRTD BLU	35.30	1	EA	100	B
CSB3/N3UGN	6mm ² M3 STUD TYP SCRW/NUT DRIV OPRTD GRN	35.30	1	EA	100	B
CSB3/N3UL	6mm ² M3 STUD TYP SCREW/NUT DRIVER OPRTD	33.10	1	EA	100	B
CSB3/N3ULBK	6mm ² M3 STUD TYP SCRW/NUT DRVR OPRTD BLK	36.40	1	EA	100	B
CSB3/N3ULBU	6mm ² M3 STUD SCRW/NUT DRVR OPRTD BLU	36.40	1	EA	100	B
CSB3/N3ULGN	6mm ² M3 STUD SCREW/NUT DRIVER OPRTD GRN	36.40	1	EA	100	B
CSB3/N3ULR	6mm ² M3 STUD TYP SCRW/NUT DRVR OPRTD RED	36.40	1	EA	100	B
CSB3/N3ULY	6mm ² M3 STUD TYP SCRW/NUT DRVR OPRTD YLW	36.40	1	EA	100	B
CSB3/N3UO	6mm ² M3 STUD TYP SCRW/NUT DRIV OPRTD ORG	35.30	1	EA	100	B
CSB3/N3UR	6mm ² M3 STUD SCRW/NUT DRVR OPRTD RED	35.30	1	EA	100	B
CSB3/N3USH	6mm ² M3 STUD SHROUD TYP SCRW/NUT DRV OP	40.60	1	EA	100	B
CSB3/N3UY	6mm ² M3 STU SCRW/NUT DRVR OPRTD YLW	35.30	1	EA	100	B
CSB4/N4UL	10mm ² M4 STUD SCREW/NUT DRIVER OPRTD	41.80	1	EA	100	B
CSB4/N4UN	10mm ² M4 STUD SCREW/NUT DRIVER OPRTD	43.40	1	EA	100	B
CSB4/N4USH	10mm ² M4 STUD SHROUD TYP SCRW/NUT DRV OP	46.90	1	EA	100	B
CSB4/N4USHBK	10mm ² M4 STD SHR TYP SCRW/NUT DRV OP BLK	51.60	1	EA	100	B
CSB4/N4USHBU	10mm ² M4 STD SHR TYP SCRW/NUT DRV OP BLU	51.60	1	EA	100	B
CSB4/N4USHR	10mm ² M4 STD SHR TYP SCRW/NUT DRV OP RED	51.60	1	EA	100	B
CSB4/N4USHY	10mm ² M4 STD SHR TYP SCRW/NUT DRV OP YLW	51.60	1	EA	100	B
CSB5/N5U	16mm ² M4 STUD SCREW/NUT DRIVER OPRTD	48.80	1	EA	100	B
CSB5/N5UBK	16mm ² M4 STUD SCREW/NUT DRIV OPRTD BLK	53.70	1	EA	100	B
CSB5/N5UBU	16mm ² M4 STUD SCREW/NUT DRIV OPRTD BLU	53.70	1	EA	100	B
CSB5/N5UGN	16mm ² M4 STUD SCREW/NUT DRIV OPRTD GRN	53.70	1	EA	100	B
CSB5/N5UR	16mm ² M4 STUD SCREW/NUT DRIV OPRTD RED	53.70	1	EA	100	B
CSB5/N5USH	16mm ² M5 STUD SHROUD TYP SCRW/NUT DRV OP	53.60	1	EA	100	B
CSB5/N5UY	16mm ² M4 STUD SCREW/NUT DRIV OPRTD YLW	53.70	1	EA	100	B

Part #	Description	List Price in ₹	Per	UOM	Std. Pack	Group
CSC16/3T	16 mm ² FEED THRU SPRING CLAMP 3 WIRE TB	162.30	1	EA	50	A
CSC16T	16 mm ² FEED THRU SPRING CLAMP TERMINAL	97.80	1	EA	50	A
CSC16TBK	16 mm ² FEED THRU SPRING CLAMP TB BLACK	107.60	1	EA	50	A
CSC16TBU	16 mm ² FEED THRU SPRING CLAMP TB BLUE	107.60	1	EA	50	A
CSC16TGN	16 mm ² FEED THRU SPRING CLAMP TB GREEN	107.60	1	EA	50	A
CSC16TR	16 mm ² FEED THRU SPRING CLAMP TB RED	107.60	1	EA	50	A
CSC16TY	16 mm ² FEED THRU SPRING CLAMP TB YELLOW	107.60	1	EA	50	A
CSCG16/3T	16 mm ² GND SPRING CLAMP 3 WIRE TB	260.30	1	EA	25	A
CSCG16T	16 mm ² FEED THRU SP CL GROUNDING TB	235.80	1	EA	50	A
CSCP2.5T	2.5 mm ² PANEL MOUNT SPRING CL 2 WIRE TB	14.40	1	EA	100	A
CSCP2.5T2	2.5 mm ² PANEL MOUNT SPRING CL 4 WIRE TB	23.00	1	EA	50	A
CSCP2.5T2BK	2.5 mm ² PANEL MOUNT SP CL 4 WIRE TB BLK	25.30	1	EA	50	A
CSCP2.5T2BR	2.5 mm ² PANEL MOUNT SP CL 4 WIRE TB BRN	25.30	1	EA	50	A
CSCP2.5T2BU	2.5 mm ² PANEL MOUNT SP CL 4 WIRE TB BLU	25.30	1	EA	50	A
CSCP2.5T2GN	2.5 mm ² PANEL MOUNT SP CL 4 WIRE TB GRN	25.30	1	EA	50	A
CSCP2.5T2R	2.5 mm ² PANEL MOUNT SP CL 4 WIRE TB RED	25.30	1	EA	50	A
CSCP2.5T2W	2.5SQ FDTHRU SP CL PMPA TBWHT4CONN	25.30	1	EA	50	A
CSCP2.5TBK	2.5 mm ² PANEL MOUNT SP CL 2 WIRE TB BLK	15.80	1	EA	100	A
CSCP2.5TBU	2.5 mm ² PANEL MOUNT SP CL 2 WIRE TB BLU	15.80	1	EA	100	A
CSCP2.5TGN	2.5 mm ² PANEL MOUNT SP CL 2 WIRE TB GRN	15.80	1	EA	100	A
CSCP2.5TO	2.5 mm ² PANEL MOUNT SP CL 2 WIRE TB ORG	15.80	1	EA	100	A
CSCP2.5TR	2.5 mm ² PANEL MOUNT SP CL 2 WIRE TB RED	15.80	1	EA	100	A
CSCP2.5TW	2.5 mm ² PANEL MOUNT SP CL 2 WIRE TB WHT	15.80	1	EA	100	A
CSCP2.5TY	2.5 mm ² PANEL MOUNT SP CL 2 WIRE TB YLW	15.80	1	EA	100	A
CSDL4U	4 mm ² DISCONNECT SCREW CLAMP TERMINAL	63.80	1	EA	100	B
CSE5U	16mm ² M5 SCRW BARRIER TYP EARTH TERMINAL	56.70	1	EA	100	B
CSN4U	10mm ² M4 STUD TYP SCREW/NUT DRIVER OPRTD	48.40	1	EA	100	B
CSN5U	16mm ² M5 STUD TYP SCREW/NUT DRIVER OPRTD	51.80	1	EA	100	B
CSN6	35mm ² M6 26MM PITCH STUD TYPE TB	77.40	1	EA	50	B
CSP1	MOUNTING SUPPORT FOR CTSPC WITH NUT	21.50	1	EA	100	B
CSP1-NUT	HOLDING PLATE NUT FOR CTSPC GRY	4.40	1	EA	1	B
CSP2	MOUNTING SUPPORT PLATE WITH NUT	42.90	1	EA	25	B
CSTSB3	6mm ² M3 STUD SCREW DRVR OPTD MELAMINE TB	38.20	1	EA	100	C
CSTSB3BK	6mm ² M3 STUD SCREW DRVR OPTD MEL TB BLK	42.00	1	EA	100	C
CSTSB3BU	6mm ² M3 STUD SCREW DRVR OPTD MEL TB BLU	42.00	1	EA	100	C
CSTSB3R	6mm ² M3 STUD SCREW DRVR OPTD MEL TB RED	42.00	1	EA	100	C
CSTSB3Y	6mm ² M3 STUD SCREW DRVR OPTD MEL TB YLW	42.00	1	EA	100	C
CSTSB4/N4	10mm ² M4 STUD SCREW/NUT DRVR OPTD MEL TB	47.90	1	EA	100	C
CSTSB4/N4BK	10mm ² M4 STUD SCRWNUT DRVR OPTD MEL BLK	52.70	1	EA	100	C
CSTSB4/N4BU	10mm ² M4 STUD SCRWNUT DRVR OPTD MEL BLU	52.70	1	EA	100	C
CSTSB4/N4R	10mm ² M4 STUD SCRWNUT DRVR OPTD MEL RED	52.70	1	EA	100	C
CSTSB4/N4Y	10mm ² M4 STUD SCRWNUT DRVR OPTD MEL YLW	52.70	1	EA	100	C
CSTSB4-14MM	STUD TYPE MEL TB KHA (M4 SCR & 14MM BN)	60.30	1	EA	100	C
CSTSB4-16MM	10mm ² M4 16MM STUD SCRWNUT DRVR OPTD MEL TB	60.30	1	EA	100	C
CSTSB4N-12MM	STUD TYPE MEL TB(NEW)KHA(M4 SCR&12MM BN)	60.30	1	EA	100	C
CSTSB4NR-12MM	10mm ² M4 STUD SCREW DRVR OPTD MEL TB RED	66.30	1	EA	100	C
CSTSB4NY-12MM	10mm ² M4 STUD SCREW DRVR OPTD MEL TB YLW	66.30	1	EA	100	C
CSTSB5	16mm ² M5 STUD SCREW DRVR OPTD MELAMINE TB	57.20	1	EA	100	C
CSTSB5BU	16mm ² M5 STUD SCREW DRVR OPTD MEL TB BLU	62.90	1	EA	100	C
CSTSB5R	16mm ² M5 STUD SCREW DRVR OPTD MEL TB RED	62.90	1	EA	100	C
CSTSB5Y	16mm ² M5 STUD SCREW DRVR OPTD MEL TB YLW	62.90	1	EA	100	C

Part #	Description	List Price in ₹	Per	UOM	Std. Pack	Group
CSTSEP2	END PLATE FOR CSTSN4/N5/B4/B5	10.30	1	EA	50	C
CSTSEP2BK	END PLT FR CSTSN4/N5/B4/B5 BLK	11.40	1	EA	50	C
CSTSN4	10mm ² M4 STUD NUT DRVR OPTD MELAMINE TB	59.20	1	EA	100	C
CSTSN415P	10mm ² M4(15P) STUD NUT DRVR OPTD MEL TB	57.80	1	EA	100	C
CSTSN415P(SMLNUT)	10mm ² M4(15P) STUD SML NUT DRVR OPTD MEL	57.80	1	EA	100	C
CSTSN415PBU	10mm ² M4(15P) STUD NUT DRVR OPTD MEL BLU	63.60	1	EA	100	C
CSTSN415PR	10mm ² M4(15P) STUD NUT DRVR OPTD MEL RED	63.60	1	EA	100	C
CSTSN4BK	10mm ² M4 STUD NUT DRVR OPTD MEL TB BLK	65.00	1	EA	100	C
CSTSN4BU	10mm ² M4 STUD NUT DRVR OPTD MEL TB BLU	65.00	1	EA	100	C
CSTSN4R	10mm ² M4 STUD NUT DRVR OPTD MEL TB RED	65.00	1	EA	100	C
CSTSN4U	10mm ² M4 STUD NUT DRIVER OPERATED TB	44.10	1	EA	100	B
CSTSN4UBK	10mm ² M4 STUD NUT DRIVER OPTD TB BLACK	48.50	1	EA	100	B
CSTSN4UBR	10mm ² M4 STUD NUT DRIVER OPTD TB BRN	48.50	1	EA	100	B
CSTSN4UBU	10mm ² M4 STUD NUT DRIVER OPTD TB BLUE	48.50	1	EA	100	B
CSTSN4UGN	10mm ² M4 STUD NUT DRIVER OPTD TB GREEN	48.50	1	EA	100	B
CSTSN4UO	10mm ² M4 STUD NUT DRIVER OPTD TB ORG	48.50	1	EA	100	B
CSTSN4UR	10mm ² M4 STUD NUT DRIVER OPTD TB RED	48.50	1	EA	100	B
CSTSN4UY	10mm ² M4 STUD NUT DRIVER OPTD TB YLW	48.50	1	EA	100	B
CSTSN4Y	10mm ² M4 STUD NUT DRVR OPTD MEL TB YLW	65.00	1	EA	100	C
CSTSN5	16mm ² M5 STUD NUT DRVR OPTD MELAMINE TB	60.50	1	EA	100	C
CSTSN515P	16mm ² M5(15P) STUD NUT DRVR OPTD MEL TB	60.80	1	EA	100	C
CSTSN515PN	16mm ² M5(15P) STUD NUT DRVR OPTD MEL 'E'	60.40	1	EA	100	C
CSTSN5BK	16mm ² M5 STUD NUT DRVR OPTD MEL TB BLK	66.40	1	EA	100	C
CSTSN5BU	16mm ² M5 STUD NUT DRVR OPTD MEL TB BLU	66.40	1	EA	100	C
CSTSN5R	16mm ² M5 STUD NUT DRVR OPTD MEL TB RED	66.40	1	EA	100	C
CSTSN5U	16mm ² M5 STUD NUT DRIVER OPERATED TB	48.50	1	EA	100	B
CSTSN5UBK	16mm ² M5 STUD NUT DRIVER OPTD TB BLACK	53.40	1	EA	100	B
CSTSN5UBU	16mm ² M5 STUD NUT DRIVER OPTD TB BLUE	53.40	1	EA	100	B
CSTSN5UGN	16mm ² M5 STUD NUT DRIVER OPTD TB GRN	53.40	1	EA	100	B
CSTSN5UR	16mm ² M5 STUD NUT DRIVER OPTD TB RED	53.40	1	EA	100	B
CSTSN5UY	16mm ² M5 STUD NUT DRIVER OPTD TB YELLOW	53.40	1	EA	100	B
CSTSN5Y	16mm ² M5 STUD NUT DRVR OPTD MEL TB YLW	66.60	1	EA	100	C
CSTSN6	35mm ² M6 STUD NUT DRVR OPTD MELAMINE TB	84.50	1	EA	100	C
CSTSN6BK	35mm ² M6 STUD NUT DRVR OPTD MEL TB BLK	93.10	1	EA	100	C
CSTSN6BU	35mm ² M6 STUD NUT DRVR OPTD MEL TB BLU	93.10	1	EA	100	C
CSTSN6R	35mm ² M6 STUD NUT DRVR OPTD MEL TB RED	93.10	1	EA	100	C
CSTSN6U	35mm ² M6 STUD NUT DRIVER OPERATED TB	69.60	1	EA	100	B
CSTSN6UBK	35mm ² M6 STUD NUT DRIVER OPTD TB BLACK	76.60	1	EA	100	B
CSTSN6UBU	35mm ² M6 STUD NUT DRIVER OPTD TB BLUE	76.60	1	EA	100	B
CSTSN6UE	35mm ² M6 STUD TYP NUT DRIVER OPERTD	58.00	1	EA	100	B
CSTSN6UGN	35mm ² M6 STUD NUT DRIVER OPTD TB GREEN	76.60	1	EA	100	B
CSTSN6UR	35mm ² M6 STUD NUT DRIVER OPTD TB RED	76.60	1	EA	100	B
CSTSN6USH	35mm ² M6 STUD SHROUD TYP NUT DRIVER OPRT	78.20	1	EA	100	B
CSTSN6USHBK	35mm ² M6 STUD SHROUD TY NUT DRIV OPR BLK	86.00	1	EA	100	B
CSTSN6USHBU	35mm ² M6 STUD SHROUD TY NUT DRIV OPR BLU	86.00	1	EA	100	B
CSTSN6USHR	35mm ² M6 STUD SHROUD TY NUT DRIV OPR RED	86.00	1	EA	100	B
CSTSN6USHY	35mm ² M6 STUD SHROUD TY NUT DRIV OPR YLW	86.00	1	EA	100	B
CSTSN6UY	35mm ² M6 STUD NUT DRIVER OPTD TB YLW	76.60	1	EA	100	B
CSTSN6Y	35mm ² M6 STUD NUT DRVR OPTD MEL TB YLW	93.10	1	EA	100	C
CSTSPC1	PROTECTIVE COVER FOR 2nos 17mm WIDE TB	16.60	1	EA	100	B
CSTSPC1-1	PROTECTIVE COVER FOR 3nos 17mm WIDE TB	21.70	1	EA	100	B

Part #	Description	List Price in ₹	Per	UOM	Std. Pack	Group
CSTSPC1-2	PROTECTIVE COVR FR CSTSB3/B4/N4/N5 105mm	55.60	1	EA	50	B
CSTSPC1-3	PROTECTIVE COVR FR CSTSB3/B4/N4/N5 200mm	81.60	1	EA	10	B
CSTSPC1-4	PROTECTIVE COVR FR CSTSB3/B4/N4/N5 300mm	127.20	1	EA	10	B
CSTSPC1-5	PROTECTIVE COVER FOR CSTSB4/N4 100mm	46.40	1	EA	50	B
CSTSPC1-6	PROTECTIVE COVER FOR CSTSB4/N4 200mm	77.70	1	EA	10	B
CSTSPC1-7	PROTECTIVE COVER FOR CSTSB4/N4 300mm	119.60	1	EA	10	B
CSTSPC2	PROTECTIVE COVER FOR 2nos 13mm WIDE TB	16.60	1	EA	100	B
CSTSPC2-1	PROTECTIVE COVER FOR 3nos 13mm WIDE TB	21.70	1	EA	100	B
CSTSPC3	PROTECTIVE COVER FOR 2nos 10mm WIDE TB	14.90	1	EA	100	B
CSTSPC3-1	PROTECTIVE COVER FOR 3nos 10mm WIDE TB	19.50	1	EA	100	B
CSTSPC4	PROTECTIVE COVER FOR 2nos 15mm WIDE TB	18.00	1	EA	10	B
CSTSPC4-1	PROTECTIVE COVER FOR 3nos 15mm WIDE	24.20	1	EA	100	B
CSTSP	PARTITION PLATE FOR CSTSN4/N5/N6	20.50	1	EA	50	B
CSTSREP	END PLATE FR CSTSRN5/RN6	14.30	1	EA	50	B
CSTSREPBK	MEL END PLT FR CSTSRN5/RN6 BLK	15.70	1	EA	50	B
CSTSRN5	16mm ² M5 STUD NUT DRVR OPTD MELAMINE TB	83.20	1	EA	50	C
CSTSRN5BK	16mm ² M5 STUD NUT DRVR OPTD MEL BLK	91.50	1	EA	50	C
CSTSRN5BU	16mm ² M5 STUD NUT DRVR OPTD MEL BLU	91.50	1	EA	50	C
CSTSRN5R	16mm ² M5 STUD NUT DRVR OPTD MEL RED	91.50	1	EA	50	C
CSTSRN5Y	16mm ² M5 STUD NUT DRVR OPTD MEL YLW	91.50	1	EA	50	C
CSTSRN6	35mm ² M6 STUD NUT DRVR OPTD MELAMINE TB	111.10	1	EA	50	C
CSTSRN6BK	35mm ² M6 STUD NUT DRVR OPTD MEL TB BLK	122.30	1	EA	50	C
CSTSRN6BU	35mm ² M6 STUD NUT DRVR OPTD MELTB BLU	122.30	1	EA	50	C
CSTSRN6R	35mm ² M6 STUD NUT DRVR OPTD MEL TB RED	122.30	1	EA	50	C
CSTSRN6Y	35mm ² M6 STUD NUT DRVR OPTD MEL TB YLW	122.30	1	EA	50	C
CTC4U	4 mm ² TAB CONNECTION TERMINAL BLOCK	31.40	1	EA	100	A
CTL2.5U	2.5 mm ² 3 LEVEL SCRWB CLMP TERMINAL BLOCK	79.70	1	EA	50	B
CTL2.5U(I.S)	2.5 mm ² 3 LEVEL INTR SHRTD SCREW CLMP TB	88.00	1	EA	50	B
CTL2.5U(I.S)GN	2.5 mm ² 3 LEVEL INTR SHRTD SW CL TB GRN	96.80	1	EA	50	B
CTL2.5UBK	2.5 mm ² 3 LEVEL SCREW CLAMP TB BLACK	87.70	1	EA	50	B
CTL2.5UBR	2.5 mm ² 3 LEVEL SCREW CLAMP TB BRN	87.70	1	EA	50	B
CTL2.5UBU	2.5 mm ² 3 LEVEL SCREW CLAMP TB BLUE	87.70	1	EA	50	B
CTL2.5UED5	2.5 mm ² 3 LEVEL SCREW CLAMP DIODE D5 TB	154.00	1	EA	50	B
CTL2.5UGN	2.5 mm ² 3 LEVEL SCREW CLAMP TB GREEN	87.70	1	EA	50	B
CTL2.5UH	2.5 mm ² 3 LEVEL 4 WIRE SCREW CLAMP TB	47.90	1	EA	50	B
CTL2.5UH(I.S)	2.5 mm ² 3 LVL 4 WIRE SW CL INTR SHRTD TB	81.20	1	EA	50	B
CTL2.5UH(I.S)D2	2.5 mm ² 3LVL 4 WIRE SW CL INTR SHRTD D2	89.20	1	EA	50	B
CTL2.5UHBU	2.5 mm ² 3 LEVEL 4 WRE SCREW CLAMP TB BLU	52.70	1	EA	50	B
CTL2.5UHL110V	2.5 mm ² 3 LVL 4 WIRE SW CL LED 110V TB	84.80	1	EA	50	B
CTL2.5UHL12V	2.5 mm ² 3 LVL 4 WIRE SW CL LED 12V TB	84.80	1	EA	50	B
CTL2.5UHL24V	2.5 mm ² 3 LVL 4 WIRE SW CL LED 24V TB	84.80	1	EA	50	B
CTL2.5UL110V	2.5 mm ² 3 LEVEL SCREW CLAMP LED 110V TB	114.30	1	EA	50	B
CTL2.5UL12V	2.5 mm ² 3 LEVEL SCREW CLAMP LED 12V TB	114.30	1	EA	50	B
CTL2.5UL24V	2.5 mm ² 3 LEVEL SCREW CLAMP LED 24V TB	114.30	1	EA	50	B
CTL2.5UL48V	2.5 mm ² 3 LVL SCRWB CLAMP LED 48V TB	114.30	1	EA	50	B
CTL2.5UR	2.5 mm ² 3 LEVEL SCREW CLAMP TB RED	87.70	1	EA	50	B
CTL2.5UY	2.5 mm ² 3 LEVEL SCREW CLAMP TB YELLOW	87.70	1	EA	50	B
CTLG2.5	2.5 mm ² 3 LEVEL + GROUND SCREW CLAMP TB	328.40	1	EA	20	B
CTLG2.5EMOV-275V	2.5 mm ² 3 LVL SW CL SURG SUPPR MOV 275V	447.80	1	EA	50	B
CTS10	10 mm ² FEED THRU SCREW CLAMP MELAMINE TB	25.40	1	EA	200	C
CTS10BK	10 mm ² FD THRU SW CL MELAMINE TB BLACK	28.00	1	EA	200	C

Part #	Description	List Price in ₹	Per	UOM	Std. Pack	Group
CTS10BU	10 mm ² FD THRU SW CL MELAMINE TB BLUE	28.00	1	EA	200	C
CTS10R	10 mm ² FD THRU SW CL MELAMINE TB RED	28.00	1	EA	200	C
CTS10SC	10 mm ² FD THRU SPRING LOADED MELAMINE TB	55.10	1	EA	100	C
CTS10U	10 mm ² FD THRU SCREW CLMP TERMINAL BLOCK	21.60	1	EA	100	B
CTS10UBG	10.0 SQ FD THRU PA SCR TB BGE	23.80	1	EA	500	B
CTS10UBK	10 mm ² FEED THRU SCREW CLAMP TB BLACK	23.80	1	EA	100	B
CTS10UBR	10.0 SQ FD THRU PA SCR TB BRN	23.80	1	EA	500	B
CTS10UBU	10 mm ² FEED THRU SCREW CLAMP TB BLUE	23.80	1	EA	100	B
CTS10UGN	10 mm ² FEED THRU SCREW CLAMP TB GREEN	23.80	1	EA	100	B
CTS10UP	10 mm ² FD THRU TB WITH PHILLIPS HEAD SCR	25.20	1	EA	100	B
CTS10UR	10 mm ² FEED THRU SCREW CLAMP TB RED	23.80	1	EA	100	B
CTS10UW	10.0 SQ FD THRU PA SCR TB WHT	23.80	1	EA	100	B
CTS10UY	10 mm ² FEED THRU SCREW CLAMP TB YELLOW	23.80	1	EA	100	B
CTS10Y	10 mm ² FD THRU SW CL MELAMINE TB YELLOW	28.00	1	EA	200	C
CTS16	16 mm ² FEED THRU SCREW CLAMP MELAMINE TB	40.70	1	EA	100	C
CTS16BK	16 mm ² FD THRU SW CL MELAMINE TB BLACK	44.90	1	EA	100	C
CTS16BU	16 mm ² FD THRU SW CL MELAMINE TB BLUE	44.90	1	EA	100	C
CTS16R	16 mm ² FD THRU SW CL MELAMINE TB RED	44.90	1	EA	100	C
CTS16U	16 mm ² FD THRU SCREW CLMP TERMINAL BLOCK	38.30	1	EA	50	B
CTS16UBK	16 mm ² FEED THRU SCREW CLAMP TB BLACK	42.10	1	EA	50	B
CTS16UBR	16 mm ² FEED THRU SCREW CLAMP TB BROWN	42.10	1	EA	250	B
CTS16UBU	16 mm ² FEED THRU SCREW CLAMP TB BLUE	42.10	1	EA	50	B
CTS16UGN	16 mm ² FEED THRU SCREW CLAMP TB GREEN	42.10	1	EA	50	B
CTS16UO	16 mm ² FEED THRU SCREW CLAMP TB ORANGE	42.10	1	EA	50	B
CTS16UR	16 mm ² FEED THRU SCREW CLAMP TB RED	42.10	1	EA	50	B
CTS16UW	16 mm ² FEED THRU SCREW CLAMP TB WHITE	42.10	1	EA	50	B
CTS16UY	16 mm ² FEED THRU SCREW CLAMP TB YELLOW	42.10	1	EA	50	B
CTS16Y	16 mm ² FD THRU SW CL MELAMINE TB YELLOW	44.90	1	EA	100	C
CTS2.5	4 mm ² FEED THRU SCREW CLAMP MELAMINE TB	16.20	1	EA	200	C
CTS2.5BK	4 mm ² FD THRU SW CL MELAMINE TB BLACK	17.90	1	EA	200	C
CTS2.5BU	4 mm ² FD THRU SW CL MELAMINE TB BLUE	17.90	1	EA	200	C
CTS2.5R	4 mm ² FD THRU SW CL MELAMINE TB RED	17.90	1	EA	200	C
CTS2.5UE	2.5 mm ² FD THRU SCRW CLMP TERMINAL BLOCK	12.10	1	EA	100	B
CTS2.5UEBK	2.5 mm ² FEED THRU SCREW CLAMP TB BLACK	13.30	1	EA	100	B
CTS2.5UEBU	2.5 mm ² FEED THRU SCREW CLAMP TB BLUE	13.30	1	EA	100	B
CTS2.5UEGN	2.5 mm ² FEED THRU SCREW CLAMP TB GREEN	13.30	1	EA	100	B
CTS2.5UEO	2.5 SQ FD THRU PA SCR TB (6MM THICK) ORG	13.30	1	EA	100	B
CTS2.5UER	2.5 mm ² FEED THRU SCREW CLAMP TB RED	13.30	1	EA	100	B
CTS2.5UEW	2.5 SQ FD THRU PA SCR TB (6MM THICK) WHT	13.30	1	EA	100	B
CTS2.5UEY	2.5 mm ² FEED THRU SCREW CLAMP TB YELLOW	13.30	1	EA	100	B
CTS2.5UN	2.5 mm ² FEED THRU SCREW CLAMP TB	9.60	1	EA	100	B
CTS2.5UNBG	2.5 mm ² FEED THRU SCREW CLAMP TB BEIGE	10.60	1	EA	100	B
CTS2.5UNBK	2.5 mm ² FEED THRU SCREW CLAMP TB BLACK	10.60	1	EA	100	B
CTS2.5UNBR	2.5 mm ² FEED THRU SCREW CLAMP TB BROWN	10.60	1	EA	100	B
CTS2.5UNBU	2.5 mm ² FEED THRU SCREW CLAMP TB BLUE	10.60	1	EA	100	B
CTS2.5UNGN	2.5 mm ² FEED THRU SCREW CLAMP TB GREEN	10.60	1	EA	100	B
CTS2.5UNKH	2.5 mm ² FEED THRU SCREW CLAMP TB KHAKI	10.60	1	EA	100	B
CTS2.5UNO	2.5 SQ FD THRU PA SCR TB ORG	10.60	1	EA	100	B
CTS2.5UNR	2.5 mm ² FEED THRU SCREW CLAMP TB RED	10.60	1	EA	100	B
CTS2.5UNW	2.5 mm ² FEED THRU SCREW CLAMP TB WHITE	10.60	1	EA	100	B
CTS2.5UNY	2.5 mm ² FEED THRU SCREW CLAMP TB YELLOW	10.60	1	EA	100	B

Part #	Description	List Price in ₹	Per	UOM	Std. Pack	Group
CTS2.5Y	4 mm ² FEED THRU SW CL MELAMINE TB YELLOW	17.90	1	EA	200	C
CTS25UN	25 mm ² FD THRU SCRW CLAMP TERMINAL BLOCK	61.20	1	EA	50	B
CTS25UNBG	25 mm ² FEED THRU SCREW CLAMP TB BEIGE	67.30	1	EA	50	B
CTS25UNBK	25 mm ² FEED THRU SCREW CLAMP TB BLACK	67.30	1	EA	50	B
CTS25UNBR	25 mm ² FEED THRU SCREW CLAMP TB BROWN	67.30	1	EA	50	B
CTS25UNBU	25 mm ² FEED THRU SCREW CLAMP TB BLUE	67.30	1	EA	50	B
CTS25UNGN	25 mm ² FEED THRU SCREW CLAMP TB GREEN	67.30	1	EA	50	B
CTS25UNO	25 mm ² FEED THRU SCREW CLAMP TB ORANGE	67.30	1	EA	50	B
CTS25UNR	25 mm ² FEED THRU SCREW CLAMP TB RED	67.30	1	EA	50	B
CTS25UNW	25 mm ² FEED THRU SCREW CLAMP TB WHITE	67.30	1	EA	50	B
CTS25UNY	25 mm ² FEED THRU SCREW CLAMP TB YELLOW	67.30	1	EA	50	B
CTS35	35 mm ² FEED THRU SCREW CLAMP MELAMINE TB	105.30	1	EA	50	C
CTS35BK	35 mm ² FEED THRU SW CL MELAMINE TB BLK	115.90	1	EA	50	C
CTS35BU	35 mm ² FEED THRU SW CL MELAMINE TB BLU	115.90	1	EA	50	C
CTS35L	50 mm ² FEED THRU BOLT/NUT MELAMINE TB	181.50	1	EA	10	C
CTS35LBK	50 mm ² FD THRU BOLT/NUT MELAMINE TB BLK	199.80	1	EA	10	C
CTS35LBU	50 mm ² FD THRU BOLT/NUT MELAMINE TB BLUE	199.80	1	EA	10	C
CTS35LR	50 mm ² FD THRU BOLT/NUT MELAMINE TB RED	199.80	1	EA	10	C
CTS35LS	50 mm ² FEED THRU SLTD BOLT MELAMINE TB	184.30	1	EA	10	C
CTS35LSBK	50 mm ² FD THRU SLTD BOLT MELAMINE TB BLK	202.80	1	EA	10	C
CTS35LSBU	50 mm ² FD THRU SLTD BOLT MELAMINE TB BLU	202.80	1	EA	10	C
CTS35LSR	50 mm ² FD THRU SLTD BOLT MELAMINE TB RED	202.80	1	EA	10	C
CTS35LSY	50 mm ² FD THRU SLTD BOLT MELAMINE TB YLW	202.80	1	EA	10	C
CTS35LY	50 mm ² FD THRU BOLT/NUT MELAMINE TB YLW	199.80	1	EA	10	C
CTS35R	35 mm ² FEED THRU SW CL MELAMINE TB RED	115.90	1	EA	50	C
CTS35UN	35 mm ² FD THRU SCREW CLMP TERMINAL BLOCK	84.50	1	EA	50	B
CTS35UNA	35 mm ² FEED THRU ALLEN SCREW CL TB	95.40	1	EA	50	B
CTS35UNABK	35 mm ² FEED THRU ALLEN SCREW CL TB BLK	104.90	1	EA	50	B
CTS35UNABU	35 mm ² FEED THRU ALLEN SCREW CL TB BLUE	104.90	1	EA	50	B
CTS35UNAGN	35 mm ² FEED THRU ALLEN SCREW CL TB GRN	104.90	1	EA	50	B
CTS35UNAR	35 mm ² FEED THRU ALLEN SCREW CL TB RED	104.90	1	EA	50	B
CTS35UNAY	35 mm ² FEED THRU ALLEN SCREW CL TB YLW	104.90	1	EA	50	B
CTS35UNBG	35 mm ² FEED THRU SCREW CLAMP TB BEIGE	93.00	1	EA	50	B
CTS35UNBK	35 mm ² FEED THRU SCREW CLAMP TB BLACK	93.00	1	EA	50	B
CTS35UNBR	35 mm ² FEED THRU SCREW CLAMP TB BROWN	93.00	1	EA	50	B
CTS35UNBU	35 mm ² FEED THRU SCREW CLAMP TB BLUE	93.00	1	EA	50	B
CTS35UNGN	35 mm ² FEED THRU SCREW CLAMP GREEN	93.00	1	EA	50	B
CTS35UNO	35 mm ² FEED THRU SCREW CLAMP TB ORANGE	93.00	1	EA	50	B
CTS35UNR	35 mm ² FEED THRU SCREW CLAMP TB RED	93.00	1	EA	50	B
CTS35UNW	35 mm ² FEED THRU SCREW CLAMP TB WHITE	93.00	1	EA	50	B
CTS35UNY	35 mm ² FEED THRU SCREW CLAMP TB YELLOW	93.00	1	EA	50	B
CTS35Y	35 mm ² FEED THRU SW CL MELAMINE TB YLW	115.90	1	EA	50	C
CTS4SC	4 mm ² FD THRU SPRING LOADED MELAMINE TB	30.60	1	EA	200	C
CTS4SCBU	4 mm ² FD THRU SPRING LOADED MELAMINE BLU	33.80	1	EA	200	C
CTS4UN	4 mm ² FD THRU SCREW CLMP TERMINAL BLOCK	12.10	1	EA	100	B
CTS4UNBG	4 mm ² FEED THRU SCREW CLAMP TB BEIGE	13.30	1	EA	100	B
CTS4UNBK	4 mm ² FEED THRU SCREW CLAMP TB BLACK	13.30	1	EA	100	B
CTS4UNBR	4 mm ² FEED THRU SCREW CLAMP TB BROWN	13.30	1	EA	100	B
CTS4UNBU	4 mm ² FEED THRU SCREW CLAMP TB BLUE	13.30	1	EA	100	B
CTS4UNGN	4 mm ² FEED THRU SCREW CLAMP TB GREEN	13.30	1	EA	100	B
CTS4UNKH	4 mm ² FEED THRU SCREW CLAMP TB KHAKI	13.30	1	EA	100	B

Part #	Description	List Price in ₹	Per	UOM	Std. Pack	Group
CTS4UNO	4 mm ² FEED THRU SCREW CLAMP TB ORANGE	13.30	1	EA	100	B
CTS4UNR	4 mm ² FEED THRU SCREW CLAMP TB RED	13.30	1	EA	100	B
CTS4UNW	4.0 SQ FD THRU PA SCR TB WHT	13.30	1	EA	100	B
CTS4UNY	4 mm ² FEED THRU SCREW CLAMP TB YELLOW	13.30	1	EA	100	B
CTS50/70N	70 mm ² FEED THRU SCREW CLAMP TERMINAL	245.90	1	EA	20	B
CTS50/70NA	70 mm ² FEED THRU ALLEN SCREW CL TERMINAL	245.90	1	EA	20	B
CTS50/70NABK	70 mm ² FEED THRU ALLEN SCREW CL TB BLK	270.50	1	EA	20	B
CTS50/70NABU	70 mm ² FEED THRU ALLEN SCREW CL TB BLUE	270.50	1	EA	20	B
CTS50/70NAGN	70 mm ² FEED THRU ALLEN SCREW CL TB GREEN	270.50	1	EA	20	B
CTS50/70NAR	70 mm ² FEED THRU ALLEN SCREW CL TB RED	270.50	1	EA	20	B
CTS50/70NAY	70 mm ² FEED THRU ALLEN SCREW CL TB YLW	270.50	1	EA	20	B
CTS50/70NBK	70 mm ² FEED THRU SCREW CLAMP TB BLACK	270.50	1	EA	20	B
CTS50/70NBU	70 mm ² FEED THRU SCREW CLAMP TB BLUE	270.50	1	EA	20	B
CTS50/70NGN	70 mm ² FEED THRU SCREW CLAMP TB GREEN	270.50	1	EA	20	B
CTS50/70NR	70 mm ² FEED THRU SCREW CLAMP TB RED	270.50	1	EA	20	B
CTS50/70NY	70 mm ² FEED THRU SCREW CLAMP TB YELLOW	270.50	1	EA	20	B
CTS6	6 mm ² FEED THRU SCREW CLAMP MELAMINE TB	18.90	1	EA	200	C
CTS6BK	6 mm ² FEED THRU SW CL MELAMINE TB BLACK	20.90	1	EA	200	C
CTS6BU	6 mm ² FEED THRU SW CL MELAMINE TB BLUE	20.90	1	EA	200	C
CTS6R	6 mm ² FEED THRU SW CL MELAMINE TB RED	20.90	1	EA	200	C
CTS6SC	6 mm ² FD THRU SPRING LOADED MELAMINE TB	51.60	1	EA	200	C
CTS6U	6 mm ² FEED THRU SCREW CLAMP TB	17.00	1	EA	100	B
CTS6UBG	6 mm ² FEED THRU SCREW CLAMP TB BEIGE	18.70	1	EA	100	B
CTS6UBK	6 mm ² FEED THRU SCREW CLAMP TB BLACK	18.70	1	EA	100	B
CTS6UBR	6 mm ² FEED THRU SCREW CLAMP TB BROWN	18.70	1	EA	100	B
CTS6UBU	6 mm ² FEED THRU SCREW CLAMP TB BLUE	18.70	1	EA	100	B
CTS6UGN	6 mm ² FEED THRU SCREW CLAMP TB GREEN	18.70	1	EA	100	B
CTS6UO	6.0 SQ FD THRU PA SCR TB ORG	18.70	1	EA	100	B
CTS6UR	6 mm ² FEED THRU SCREW CLAMP TB RED	18.70	1	EA	100	B
CTS6UW	6 mm ² FEED THRU SCREW CLAMP TB WHITE	18.70	1	EA	100	B
CTS6UY	6 mm ² FEED THRU SCREW CLAMP TB YELLOW	18.70	1	EA	100	B
CTS6Y	6 mm ² FEED THRU SW CL MELAMINE TB YELLOW	20.80	1	EA	200	C
CTS70L	70 mm ² FEED THRU BOLT/NUT MELAMINE TB	297.00	1	EA	10	C
CTS70LBK	70 mm ² FD THRU BOLT/NUT MELAMINE TB BLK	326.80	1	EA	10	C
CTS70LBU	70 mm ² FD THRU BOLT/NUT MELAMINE TB BLUE	326.80	1	EA	10	C
CTS70LR	70 mm ² FD THRU BOLT/NUT MELAMINE TB RED	326.80	1	EA	10	C
CTS70LS	70 mm ² FEED THRU SLTD BOLT MELAMINE TB	316.50	1	EA	10	C
CTS70LSR	70 mm ² FD THRU SLTD BOLT MEL TB RED	348.10	1	EA	10	C
CTS70LSY	70 mm ² FD THRU SLTD BOLT MEL TB YLW	348.10	1	EA	10	C
CTS70LY	70 mm ² FD THRU BOLT/NUT MELAMINE TB YLW	326.80	1	EA	10	C
CTS95/120N	120 mm ² FEED THRU SCREW CLAMP TB	397.30	1	EA	10	B
CTS95/120NBK	120 mm ² FEED THRU SCREW CLAMP TB BLACK	437.00	1	EA	10	B
CTS95/120NBU	120 mm ² FEED THRU SCREW CLAMP TB BLUE	437.00	1	EA	10	B
CTS95/120NGN	120 mm ² FEED THRU SCREW CLAMP TB GREEN	437.00	1	EA	10	B
CTS95/120NR	120 mm ² FEED THRU SCREW CLAMP TB RED	437.00	1	EA	10	B
CTS95/120NY	120 mm ² FEED THRU SCREW CLAMP TB YELLOW	437.00	1	EA	10	B
CTS95L	95 mm ² FEED THRU BOLT/NUT MELAMINE TB	346.50	1	EA	10	C
CTS95LBK	95 mm ² FD THRU BOLT/NUT MELAMINE TB BLK	381.10	1	EA	10	C
CTS95LBU	95 mm ² FD THRU BOLT/NUT MELAMINE TB BLU	381.30	1	EA	10	C
CTS95LR	95 mm ² FD THRU BOLT/NUT MELAMINE TB RED	381.30	1	EA	10	C
CTS95LS	95 mm ² FEED THRU SLTD BOLT MELAMINE TB	349.50	1	EA	10	C

Part #	Description	List Price in ₹	Per	UOM	Std. Pack	Group
CTS95LY	95 mm ² FD THRU BOLT/NUT MELAMINE TB YLW	384.60	1	EA	10	C
CTSEP1	END PLATE FOR CTS2.5/6/10	7.20	1	EA	50	C
CTSEP1BK	END PLT FR CTS2.5/6/10 BLK	8.00	1	EA	50	C
CTSEP1BU	END PLT FR CTS2.5/6/10 BLU	8.00	1	EA	50	C
CTSEP1R	END PLT FR CTS2.5/6/10 RED	8.00	1	EA	50	C
CTSEP1SC	END PLATE FOR CTS10SC	14.30	1	EA	50	C
CTSEP1Y	END PLT FR CTS2.5/6/10 YLW	8.00	1	EA	50	C
CTSEP2	END PLATE FOR CTS16	14.30	1	EA	50	C
CTSEP3	END PLATE FOR CTS35	15.20	1	EA	25	C
CTSEP4	PARTITION PLATE FOR CTS35L/70L/95L	38.70	1	EA	10	C
CTSEP4LO	LOCATING SUPPORT FOR CTSEP4/EP4P	8.60	1	EA	10	C
CTSG2.5	2.5MM ² SCR CLM GROUND TB FR DIN35/7.5&15	70.40	1	EA	50	B
CTSG4	4MM ² SCRW CLMP GROUND TB FR DIN35/7.5&15	71.50	1	EA	50	B
CTSPC(100MM)	PROTECTIVE COVER FOR CSP1 100mm LONG	67.40	1	EA	50	B
CTSPC(130MM)	PROTECTIVE COVER FOR CSP1 130mm LONG	71.80	1	EA	10	B
CTSPC(150MM)	PROTECTIVE COVER FOR CSP1 150mm LONG	85.40	1	EA	10	B
CTSPC(200MM)	PROTECTIVE COVER FOR CSP1 200mm LONG	100.30	1	EA	10	B
CTSPC(300MM)	PROTECTIVE COVER FOR CSP1 300mm LONG	115.20	1	EA	10	B
CTSPC(330MM)	PROTECTIVE COVER FOR CSP1 330mm LONG	154.20	1	EA	10	B
CTSPC(40MM)	PROTECTIVE COVER FOR CSP1 40mm LONG	46.40	1	EA	50	B
CTSPC(460MM)	PROTECTIVE COVER FOR CSP1 460mm LONG	176.50	1	EA	10	B
CTSPC(90MM)	PROTECTIVE COVER FOR CSP1 90mm LONG	64.40	1	EA	50	B
CTSPC1(760MM)	PROTECTIVE COVER FOR CSP2 760mm LONG	897.60	1	EA	10	B
CTSPC2-1	PROTECTIVE COVER FR CTS35L/70L 100mm LNG	115.20	1	EA	10	B
CTSPC2-2	PROTECTIVE COVER FR CTS35L/70L 190mm LNG	188.40	1	EA	10	B
CTSPC2-3	PROTECTIVE COVER FR CTS95L/LS 130mm LONG	131.70	1	EA	10	B
CTSPC3-1	PROTECTIVE COVER FR CTS95L/LS 90mm LONG	112.30	1	EA	10	B
CTSPC3-2	PROTECTIVE COVER FR CTS35L/70L 210mm LNG	203.50	1	EA	10	B
CTSP1B	PARTITION PLATE FOR CTS2.5/6/10 BROAD	16.50	1	EA	50	C
CTSP1L	PARTITION PLATE FOR CTS2.5/6/10 LONG	15.30	1	EA	50	C
CTSP2	PARTITION PLATE FOR CTS16	25.10	1	EA	50	C
CTSP3	PARTITION PLATE FOR CTS35	29.00	1	EA	25	C
CTT2.5UE	2.5 mm ² E-TYPE THERMOCOUPLE TERMINAL	113.30	1	EA	50	A
CTT2.5UJ	2.5 mm ² J-TYPE THERMOCOUPLE TERMINAL	113.30	1	EA	50	A
CTT2.5UK	2.5 mm ² K-TYPE THERMOCOUPLE TERMINAL	113.30	1	EA	50	A
CTT2.5UT	2.5 mm ² T-TYPE THERMOCOUPLE TERMINAL	113.30	1	EA	50	A
CX10	10 mm ² FEED THRU SPRING CLAMP TERMINAL	74.20	1	EA	50	A
CX10/3	10 mm ² FEED THRU SPRING CLAMP 3 WIRE TB	126.90	1	EA	50	A
CX10/3BK	10 mm ² FEED THRU SP CLMP 3 WIRE TB BLACK	139.60	1	EA	50	A
CX10/3BU	10 mm ² FEED THRU SP CLAMP 3 WIRE TB BLUE	139.60	1	EA	50	A
CX10/3GN	10 mm ² FEED THRU SP CLAMP 3 WIRE TB GRN	139.60	1	EA	50	A
CX10/3O	10 mm ² FEED THRU SP CL 3 WIRE TB ORANGE	139.60	1	EA	50	A
CX10/3R	10 mm ² FEED THRU SP CLAMP 3 WIRE TB RED	139.60	1	EA	50	A
CX10/3Y	10 mm ² FEED THRU SP CL 3 WIRE TB YELLOW	139.60	1	EA	50	A
CX10BK	10 mm ² FEED THRU SPRING CLAMP TB BLACK	81.60	1	EA	50	A
CX10BU	10 mm ² FEED THRU SPRING CLAMP TB BLUE	81.60	1	EA	50	A
CX10GN	10 mm ² FEED THRU SPRING CLAMP TB GREEN	81.60	1	EA	50	A
CX10R	10 mm ² FEED THRU SPRING CLAMP TB RED	81.60	1	EA	50	A
CX10W	10 mm ² FEED THRU SPRING CLAMP TB WHITE	81.60	1	EA	50	A
CX10Y	10 mm ² FEED THRU SPRING CLAMP TB YELLOW	81.60	1	EA	50	A
CX2.5	2.5 mm ² FEED THRU SPRING CLAMP TERMINAL	11.70	1	EA	100	A

Part #	Description	List Price in ₹	Per	UOM	Std. Pack	Group
CX2.5/1B	2.5 mm ² PLUGABLE SPRNG CL FD THRU TB	26.60	1	EA	100	A
CX2.5/2B	2.5 mm ² PLUGABLE FEED THRU TB	24.80	1	EA	100	A
CX2.5/3	2.5 mm ² FEED THRU SPR CL 3 WIRE TB	26.80	1	EA	100	A
CX2.5/3/1B	2.5mm ² 3 WIRE 1 PLUGABLE SP CL FD THR TB	34.50	1	EA	100	A
CX2.5/3BK	2.5 mm ² FEED THRU SP CL 3 WIRE TB BLACK	29.50	1	EA	100	A
CX2.5/3BU	2.5 mm ² FEED THRU SP CL 3 WIRE TB BLUE	29.50	1	EA	100	A
CX2.5/3GN	2.5 mm ² FEED THRU SPR CL 3 WIRE TB GREEN	29.50	1	EA	100	A
CX2.5/3O	2.5 mm ² FEED THRU SP CL 3 WIRE TB ORANGE	29.50	1	EA	100	A
CX2.5/3R	2.5 mm ² FEED THRU SP CL 3 WIRE TB RED	29.50	1	EA	100	A
CX2.5/3W	2.5 mm ² FEED THRU SP CL 3 WIRE TB WHITE	29.50	1	EA	100	A
CX2.5/3Y	2.5 mm ² FEED THRU SP CL 3 WIRE TB YELLOW	29.50	1	EA	100	A
CX2.5/4	2.5 mm ² FEED THRU SPRING CLAMP 4 WIRE TB	29.00	1	EA	100	A
CX2.5/4(E)D1	2.5 mm ² FD THRU SP CL 4 WIRE DIODE D1 TB	125.00	1	EA	100	A
CX2.5/4(E)D2	2.5 mm ² FD THRU SP CL 4 WIRE DIODE D2 TB	125.00	1	EA	50	A
CX2.5/4(E)R1	2.5 mm ² FD THRU SP CL 4 WRE RESIST R1 TB	125.00	1	EA	100	A
CX2.5/4(E)R2	2.5 mm ² FD THRU SP CL 4 WRE RESIST R2 TB	125.00	1	EA	100	A
CX2.5/4(E)R3	2.5 mm ² FD THRU SP CL 4 WRE RESIST R3 TB	125.00	1	EA	100	A
CX2.5/4(E)R4	2.5 mm ² FD THRU SP CL 4 WRE RESIST R4 TB	125.00	1	EA	100	A
CX2.5/4/2B	2.5 mm ² 4 WIRE PLUGABLE SP CL TER	40.40	1	EA	100	A
CX2.5/4/4B	2.5 mm ² 4 WIRE PLUGABLE FEED THRU	35.00	1	EA	100	A
CX2.5/4BK	2.5 mm ² FEED THRU SP CL 4 WIRE TB BLACK	31.90	1	EA	100	A
CX2.5/4BR	2.5 mm ² FEED THRU SP CL 4 WIRE TB BROWN	31.90	1	EA	100	A
CX2.5/4BU	2.5 mm ² FEED THRU SP CL 4 WIRE TB BLUE	31.90	1	EA	100	A
CX2.5/4GN	2.5 mm ² FEED THRU SP CL 4 WIRE TB GREEN	31.90	1	EA	100	A
CX2.5/4O	2.5 mm ² FEED THRU SP CL 4 WIRE TB ORANGE	31.90	1	EA	100	A
CX2.5/4P	2.5mm ² DOUBLE FEED THRU SPRING CLAMP	121.20	1	EA	100	A
CX2.5/4R	2.5 mm ² FEED THRU SP CL 4 WIRE TB RED	31.90	1	EA	100	A
CX2.5/4W	2.5 mm ² FEED THRU SP CL 4 WIRE TB WHITE	31.90	1	EA	100	A
CX2.5/4Y	2.5 mm ² FEED THRU SP CL 4 WIRE TB YELLOW	31.90	1	EA	100	A
CX2.5BG	2.5 mm ² FEED THRU SP CL TERMINAL BEG	12.90	1	EA	100	A
CX2.5BK	2.5 mm ² FEED THRU SPRING CL TB BLK	12.90	1	EA	100	A
CX2.5BR	2.5 mm ² FEED THRU SP CL TERMINAL BRW	12.90	1	EA	100	A
CX2.5BU	2.5 mm ² FEED THRU SPRING CLAMP TB BLUE	12.90	1	EA	100	A
CX2.5GN	2.5 mm ² FEED THRU SP CL TERMINAL GRN	12.90	1	EA	100	A
CX2.5O	2.5 mm ² FEED THRU SP CL TERMINAL ORG	12.90	1	EA	100	A
CX2.5PLN	2.5 mm ² 1 POLE PLUG SP CL STACK END TB	31.00	1	EA	50	A
CX2.5PLNYG	2.5mm ² 1P PLUG SPCL STACK END TB YLW GRN	34.10	1	EA	100	A
CX2.5PN	2.5 mm ² 1 POLE PLUG SPRING CLAMP TB	31.00	1	EA	50	A
CX2.5PN/10	2.5 mm ² 10 POLE PLUG SPRING CLAMP TB	310.00	1	EA	25	A
CX2.5PN/12	2.5 mm ² 12 POLE PLUG SPRING CLAMP TB	372.00	1	EA	10	A
CX2.5PN/13	2.5 mm ² 13 POLE PLUG SPRING CLAMP TB	403.00	1	EA	10	A
CX2.5PN/15	2.5 mm ² 15 POLE PLUG SPRING CLAMP TB	465.00	1	EA	10	A
CX2.5PN/16	2.5 mm ² 16 POLE PLUG SPRING CLAMP TB	496.00	1	EA	10	A
CX2.5PN/2	2.5 mm ² 2 POLE PLUG SPRING CLAMP TB	62.00	1	EA	50	A
CX2.5PN/3	2.5 mm ² 3 POLE PLUG SPRING CLAMP TB	93.00	1	EA	50	A
CX2.5PN/4	2.5 mm ² 4 POLE PLUG SPRING CLAMP TB	124.00	1	EA	50	A
CX2.5PN/5	2.5 mm ² 5 POLE PLUG SPRING CLAMP TB	155.00	1	EA	50	A
CX2.5PN/6	2.5 mm ² 6 POLE PLUG SPRING CLAMP TB	186.00	1	EA	25	A
CX2.5PN/8	2.5 mm ² 8 POLE PLUG SPRING CLAMP TB	248.00	1	EA	25	A
CX2.5PNYG	2.5 mm ² 1 POLE PLUG SPRING CL TB GRN YLW	34.10	1	EA	50	A
CX2.5R	2.5 mm ² FEED THRU SPRING CL TB RED	12.90	1	EA	100	A

Part #	Description	List Price in ₹	Per	UOM	Std. Pack	Group
CX2.5SN	2.5 mm ² 1 POLE SOCKET SPRING CLAMP TB	34.20	1	EA	50	A
CX2.5SN/10	2.5 mm ² 10 POLE SOCKET SPRING CLAMP TB	342.00	1	EA	25	A
CX2.5SN/12	2.5 mm ² 12 POLE SOCKET SPRING CLAMP TB	410.40	1	EA	10	A
CX2.5SN/15	2.5 mm ² 15 POLE SOCKET SPRING CLAMP TB	513.00	1	EA	10	A
CX2.5SN/2	2.5 mm ² 2 POLE SOCKET SPRING CLAMP TB	68.40	1	EA	50	A
CX2.5SN/3	2.5 mm ² 3 POLE SOCKET SPRING CLAMP TB	102.60	1	EA	50	A
CX2.5SN/4	2.5 mm ² 4 POLE SOCKET SPRING CLAMP TB	136.80	1	EA	50	A
CX2.5SN/5	2.5 mm ² 5 POLE SOCKET SPRING CLAMP TB	171.00	1	EA	50	A
CX2.5SN/6	2.5 mm ² 6 POLE SOCKET SPRING CLAMP TB	205.20	1	EA	25	A
CX2.5SN/7	2.5 mm ² 7 POLE SOCKET SPRING CLAMP TB	239.40	1	EA	25	A
CX2.5W	2.5 mm ² FEED THRU SP CL TERMINAL WHT	12.90	1	EA	100	A
CX2.5Y	2.5 mm ² FEED THRU SPR CL TB YELLOW	12.90	1	EA	100	A
CX35	35 mm ² FEED THRU SPRING CLAMP TB GRY	344.30	1	EA	15	A
CX35BU	35 mm ² FEED THRU SPRING CLAMP TB GRY	378.70	1	EA	15	A
CX4	4 mm ² FEED THRU SPRING CL TERMINAL	20.00	1	EA	100	A
CX4/3	4SQ MM SP CL MODULAR TB (3 WIRE)	36.60	1	EA	50	A
CX4/3BK	4 mm ² FEED THRU SP CL 3 WIRE TB BLACK	40.30	1	EA	50	A
CX4/3BU	4SQ MM SP CL MODULAR TB (3 WIRE) BLU	40.30	1	EA	50	A
CX4/3GN	4 mm ² FEED THRU SP CL 3 WIRE TB GRN	40.30	1	EA	50	A
CX4/3R	4 mm ² FEED THRU SP CL 3 WIRE TB RED	40.30	1	EA	50	A
CX4/3Y	4 mm ² FEED THRU SP CL 3 WIRE TB YELLOW	40.30	1	EA	50	A
CX4/4	4SQ MM SP CL MODULAR TB (4 WIRE)	42.50	1	EA	50	A
CX4/4BK	4 mm ² FEED THRU SP CL 4 WIRE TB BLACK	46.80	1	EA	50	A
CX4/4BU	4SQ MM SP CL MODULAR TB (4 WIRE) BLU	46.80	1	EA	50	A
CX4/4GN	4 mm ² FEED THRU SP CL 4 WIRE TB GREEN	46.80	1	EA	50	A
CX4/4O	4 mm ² FEED THRU SP CL 4 WIRE TB ORANGE	46.80	1	EA	50	A
CX4/4R	4 mm ² FEED THRU SP CL 4 WIRE TB RED	46.80	1	EA	50	A
CX4/4W	4 mm ² FEED THRU SP CL 4 WIRE TB WHITE	46.80	1	EA	50	A
CX4/4Y	4 mm ² FEED THRU SP CL 4 WIRE TB YELLOW	46.80	1	EA	50	A
CX4BG	4 mm ² FEED THRU SPRING CL TB BEIGE	22.00	1	EA	100	A
CX4BK	4 mm ² FEED THRU SPRING CL TB BLACK	22.00	1	EA	100	A
CX4BR	4 mm ² FEED THRU SPRING CL TB BROWN	22.00	1	EA	100	A
CX4BU	4 mm ² FEED THRU SPRING CLAMP TB BLUE	22.00	1	EA	100	A
CX4GN	4 mm ² FEED THRU SPRING CL TB GREEN	22.00	1	EA	100	A
CX4O	4 mm ² FEED THRU SPRING CL TB ORANGE	22.00	1	EA	100	A
CX4R	4 mm ² FEED THRU SPRING CLAMP TB RED	22.00	1	EA	100	A
CX4W	4 mm ² FEED THRU SPRING CL TB WHITE	22.00	1	EA	100	A
CX4Y	4 mm ² FEED THRU SPRING CL TB YELLOW	22.00	1	EA	100	A
CX6	6 mm ² FEED THRU SPRING CLAMP TERMINAL	38.60	1	EA	100	A
CX6/3	6 mm ² FEED THRU SPRING CLAMP 3 WIRE TB	82.20	1	EA	50	A
CX6/3BK	6 mm ² FEED THRU SP CLMP 3 WIRE TB BLACK	90.40	1	EA	50	A
CX6/3BU	6 mm ² FEED THRU SP CL 3 WIRE TB BLUE	90.40	1	EA	50	A
CX6/3O	6 mm ² FEED THRU SP CL 3 WIRE TB ORAN	90.40	1	EA	50	A
CX6/3R	6 mm ² FEED THRU SP CLMP 3 WIRE TB RED	90.40	1	EA	50	A
CX6/3W	6 mm ² FEED THRU SP CLMP 3 WIRE TB WHITE	90.40	1	EA	50	A
CX6/3Y	6 mm ² FEED THRU SP CLMP 3 WIRE TB YELLOW	90.40	1	EA	50	A
CX6BK	6 mm ² FEED THRU SPRING CL TB BLACK	42.50	1	EA	100	A
CX6BR	6 mm ² FEED THRU SPRING CL TB BROWN	42.50	1	EA	100	A
CX6BU	6 mm ² FEED THRU SPRING CLAMP TB BLUE	42.50	1	EA	100	A
CX6GN	6 mm ² FEED THRU SPRING CLAMP TB GREEN	42.50	1	EA	100	A
CX6O	6 mm ² FEED THRU SPRING CL TB ORANGE	42.50	1	EA	100	A

Part #	Description	List Price in ₹	Per	UOM	Std. Pack	Group
CX6R	6 mm ² FEED THRU SPRING CLAMP TB RED	42.50	1	EA	100	A
CX6Y	6 mm ² FEED THRU SPRING CL TB YELLOW	42.50	1	EA	100	A
CXAF4/3	4mm ² SPRING CLAMP AUTOMOTIVE FUSE 3W TB	193.70	1	EA	50	A
CXAF4/3L24V	4mm ² SPCL AUTOMOTIVE FUSE 3W TB 24V	251.90	1	EA	50	A
CXCC2.5/4	2.5 mm ² 4 WIRE COMPONENT CARRIER TB	82.70	1	EA	100	A
CXCC4	4mm ² COMPONENT CARRIER SPRING CLAMP TB	79.40	1	EA	50	A
CXCC4/3	4 mm ² 3 WIRE COMPONENT CARRIER SP CL TB	93.00	1	EA	50	A
CXCP2.5	2.5mm ² FD THRU SPCL 2W MICRO TB FR DIN35	13.40	1	EA	100	A
CXCP2.5/4	2.5mm ² FD THRU SPCL 4W MICRO TB FR DIN35	19.40	1	EA	100	A
CXDB35/10	1X35mm ² I/P 4X10mm ² O/P HYBRID TERMINAL	204.80	1	EA	20	A
CXDB35/10A	1X35mm ² I/P 4X10mm ² O/P HYBRID ALLEN TB	227.60	1	EA	20	A
CXDIN	MOUNTING FEET FOR CX2.5P TERMINAL BLOCK	10.00	1	EA	25	A
CXDL2.5	2.5 mm ² 2 LEVEL SPRING CLAMP TERMINAL	33.10	1	EA	50	A
CXDL2.5(E)D1	2.5 mm ² 2 LEVEL SPRING CLAMP DIODE D1 TB	109.40	1	EA	50	A
CXDL2.5(E)D2	2.5 mm ² 2 LEVEL SPRING CLAMP DIODE D2 TB	109.40	1	EA	50	A
CXDL2.5(E)D3	2.5 mm ² 2 LEVEL SPRING CLAMP DIODE D3 TB	109.40	1	EA	50	A
CXDL2.5(E)DD1	2.5 mm ² 2 LEVEL SPRING CL DIODE DD1 TB	109.40	1	EA	50	A
CXDL2.5(E)DD1BG	2.5mm ² 2 LEVEL SPRNG CL DIODE DD1 TB BGE	120.30	1	EA	50	A
CXDL2.5(E)DD2	2.5 mm ² 2 LEVEL SPRING CL DIODE DD2 TB	109.40	1	EA	50	A
CXDL2.5(E)DD2BG	2.5mm ² 2 LEVEL SPRNG CL DIODE DD2 TB BGE	120.30	1	EA	50	A
CXDL2.5(E)DD3	2.5 mm ² 2 LEVEL SPRING CL DIODE DD3 TB	109.40	1	EA	50	A
CXDL2.5(E)DD4	2.5 SQ.MM TERMINAL BLOCKS WITH DIODE CIR	109.40	1	EA	50	A
CXDL2.5(E)LD16-60V	2.5 mm ² 2 LEVEL SPRING CLAMP LED 6-60V	109.40	1	EA	50	A
CXDL2.5(I.S)	2.5 mm ² 2 LVL SPRING CLAMP INT SHRTD TB	46.30	1	EA	50	A
CXDL2.5(I.S)BG	2.5 mm ² 2 LVL SP CL INT SHTD TB BGE	50.90	1	EA	50	A
CXDL2.5(I.S)BK	2.5 mm ² 2 LVL SP CL INT SHTD TB BLK	50.90	1	EA	50	A
CXDL2.5(I.S)BU	2.5 mm ² 2 LVL SP CL INT SHTD TB BLU	50.90	1	EA	50	A
CXDL2.5(I.S)GN	2.5 mm ² 2 LVL SP CL INT SHTD TB GRN	50.90	1	EA	50	A
CXDL2.5(I.S)O	2.5 mm ² 2 LVL SP CL INT SHTD TB ORG	50.90	1	EA	50	A
CXDL2.5(I.S)R	2.5 mm ² 2 LVL SP CL INT SHTD TB RED	50.90	1	EA	50	A
CXDL2.5(I.S)W	2.5 mm ² 2 LVL SP CL INT SHTD TB WHT	50.90	1	EA	50	A
CXDL2.5(I.S)Y	2.5 mm ² 2 LVL SP CL INT SHTD TB YLW	50.90	1	EA	50	A
CXDL2.5/2B	2.5 mm ² 2 LEVEL PLUGABLE SP CL TB	63.20	1	EA	50	A
CXDL2.5/2B(I.S)	2.5mm ² 2 LVL PLUGABLE SP CL INT S	91.70	1	EA	50	A
CXDL2.5BG	2.5 mm ² 2 LEVEL SPRNG CLMP TERMINAL BGE	36.40	1	EA	50	A
CXDL2.5BK	2.5 mm ² 2 LVL SPNG CL TERMINAL BLACK	36.40	1	EA	50	A
CXDL2.5BU	2.5 mm ² 2 LVL SPRNG CL TERMINAL BLUE	36.40	1	EA	50	A
CXDL2.5GN	2.5 mm ² 2 LVL SPNG CL TERMINAL GREEN	36.40	1	EA	50	A
CXDL2.5O	2.5 mm ² 2 LVL SPR CL TERMINAL ORG	36.40	1	EA	50	A
CXDL2.5R	2.5 mm ² 2 LVL SPR CL TERMINAL RED	36.40	1	EA	50	A
CXDL2.5W	2.5 mm ² 2 LEVEL SPRNG CLMP TERMINAL WHT	36.40	1	EA	50	A
CXDL2.5Y	2.5 mm ² 2 LVL SPR CL TERMINAL YLW	36.40	1	EA	50	A
CXDLG2.5	2.5 mm ² FEED THRU + GND SPRING CL TB	107.50	1	EA	50	A
CXDLG2.5(I.S)	2.5 mm ² 2 LEVEL SPRING CL GROUND TB	111.50	1	EA	50	A
CXDLG2.5/2B	2.5 mm ² 2 LEVEL PLUGABLE SP CL GR	196.50	1	EA	50	A
CXDLG2.5/2B(I.S)	2.5 mm ² 2 LVL PLUGABLE SPRING CL GRN	296.60	1	EA	50	A
CXF4	4mm ² Ø5X20mm SPRING CLAMP FUSE TB	68.90	1	EA	50	A
CXF4/3	4mm ² Ø5X20mm SPRING CLAMP FUSE 3 WIRE TB	108.30	1	EA	50	A
CXF4/3L110-240V	4 mm ² Ø5X20mm SP CL FUSE 3W TB 110-240V	140.70	1	EA	50	A
CXF4/3L6-60V	4 mm ² Ø5X20mm SP CL FUSE 3 WIRE TB 6-60V	140.70	1	EA	50	A
CXF4-0.5	4mm ² Ø5X20mm SPRNG CLMP 0.5A FUSE TB	116.30	1	EA	50	A

Part #	Description	List Price in ₹	Per	UOM	Std. Pack	Group
CXF4-0.5Y	4mm ² Ø5X20mm SPRNG CLMP 0.5A FUSE TB YLW	127.90	1	EA	50	A
CXF4-2.0R	4mm ² Ø5X20mm SPRNG CLMP 2.0A FUSE TB RED	127.90	1	EA	50	A
CXF4BK	4mm ² Ø5X20mm SPRING CLAMP FUSE TB BLK	75.80	1	EA	50	A
CXF4BU	4mm ² Ø5X20mm SPRING CLAMP FUSE TB BLU	75.80	1	EA	50	A
CXF4L110-240V	4mm ² Ø5X20mm SPR CL FU TB110-240V	91.50	1	EA	50	A
CXF4L110-240V2A	4mm ² Ø5X20mm SP CL 2A FUSE TB 110-240V	100.70	1	EA	50	A
CXF4L110-240VBK	4mm ² Ø5X20mm SPR CL FU TB110-240V BLACK	100.70	1	EA	50	A
CXF4L110-240VBU	4mm ² Ø5X20mm SPR CL FU TB110-240V BLUE	100.70	1	EA	50	A
CXF4L110-240VO	4mm ² Ø5X20mm SPR CL FUSE TB 110-240V ORG	100.70	1	EA	50	A
CXF4L110-240VR	4mm ² Ø5X20mm SPR CL FU TB110-240V RED	100.70	1	EA	50	A
CXF4L110-240VY	4mm ² Ø5X20mm SPR CL FU TB110-240V YLW	100.70	1	EA	50	A
CXF4L6-60V	4mm ² Ø5X20mm SPRING CLMP FUSE TB 6-60V	91.50	1	EA	50	A
CXF4L6-60V1A	4mm ² Ø5X20mm SP CL 1A FUSE TB 6-60V	100.70	1	EA	50	A
CXF4L6-60VBK	4mm ² Ø5X20mm SPRG CLMP FUSE TB 6-60V BLK	100.70	1	EA	50	A
CXF4L6-60VBU	4mm ² Ø5X20mm SPRG CLMP FUSE TB 6-60V BLU	100.70	1	EA	50	A
CXF4L6-60VO	4mm ² Ø5X20mm SPRG CLMP FUSE TB 6-60V ORG	100.70	1	EA	50	A
CXF4L6-60VR	4mm ² Ø5X20mm SPRG CLMP FUSE TB 6-60V RED	100.70	1	EA	50	A
CXF4L6-60VY	4mm ² Ø5X20mm SPRG CLMP FUSE TB 6-60V YLW	100.70	1	EA	50	A
CXF4R	4mm ² Ø5X20mm SPRNG CLMP FUSE TB RED	75.80	1	EA	50	A
CXF4Y	4mm ² Ø5X20mm SPRNG CLMP FUSE TB YLW	75.80	1	EA	50	A
CXG10	10 mm ² SPRING CLAMP GROUNDING TB	195.70	1	EA	50	A
CXG10	10 mm ² SPRING CLAMP GROUNDING TB	195.70	1	EA	50	A
CXG10/3	10 mm ² SPRING CLAMP 3 WIRE GROUND TB	214.30	1	EA	50	A
CXG2.5	2.5 mm ² SPRING CLAMP GROUNDING TB	77.20	1	EA	100	A
CXG2.5/1B	2.5 mm ² PLUGABLE SPRING CLAMP GROUND TB	95.00	1	EA	100	A
CXG2.5/2B	2.5 mm ² PLUGABLE GROUND TB	93.20	1	EA	100	A
CXG2.5/3	2.5 mm ² SPRING CL 3 WIRE GROUND TB	113.50	1	EA	100	A
CXG2.5/3/1B	2.5 mm ² 3 WIRE PLUGABLE SP CL GROUND TB	115.60	1	EA	100	A
CXG2.5/4	2.5 mm ² SPRING CLAMP 4 WIRE GROUND TB	115.80	1	EA	100	A
CXG2.5/4/2B	2.5 mm ² 4 WIRE PLUGABLE SP CL GRO	133.10	1	EA	100	A
CXG2.5/4/4B	2.5 mm ² 4 WIRE PLUGABLE GROUND TE	128.30	1	EA	100	A
CXG35	35 mm ² SPRG CLMP GND TB GRN YLW	580.80	1	EA	15	A
CXG35	35 mm ² SPRG CLMP GND TB GRN YLW	580.80	1	EA	15	A
CXG4	4 mm ² SPRING CLAMP GROUNDING TB	78.10	1	EA	100	A
CXG4/3	4SQ EARTHING SP CL MOD TB (3 WIRE)	117.40	1	EA	50	A
CXG4/4	4SQ EARTHING SP CL MOD TB (4 WIRE)	127.20	1	EA	50	A
CXG6	6 mm ² SPRING CLAMP GROUNDING TB	151.70	1	EA	100	A
CXG6	6 mm ² SPRING CLAMP GROUNDING TB	151.70	1	EA	100	A
CXG6/3	6 mm ² SPRING CLAMP 3 WIRE GROUND TB	172.90	1	EA	50	A
CXK2.5	2.5mm ² 2 WIRE KNIFE DISCON SPR CL TB	49.00	1	EA	100	A
CXK2.5/4	2.5mm ² 4 WIRE KNIFE DISCON SPR CL TB	58.80	1	EA	50	A
CXK2.5/4BK	2.5mm ² 4 WIRE KNIFE DISCON SP CL TB BLACK	64.70	1	EA	50	A
CXK2.5/4BU	2.5mm ² 4 WIRE KNIFE DISCON SP CL TB BLUE	64.70	1	EA	50	A
CXK2.5/4GN	2.5mm ² 4 WIRE KNIFE DISCON SP CL TB GREEN	64.70	1	EA	50	A
CXK2.5/4O	2.5mm ² 4 WIRE KNIFE DISCON SPR CL TB ORG	64.70	1	EA	50	A
CXK2.5/4R	2.5mm ² 4 WIRE KNIFE DISCON SP CL TB RED	64.70	1	EA	50	A
CXK2.5/4W	2.5mm ² 4 WIRE KNIFE DISCON SPR CL TB WHT	64.70	1	EA	50	A
CXK2.5/4Y	2.5mm ² 4 WIRE KNIFE DISCON SP CL YELLOW	64.70	1	EA	50	A
CXK2.5BK	2.5mm ² 2 WIRE KNIFE DISCON SP CL BLACK	53.90	1	EA	100	A
CXK2.5BU	2.5mm ² 2 WIRE KNIFE DISCON SP CL BLUE	53.90	1	EA	100	A
CXK2.5GN	2.5mm ² 2 WIRE KNIFE DISCON SP CL GREEN	53.90	1	EA	100	A

Part #	Description	List Price in ₹	Per	UOM	Std. Pack	Group
CXK2.50	2.5mm ² 2WIRE KNIFE DISCON SPCL TB ORANGE	53.90	1	EA	100	A
CXK2.5R	2.5mm ² 2 WIRE KNIFE DISCON SP CL RED	53.90	1	EA	100	A
CXK2.5W	2.5mm ² 2 WIRE KNIFE DISCON SPCL TB WHITE	53.90	1	EA	100	A
CXK2.5Y	2.5mm ² 2 WIRE KNIFE DISCON SP CL YELLOW	53.90	1	EA	100	A
CXK4	4mm ² 2 WIRE KNIFE DISCON SPRNG CLMP TB	89.70	1	EA	100	A
CXK4/3	4 mm ² 3 WIRE KNIFE DISCON SPRNG CLMP TB	141.90	1	EA	50	A
CXK4BU	4mm ² 2 WIRE KNIFE DISCON SP CLMP TB BLUE	98.70	1	EA	100	A
CXK4R	4mm ² 2 WIRE KNIFE DISCON SP CLMP TB RED	98.70	1	EA	50	A
CXLPN	LOCKING PIN FOR CX2.5PN / CX2.5SN	8.60	1	EA	25	A
CXM2.5	2.5mm ² FEED THRU SP CL TB FR DIN15 RAIL	13.10	1	EA	100	A
CXM2.5BU	2.5MM ² FEED THRU SP CL TB DIN15 RAIL BLU	14.40	1	EA	100	A
CXM2.5GN	2.5mm ² FEED THRU SP CL TB DIN15 RAIL GRN	14.40	1	EA	100	A
CXM2.5O	2.5MM ² FEED THRU SP CL TB DIN15 RAIL ORG	14.40	1	EA	100	A
CXM2.5R	2.5mm ² FEED THRU SP CL TB DIN15 RAIL RED	14.40	1	EA	100	A
CXMG2.5	2.5mm ² SP CL GROUND TB FR DIN15 RAIL	53.70	1	EA	100	A
CXPOLN	CODING PIN FOR CX2.5PN / CX2.5PLN	3.70	1	EA	25	A
CXS10	10mm ² FD THRU SIDE ENTRY SPRG CLMP TB	54.80	1	EA	50	A
CXS2.5	2.5mm ² FD THRU SIDE ENTRY SPRING CLMP TB	11.50	1	EA	50	A
CXS2.5BK	2.5mm ² FD THRU SIDE ENTRY SP CL BLACK	12.70	1	EA	50	A
CXS2.5BU	2.5mm ² FD THRU SIDE ENTRY SPRING CL BLUE	12.70	1	EA	50	A
CXS2.5GN	2.5mm ² FD THRU SIDE ENTRY SP CL GREEN	12.70	1	EA	50	A
CXS2.5R	2.5mm ² FD THRU SIDE ENTRY SP CL RED	12.70	1	EA	50	A
CXS2.5Y	2.5mm ² FD THRU SIDE ENTRY SP CL YELLOW	12.70	1	EA	50	A
CXS4	4 mm ² FD THRU SIDE ENTRY SPRING CLMP TB	18.00	1	EA	100	A
CXS4BK	4 mm ² FD THRU SIDE ENTRY SP CL TB BLK	19.80	1	EA	100	A
CXS4BU	4 mm ² FD THRU SIDE ENTRY SP CL TB BLU	19.80	1	EA	100	A
CXS4GN	4 mm ² FD THRU SIDE ENTRY SP CL TB GRN	19.80	1	EA	100	A
CXS4R	4 mm ² FD THRU SIDE ENTRY SP CL TB RED	19.80	1	EA	100	A
CXS4W	4 mm ² FD THRU SIDE ENTRY SP CL TB WHT	19.80	1	EA	100	A
CXS6	6mm ² FD THRU SIDE ENTRY SPRG CLMP TB	48.40	1	EA	50	A
CXSG2.5	2.5mm ² SIDE ENTRY SPRING CLAMP GROUND TB	94.50	1	EA	50	A
CXSG4	4 mm ² SIDE ENTRY SPRING CLAMP GROUND TB	114.50	1	EA	100	A
CXSR2N	2W STRAIN RELIEF PLATE CX2.5PN / CX2.5SN	11.40	1	EA	25	A
CXSR4N	4W STRAIN RELIEF PLATE FR CX2.5PN/CX2.5S	14.30	1	EA	25	A
CXVF2.5A	6mm ² I/P 2X2.5mm ² O/P Ø5X20mm FUSE SPCLTB	222.40	1	EA	50	A
CXVFA	6 mm ² Ø5X20mm FUSE SPRING CLAMP TB	230.50	1	EA	50	A
CXVFAL24V	6mm ² Ø5X20mm FUSE SPRING CLAMP TB 24V	299.70	1	EA	50	A
CXVFB	6 mm ² Ø5X25mm FUSE SPRING CLAMP TB	276.60	1	EA	50	A
CXVFC	6mm ² Ø6.3X32mm VERTICAL FUSE SP CLMP TB	368.70	1	EA	50	A
CY10	10 mm ² FEED THRU SCREW CLAMP TERMINAL	24.40	1	EA	50	A
CY10BU	10 mm ² FEED THRU SCREW CLAMP TB BLU	26.80	1	EA	50	A
CY16	16 SQ.MM FEED THROUGH TERMINAL BLOCK	47.30	1	EA	50	A
CY2.5	2.5 mm ² FEED THRU SCREW CLAMP TERMINAL	12.00	1	EA	100	A
CY2.5BU	2.5 mm ² FEED THRU SCREW CLAMP TB BLU	13.20	1	EA	100	A
CY4	4 mm ² FEED THRU SCREW CLAMP TERMINAL	14.50	1	EA	100	A
CY4/3	4 mm ² FEED THRU SCREW CLAMP 3 WIRE TB	32.90	1	EA	50	A
CY4/4	4 mm ² FEED THRU SCREW CLAMP 4 WIRE TB	46.10	1	EA	50	A
CY4BU	4 mm ² FEED THRU SCREW CLAMP TB BLU	16.00	1	EA	100	A
CY6	6 mm ² FEED THRU SCREW CLAMP TERMINAL	19.40	1	EA	100	A
CY6BU	6 mm ² FEED THRU SCREW CLAMP TB BLU	21.30	1	EA	100	A
CYDL2.5	2.5mm ² 2 LEVEL FD THRU SCREW CLMP TB	37.60	1	EA	50	A

Part #	Description	List Price in ₹	Per	UOM	Std. Pack	Group
CYDL2.5(I.S)	2.5mm ² 2 LEVEL FD THRU SC CL INT SHRT TB	54.60	1	EA	50	A
CYDL2.5BU	2.5mm ² 2 LEVEL FD THRU SCREW CLMP TB BLU	41.40	1	EA	50	A
CYDL4	4mm ² 2 LEVEL FD THRU SCREW CLMP TB	40.90	1	EA	50	A
CYDL4(I.S)	4mm ² 2 LVL FD THRU SC CL INT SHRT TB	54.00	1	EA	50	A
CYDL4ED1	4 MM ² 2 LEVEL SCREW CLAMP DIODE D1 TB	88.00	1	EA	50	A
CYDL4ED2	4 MM ² 2 LEVEL SCREW CLAMP DIODE D2 TB	88.00	1	EA	50	A
CYDL4ED3	4 MM ² 2 LEVEL SCREW CLAMP DIODE D3 TB	88.00	1	EA	50	A
CYDL4EDD1	4 MM ² 2 LEVEL SCREW CLAMP 2 DIODE DD1 TB	96.00	1	EA	50	A
CYDL4EDD2	4 MM ² 2 LEVEL SCREW CLAMP 2 DIODE DD2 TB	96.00	1	EA	50	A
CYDL4EDD3	4 MM ² 2 LEVEL SCREW CLAMP 2 DIODE DD3 TB	96.00	1	EA	50	A
CYDL4EDD4	4 MM ² 2 LEVEL SCREW CLAMP 2 DIODE DD4 TB	93.70	1	EA	50	A
CYDL4EDD512V	4 MM ² 2 LVL SCRW CL 12V DIODE DD5 TB	104.00	1	EA	50	A
CYDL4EDD524V	4 MM ² 2 LVL SCRW CL 24V DIODE DD5 TB	104.00	1	EA	50	A
CYDL4EL124V	4 MM ² 2 LEVEL SCREW CLAMP 24V LED L1 TB	104.00	1	EA	50	A
CYDL4EL224V	4 MM ² 2 LEVEL SCREW CLAMP 24V LED L2 TB	104.00	1	EA	50	A
CYDL4ELD124V	4 MM ² 2 LEVEL SCRW CLAMP 24V LED LD1 TB	104.00	1	EA	50	A
CYDL4ELD224V	4 MM ² 2 LEVEL SCRW CLAMP 24V LED LD2 TB	104.00	1	EA	50	A
CYDL4ELD312V	4 MM ² 2 LEVEL SCREW CLAMP 12V LED LD	104.00	1	EA	50	A
CYDL4ELD324V	4 MM ² 2 LEVEL SCREW CLAMP 24V LED LD3 TB	104.00	1	EA	50	A
CYDL4ELD424V	4 MM ² 2 LEVEL SCREW CLAMP 24V LED LD4 TB	104.00	1	EA	50	A
CYDL4ELD448V	4 MM ² 2 LEVEL SCREW CLAMP 48V LED LD4 TB	104.00	1	EA	50	A
CYDL4ELD5110V	4 MM ² 2 LEVEL SCRW CLAMP 110V LED LD5 TB	104.00	1	EA	50	A
CYDL4ELD5220V	4 MM ² 2 LEVEL SCRW CLAMP 220V LED LD5 TB	104.00	1	EA	50	A
CYDL4ELD524V	4 MM ² 2 LEVEL SCREW CLAMP 24V LED LD5 TB	104.00	1	EA	50	A
CYDLF4	4mm ² 2 LEVEL Ø5X20mm SCREW CL FUSE TB	121.50	1	EA	50	A
CYDLF4FT	4mm ² CYDLF PRO FEED THRU SCERW CL TB	112.90	1	EA	50	A
CYDLF4L110-240V	4mm ² Ø5X20mm FUSE SC CL TB LED 110-240V	164.50	1	EA	50	A
CYDLF4L6-60V	4mm ² Ø5X20mm FUSE SC CL TB LED 6-60V	164.50	1	EA	50	A
CYDLF4LR	4mm ² 2 LEVEL Ø5X20mm SCREW CL FU TB	161.10	1	EA	50	A
CYDLG2.5	2.5mm ² 2 LEVEL FD THRU SCRW CLMP GND TB	131.80	1	EA	50	A
CYDLG2.5(I.S)	2.5mm ² 2 LVL FD TH SC CL INT SHRT GND TB	171.40	1	EA	50	A
CYDLG4	4mm ² 2 LEVEL FD THRU SCRW CLMP GND TB	137.10	1	EA	50	A
CYDLG4(I.S)	4mm ² 2 LVL FD THRU SC CL INT SHRT GND TB	178.20	1	EA	50	A
CYDLGF4	4mm ² 2 LEVEL Ø5X20mm FUSE +GND SW CL TB	204.90	1	EA	50	A
CYDLGF4FT	4mm ² CYDLF PRO FEED THRU +GND SW CL TB	197.70	1	EA	50	A
CYDLGF4L110-240V	4mm ² 2 LEVEL Ø5X20mm FUSE +GND SW CL TB	227.00	1	EA	50	A
CYDLGF4L6-60V	4mm ² 2 LEVEL Ø5X20mm FUSE +GND SW CL TB	227.00	1	EA	50	A
CYDLGF4LR	4mm ² 2 LEVEL Ø5X20mm FUSE +GND SW CL TB	224.00	1	EA	50	A
CYDLGK4	4mm ² 2 LEVEL KNIFE DISCON +GND SW CL TB	197.70	1	EA	50	A
CYDLK4	4mm ² 2 LEVEL KNIFE DISCON SCREW CL TB	146.20	1	EA	50	A
CYF4	4mm ² Ø5X20mm FUSE 6mm WIDE TERMNAL BLOCK	62.90	1	EA	50	A
CYF4BU	4mm ² Ø5X20mm FUSE 6mm WIDE TB BLU	69.20	1	EA	50	A
CYF4L10-36V	4mm ² Ø5X20mm FUSE SC CL TB LED 10-36V	84.90	1	EA	50	A
CYF4L10-36V	4mm ² Ø5X20mm FUSE SC CL TB LED 10-36V	84.90	1	EA	50	A
CYF4L110-240V	4mm ² Ø5X20mm FUSE SC CL TB LED 110-240V	84.90	1	EA	50	A
CYF4L6-60V	4mm ² Ø5X20mm FUSE SC CL TB LED 6-60V	84.90	1	EA	50	A
CYG10	10 mm ² SCREW CLAMP GROUND TERMINAL	128.00	1	EA	50	A
CYG16	16 SQ.MM GROUND TERMINAL BLOCK	148.50	1	EA	50	A
CYG2.5	2.5 mm ² SCREW CLAMP GROUNDING TB	79.90	1	EA	100	A
CYG4	4 mm ² SCREW CLAMP GROUNDING TB	87.30	1	EA	100	A
CYG4/3	4 mm ² FEED THRU SP CL 3 WIRE GROUND TB	132.30	1	EA	50	A

Part #	Description	List Price in ₹	Per	UOM	Std. Pack	Group
CYG4/4	4 mm ² FEED THRU SP CL 4 WIRE GROUND TB	146.40	1	EA	50	A
CYG6	6 mm ² SCREW CLAMP GROUNDING TB	105.10	1	EA	100	A
CYK2.5	2.5 mm ² 2 WIRE KNIFE DISCON SCREW CL TB	40.50	1	EA	100	A
CYK2.5BU	2.5 mm ² 2 WIRE KNIFE DISCON SC CL TB BLU	44.60	1	EA	100	A
CYK2.5N	2.5 mm ² 2 WIRE KNIFE DISCON SCREW CL TB	40.50	1	EA	100	A
CYK4	4 mm ² 2 WIRE KNIFE DISCON SCREW CL TB	50.20	1	EA	50	A
CYK4BU	4 mm ² 2 WIRE KNIFE DISCON SCRW CL TB BLU	55.20	1	EA	50	A
CYTLF2.5	2.5MM ² 3 LEVEL FD THRU SCRW CLMP FUSE TB	173.70	1	EA	50	A
CYTLF2.5L110-240V	2.5MM ² 3 LVL SC CL FUSE TB LED 110-240V	225.80	1	EA	50	A
CYTLF2.5L6-60V	2.5MM ² 3 LVL SC CL FUSE TB LED 6-60V	225.80	1	EA	50	A
CYTLGF2.5	2.5MM ² 3 LEVEL SCRW CLMP FUSE GND TB	223.90	1	EA	50	A
CYTLGF2.5L110-240V	2.5MM ² 3 LVL SC FUSE GND TB LED 110-240V	291.00	1	EA	50	A
CYTLGF2.5L6-60V	2.5MM ² 3 LVL SC CL FUSE GND TB LED 6-60V	291.00	1	EA	50	A
DB16	16 MM ² 76AMP DISTRIBUTION BLOCK TB	314.10	1	EA	10	B
DB16BK	16 MM ² 76AMP DISTRIBUTION BLOCK TB BLK	345.50	1	EA	10	B
DB16BU	16 MM ² 76AMP DISTRIBUTION BLOCK TB BLU	345.50	1	EA	10	B
DB16GN	16 MM ² 76AMP DISTRIBUTION BLOCK TB GRN	345.50	1	EA	10	B
DB16R	16 MM ² 76AMP DISTRIBUTION BLOCK TB RED	345.50	1	EA	10	B
DB16W	16 MM ² 76AMP DISTRIBUTION BLOCK TB WHT	345.50	1	EA	10	B
DB16Y	16 MM ² 76AMP DISTRIBUTION BLOCK TB YLW	345.50	1	EA	10	B
DB35	35 MM ² 125AMP DISTRIBUTION BLOCK TB	448.50	1	EA	10	B
DB35BK	35 MM ² 125AMP DISTRIBUTION BLOCK TB BLK	493.40	1	EA	10	B
DB35BU	35 MM ² 125AMP DISTRIBUTION BLOCK TB BLU	493.40	1	EA	10	B
DB35GN	35 MM ² 125AMP DISTRIBUTION BLOCK TB GRN	493.40	1	EA	10	B
DB35R	35 MM ² 125AMP DISTRIBUTION BLOCK TB RED	493.40	1	EA	10	B
DB35Y	35 MM ² 125AMP DISTRIBUTION BLOCK TB YLW	493.40	1	EA	10	B
DDDL4U	4 mm ² 2 LEVEL DISCONNECT SCREW CLAMP TB	97.80	1	EA	20	B
DDDL4U/S	4 mm ² 2 LEVEL DISCONNECT SLTD SW CL TB	98.70	1	EA	20	B
DDDL4UBU	4 mm ² 2 LVL DISCONNECT SW CL TB BLU	107.60	1	EA	20	B
DDDL4ULR	4 mm ² 2 LEVEL DISCONNECT SCREW CLAMP TB	143.00	1	EA	20	B
DDDL4ULR220V	4 mm ² 2 LEVEL DISCONNECT SCREW CLAMP TB	178.80	1	EA	20	B
DDDL4ULR440V	4 mm ² 2 LEVEL DISCONNECT SCREW CLAMP TB	190.20	1	EA	20	B
DDFL4U	4 mm ² 2 LEVEL Ø5X20mm 6.3A SW CL FUSE TB	101.10	1	EA	20	B
DDFL4U0.5A	4mm ² 2 LVL Ø5X20mm 0.5A SW CL FUSE	101.20	1	EA	20	B
DDFL4U1A	4mm ² 2 LVL Ø5X20mm 1A SW CL FUSE	101.20	1	EA	20	B
DDFL4UBK	4 mm ² 2 LVL Ø5X20mm 6.3A SW CL FUSE BLK	111.20	1	EA	20	B
DDFL4UBU	4 mm ² 2 LVL Ø5X20mm 6.3A SW CL FUSE BLU	111.20	1	EA	20	B
DDFL4UE110-240RPWF	4mm ² 2 LVL SW CL REV PRNT 110-240V FU TB	111.30	1	EA	20	B
DDFL4UE110-240V	4 mm ² 2 LVL Ø5X20mm 6.3A FUSE 110-240V	122.20	1	EA	20	B
DDFL4UE110-240V2.0	4 mm ² 2 LVL Ø5X20mm 2.0A FUSE 110-240V	128.00	1	EA	20	B
DDFL4UE110-240VBK	4mm ² 2 LVL Ø5X20mm 6.3A FUSE 110-240V BK	140.80	1	EA	20	B
DDFL4UE110-240VW/F	4 mm ² 2 LVL Ø5X20mm W/O FUSE 110-240V TB	119.00	1	EA	20	B
DDFL4UE110V	4 mm ² 2 LVL Ø5X20mm 6.3A SW CL FUSE 110V	125.20	1	EA	20	B
DDFL4UE110VBK	4mm ² 2 LVL Ø5X20mm 6.3A SWCL FU 110V BLK	137.70	1	EA	20	B
DDFL4UE110VW/F	4 mm ² 2 LVL Ø5X20mm SCREW CL FUSE 110V	119.00	1	EA	20	B
DDFL4UE220V	4 mm ² 2 LVL Ø5X20mm 6.3A SW CL FUSE 220V	125.20	1	EA	20	B
DDFL4UE220V2A	4mm ² 2 LVL Ø5X20mm 2A SWCL FUSE 220V	137.70	1	EA	20	B
DDFL4UE220VBK	4mm ² 2 LVL Ø5X20mm 6.3A SWCL FU 220V BLK	137.70	1	EA	20	B
DDFL4UE220VW/F	4 mm ² 2 LVL Ø5X20mm SCREW CL FUSE 220V	119.00	1	EA	20	B
DDFL4UE24V	4 mm ² 2 LVL Ø5X20mm 6.3A SW CL FUSE 24V	125.20	1	EA	20	B
DDFL4UE24V1A	4 mm ² 2 LVL Ø5X20mm 1A SW CL FUSE 24V	125.20	1	EA	20	B

Part #	Description	List Price in ₹	Per	UOM	Std. Pack	Group
DDFL4UE24V27KREV	4 mm ² 2 LVL Ø5X20mm SW CL FUSE 24V REV	125.20	1	EA	20	B
DDFL4UE24V2A	4 mm ² 2 LVL Ø5X20mm 2A SW CL FUSE 24V	125.20	1	EA	20	B
DDFL4UE24VBK	4 mm ² 2 LVL Ø5X20mm SW CL FUSE 24V BLK	137.70	1	EA	20	B
DDFL4UE24VBU	4 mm ² 2 LVL Ø5X20mm SW CL FUSE 24V BLU	137.70	1	EA	20	B
DDFL4UE24VBUW/F	4 MM ² 2LVL Ø5X20MM SW CL W/O FUS 24V BLU	124.00	1	EA	20	B
DDFL4UE24VW/F	4 mm ² 2 LVL Ø5X20mm SCREW CL FUSE 24V	119.00	1	EA	20	B
DDFL4UE440V	4 mm ² 2 LVL Ø5X20mm 6.3A SWCL FU 440	142.60	1	EA	20	B
DDFL4UE48V	4 mm ² 2 LVL Ø5X20mm 6.3A SW CL FUSE 48V	125.20	1	EA	20	B
DDFL4UE48VW/F	4 mm ² 2 LVL Ø5X20mm SCREW CL FUSE 48V	119.00	1	EA	20	B
DDFL4UE6-60V	4 mm ² 2 LVL Ø5X20mm 6.3A SW CL FUS 6-60V	122.20	1	EA	20	B
DDFL4UE6-60VBU	4 mm ² 2 LVL Ø5X20mm 6.3A FUSE 6-60V BLUE	140.80	1	EA	20	B
DDFL4UCLR110V	4 mm ² 2 LVL Ø5X20mm 6.3A SW CL FUSE	142.60	1	EA	20	B
DDFL4UCLR220V	4 mm ² 2 LVL Ø5X20mm 6.3A SW CL FUSE 220V	142.60	1	EA	20	B
DDFL4UCLR24V	4 mm ² 2 LVL Ø5X20mm 6.3A SW CL FUSE 24V	142.60	1	EA	20	B
DDFL4UCLR24VW/F	4 mm ² 2 LVL Ø5X20mm SW CL W/O FUSE 24V	136.20	1	EA	20	B
DDFL4UCLR48V	4 mm ² 2 LVL Ø5X20mm 6.3A SW CL FUSE 48V	142.60	1	EA	20	B
DDFL4ULR	4 mm ² 2 LEVEL Ø5X20mm 6.3A SW CL FUSE TB	113.30	1	EA	20	B
DDFL4ULRR	4mm ² 2 LVL Ø5X20mm 6.3A SWCL FUS RED	124.60	1	EA	20	B
DDFL4ULRW/F	4 mm ² 2 LEVEL Ø5X20mm SCREW CL FUSE TB	108.90	1	EA	20	B
DDFL4UR	4 mm ² 2 LVL Ø5X20mm 6.3A SW CL FUSE RED	111.20	1	EA	20	B
DDFL4UW/F	4 mm ² 2 LEVEL Ø5X20mm SCREW CL FUSE TB	91.00	1	EA	20	B
DDFL4UW/FBK	4 mm ² 2 LEVEL Ø5X20mm SCREW CL FUSE BLK	100.10	1	EA	20	B
DDFL4UW/FBU	4 MM ² 2 LEVEL Ø5X20MM SCREW CL FUSE BLU	100.10	1	EA	20	B
DDFL4UY	4 mm ² 2 LVL Ø5X20mm 6.3A SW CL FUSE YLW	111.20	1	EA	20	B
DDPT	2 LEVEL MS SCREW 11mm PITCH PCB TB	44.00	1	EA	50	A
ECAP35/15	CA701-35/15 DIN RAIL CAP	11.70	1	EA	100	A
ECAP35/7.5	CA701-35/7.5 DIN RAIL CAP	9.10	1	EA	100	A
EP1ODL2.5	SPACER PLATE FOR ODL2.5	6.20	1	EA	50	B
EP1ODL4U	END PLATE FOR ODL4U	7.30	1	EA	50	B
EP2.5/4UN	END PLATE FOR CTS2.5UN/4UN	6.20	1	EA	50	B
EP2.5/4UNBG	END PLT FR 2.5UN/4UN BGE	6.90	1	EA	50	B
EP2.5/4UNBK	END PLT FR 2.5UN/4UN BLK	6.90	1	EA	50	B
EP2.5/4UNBR	END PLT FR 2.5UN/4UN BRN	6.90	1	EA	50	B
EP2.5/4UNBU	END PLATE FOR CTS2.5UN/4UN BLUE	6.90	1	EA	50	B
EP2.5/4UNGN	END PLT FR 2.5UN/4UN GRN	6.90	1	EA	50	B
EP2.5/4UNO	END PLT FR 2.5UN/4UN ORG	6.90	1	EA	50	B
EP2.5/4UNR	END PLT FR 2.5UN/4UN RED	6.90	1	EA	50	B
EP2.5/4UNW	END PLT FR 2.5UN/4UN WHT	6.90	1	EA	50	B
EP2.5/4UNY	END PLT FR 2.5UN/4UN YLW	6.90	1	EA	50	B
EP4P	PARTITION PLATE FOR CTS35L/70L/95L	36.40	1	EA	10	C
EP6/10U	END PLATE FOR CTS6U/10U	6.80	1	EA	50	B
EP6/10UBG	END PLT FR CTS6U/10U BGE	7.40	1	EA	50	B
EP6/10UBK	END PLT FR CTS6U/10U BLK	7.40	1	EA	50	B
EP6/10UBR	END PLT FR CTS6U/10U BRN	7.40	1	EA	50	B
EP6/10UBU	END PLATE FOR CTS6U/10U BLUE	7.40	1	EA	50	B
EP6/10UGN	END PLT FR CTS6U/10U GRN	7.40	1	EA	50	B
EP6/10UR	END PLT FR CTS6U/10U RED	7.40	1	EA	50	B
EP6/10UW	END PLT FR CTS6U/10U WHT	7.40	1	EA	50	B
EP6/10UY	END PLT FR CTS6U/10U YLW	7.40	1	EA	50	B
EPAS2.5	END PLATE FOR AS2.5 SERIES	9.10	1	EA	50	A
EPAS2.5BU	PA END PLT FR AS2.5 BLU	10.00	1	EA	50	A

Part #	Description	List Price in ₹	Per	UOM	Std. Pack	Group
EPAS2.50	END PLATE FOR AS2.5 ORANGE SERIES	10.00	1	EA	50	A
EPAS4	END PLATE FOR AS4 SERIES	10.50	1	EA	50	A
EPAS4BU	END PLATE FOR AS4 BLUE SERIES	11.50	1	EA	50	A
EPAS6	END PLATE FOR AS6 SERIES	15.50	1	EA	50	A
EPCAF4U	END PLATE FOR CAF4U	12.70	1	EA	50	B
EPCBDT4U	END PLATE FOR CBDT4U	14.70	1	EA	50	B
EPCBDT4UBK	END PLATE FOR CBDT4UBK	16.20	1	EA	50	B
EPCBDT4UN	END PLATE FOR CBDT4UN	14.70	1	EA	50	B
EPCBDT4UR	END PLATE FOR CBDT4UR	16.20	1	EA	50	B
EPCBS3U	END PLATE FOR CBS & CSB SERIES TB	9.80	1	EA	50	B
EPCBS3UBK	END PLATE FOR CBS & CSB SERIES TB BLK	10.90	1	EA	50	B
EPCBS3UGN	END PLT FR BARR TYPE SCRW TB GRN	10.90	1	EA	50	B
EPCDL4U	END PLATE FOR CDL4U	14.00	1	EA	50	B
EPCDL4UBU	END PLT FR CDL4U BLU	15.40	1	EA	50	B
EPCDL4UGN	END PLT FR CDL4U GRN	15.40	1	EA	50	B
EPCDL4UN	END PLATE FOR CDL4UN	11.60	1	EA	50	B
EPCDL4UNBK	END PLT FR CDL4UN BLK	13.50	1	EA	50	B
EPCDL4UNBR	END PLT FR CDL4UN BRN	13.50	1	EA	50	B
EPCDL4UNBU	END PLATE FOR CDL4UN BLUE	13.50	1	EA	50	B
EPCDL4UNR	END PLT FR CDL4UN RED	13.50	1	EA	50	B
EPCDL4UNW	END PLT FR CDL4UN WHT	13.50	1	EA	50	B
EPCDLG2.5	END PLATE FOR CDLG2.5	21.10	1	EA	50	B
EPCDS6U	END PLATE FOR CDS6U	12.70	1	EA	50	B
EPCDTTU	END PLATE FOR CDTTU	16.10	1	EA	50	B
EPCDTTUBK	END PLT FR CDTTU BLK	17.70	1	EA	50	B
EPCDTTUBR	END PLT FR CDTTU BRN	17.70	1	EA	50	B
EPCGT4UY	END PLATE FOR CGT4U YELLOW	11.20	1	EA	50	B
EPCKT4U	END PLATE FOR CKT4U	10.50	1	EA	50	B
EPCKT4U/4	END PLATE FOR CKT4U/4	16.00	1	EA	50	B
EPCKT4UBK	END PLT FR CKT4U BLK	11.60	1	EA	50	B
EPCM1.5S	END PLATE FOR CM1.5S/S2	3.90	1	EA	50	A
EPCM2.5S	END PLATE FOR CM2.5S/S2	4.20	1	EA	50	A
EPCM2.5SO	END PLATE FOR CM2.5SO/S2O	4.60	1	EA	50	A
EPCM2.5SR	END PLATE FOR CM2.5S/S2 RED	4.60	1	EA	50	A
EPCM4S	END PLATE FOR CM4S/S2	6.80	1	EA	50	A
EPCMB4	END PLATE FOR CMB4	7.60	1	EA	50	B
EPCMB4BU	END PLT FR CMB4 BLU	9.60	1	EA	50	B
EPCMB4R	END PLT FR CMB4 RED	9.60	1	EA	50	B
EPCMB4W	END PLT FR CMB4 WHT	9.60	1	EA	50	B
EPCMC1-2	END PLATE FOR CMC1-2	11.90	1	EA	50	B
EPCMC2-2	END PLATE FOR CMC2-2	16.00	1	EA	50	B
EPCMDT4	END PLATE FOR CMDT4	15.80	1	EA	50	C
EPCMDT4BK	END PLATE FOR CMDT4 BLACK	17.40	1	EA	50	C
EPCMS2.5	END PLATE FOR CMS2.5	6.10	1	EA	50	A
EPCMT10	END PLATE FOR CMT10	8.50	1	EA	50	A
EPCMT4	END PLATE FOR CMT4	6.50	1	EA	50	B
EPCMT4BK	END PLT FR CMT4 BLK	7.10	1	EA	50	B
EPCMT4BU	END PLT FR CMT4 BLU	7.10	1	EA	50	B
EPCMT4GN	END PLT FR CMT4 GRN	7.10	1	EA	50	B
EPCMT4R	END PLT FR CMT4 RED	7.10	1	EA	50	B
EPCMT4Y	END PLT FR CMT4 YLW	7.10	1	EA	50	B

Part #	Description	List Price in ₹	Per	UOM	Std. Pack	Group
EPCP1.5	END PLATE FOR CP1.5	5.80	1	EA	50	A
EPCP1.5/3	END PLATE FOR CP1.5/3	7.30	1	EA	50	A
EPCP1.5/4	END PLATE FOR CP1.5/4	9.10	1	EA	50	A
EPCP4LG2.5	EP FOR CP4LG2.5	48.80	1	EA	30	A
EPCPDL1.5	END PLATE FOR CPDL1.5	11.20	1	EA	50	A
EPCPDL4	END PLATE FOR CPDL4	19.20	1	EA	50	A
EPCPDLK2.5	END PLATE FOR CPDLK2.5	25.20	1	EA	50	A
EPCPPT2.5/3	END PLATE FOR CPPT2.5/3	34.70	1	EA	50	A
EPCPPT2.5/4	END PLATE FOR CPPT2.5/4 GRY	41.80	1	EA	50	A
EPCPTL2.5	END PLATE FOR EPCPTL2.5	27.80	1	EA	50	A
EPCSC16/3T	END PLATE FOR CSC16/3T	20.90	1	EA	50	A
EPCSC16T	END PLATE FOR CSC16T	14.70	1	EA	50	A
EPCSC16TBU	END PLT FR CSC16T BLU	16.10	1	EA	50	A
EPCSCP2.5T	END PLATE FOR CSCP2.5T	8.50	1	EA	50	A
EPCSFL4U	END PLATE FOR CSFL4U	11.90	1	EA	50	B
EPCSFL4UY	END PLT FR CSFL4U YLW	13.10	1	EA	50	B
EPCSTSB4/N4	END PLATE FOR CSTSB4/N4	9.90	1	EA	50	C
EPCSTSB4/N4R	MEL END PLT FR CSTSB4/N4 RED	11.00	1	EA	50	C
EPCSTSU	END PLATE FOR CSTSN4/N5U	10.50	1	EA	50	B
EPCSTSUBK	END PLT FR CSTSN4/N5U BLK	11.60	1	EA	50	B
EPCSTSUBU	END PLT FR CSTSN4/N5U BLU	11.60	1	EA	50	B
EPCSTSUGN	END PLT FR CSTSN4/N5U GRN	11.60	1	EA	50	B
EPCTC4U	END PLATE FOR CTC4U	9.20	1	EA	50	A
EPCTL2.5U	END PLATE FOR CTL2.5U	16.00	1	EA	50	B
EPCTL2.5UBK	END PLT FR CTL2.5U BLK	17.60	1	EA	50	B
EPCTL2.5UBU	END PLT FR CTL2.5U BLU	17.60	1	EA	50	B
EPCTL2.5UH	END PLATE FOR CTL2.5UH	11.90	1	EA	50	B
EPCTL2.5UO	END PLT FR CTL2.5U ORG	11.90	1	EA	50	B
EPCTL2.5UR	END PLT FR CTL2.5U RED	11.90	1	EA	50	B
EPCTLG2.5	END PLATE FOR CTLG2.5	31.10	1	EA	50	B
EPCX10	END PLATE FOR CX10 & CXG10	9.00	1	EA	50	A
EPCX10/3	END PLATE FOR CX10/3 & CXG10/3	11.20	1	EA	20	A
EPCX10BK	END PLATE FOR CX10 & CXG10 BLK	9.90	1	EA	50	A
EPCX10BU	END PLATE FOR CX10 & CXG10 BLU	9.90	1	EA	50	A
EPCX10GN	END PLATE FOR CX10 & CXG10 GRN	9.90	1	EA	50	A
EPCX10R	END PLATE FOR CX10 & CXG10 RED	12.30	1	EA	50	A
EPCX2.5	END PLATE FOR CX2.5/CXG2.5	6.10	1	EA	50	A
EPCX2.5/3	END PLATE FOR CX2.5/3 & CXG2.5/3	7.60	1	EA	50	A
EPCX2.5/3BU	END PLATE FOR CX2.5/3 & CXG2.5/3 BLUE	8.40	1	EA	50	A
EPCX2.5/3RL	END PLATE 2.5MM THICK FOR RAILWAY	7.70	1	EA	50	A
EPCX2.5/4	END PLATE FOR CX2.5/4&CXK2.5/4&CXG2.5/4	8.00	1	EA	50	A
EPCX2.5/4/2B	END PLATE FOR CX2.5/4/2B	14.00	1	EA	50	A
EPCX2.5/4/4B	END PLATE FOR CX2.5/4/4B	16.80	1	EA	50	A
EPCX2.5/4BU	END PLATE FOR CX2.5/4&CXG2.5/4 BLUE	8.70	1	EA	50	A
EPCX2.5/4O	END PLATE FOR CX2.5/4 ORANGE	8.70	1	EA	50	A
EPCX2.5/4RL	END PLATE 2.5MM THICK FOR RAILWAY	12.60	1	EA	50	A
EPCX2.5BK	END PLATE FOR CX2.5/CXG2.5 BLACK	6.70	1	EA	50	A
EPCX2.5BU	END PLATE FOR CX2.5/CXG2.5 BLUE	6.70	1	EA	50	A
EPCX2.5O	END PLATE FOR CX2.5 AND CXG2.5 ORANGE	6.70	1	EA	50	A
EPCX2.5SN	END PLATE FOR CX2.5SN	6.30	1	EA	50	A
EPCX4	END PLATE FOR CX4 & CXG4	7.30	1	EA	50	A

Part #	Description	List Price in ₹	Per	UOM	Std. Pack	Group
EPCX4/3	END PLATE FOR CX4/3 & CXG4/3	9.20	1	EA	50	A
EPCX4/4	END PLATE FOR CX4/4 & CXG4/4	11.00	1	EA	50	A
EPCX4/4BU	END PLATE FOR CX4/4 BLUE	12.00	1	EA	50	A
EPCX4BK	END PLATE FOR CX4 & CXG4 BLACK	8.00	1	EA	50	A
EPCX4BU	END PLATE FOR CX4 & CXG4 BLUE	8.00	1	EA	50	A
EPCX4O	END PLATE FOR CX4 & CXG4 ORANGE	8.00	1	EA	50	A
EPCX4R	END PLATE FOR CX4 & CXG4 RED	8.50	1	EA	50	A
EPCX6	END PLATE FOR CX6 & CXG6	8.80	1	EA	50	A
EPCX6/3	END PLATE FOR CX6/3 & CXG6/3	10.50	1	EA	50	A
EPCX6BU	END PLATE FOR CX6 & CXG6 BLU	10.20	1	EA	50	A
EPCX6R	END PLATE FOR CX6 & CXG6 RED	10.20	1	EA	50	A
EPCXCP2.5/4	END PLATE FOR CXCP2.5/4	9.60	1	EA	50	A
EPCXDL2.5	END PLATE FOR CXDL2.5 SERIES	11.20	1	EA	50	A
EPCXDL2.5/2B	END PLATE FOR CXDL2.5/2B	16.80	1	EA	50	A
EPCXM2.5	END PLATE FOR CXM2.5	6.20	1	EA	50	A
EPCXS10	END PLATE FOR CXS10 & CXSG10	11.40	1	EA	50	B
EPCXS2.5	END PLATE FOR CXS2.5 & CXS4	5.20	1	EA	50	A
EPCXS2.5O	END PLATE FOR CXS2.5 ORG	5.70	1	EA	50	A
EPCXS6	END PLATE FOR EPCXS6	11.25	1	EA	50	B
EPCY2.5/10	END PLATE FOR CY2.5/4/6/10 CYG2.5/4/6/10	7.70	1	EA	50	A
EPCY4/3	END PLATE FOR CY4/3 & CYG4/3	14.00	1	EA	50	A
EPCY4/4	END PLATE FOR CY4/4 & CYG4/4	19.60	1	EA	50	A
EPCYDL2.5/4	END PLATE FOR CYDL2.5 & CYDL4	13.00	1	EA	50	A
EPDDL4U	END PLATE FOR DDFL4U	16.10	1	EA	50	B
EPDDL4UBK	END PLATE FOR DDFL4U BLK	17.70	1	EA	50	B
EPDDL4UBU	END PLT FR DDFL4U BLU	17.70	1	EA	50	B
EPODL2.5	END PLATE FOR ODL2.5	15.50	1	EA	50	B
EPODL4U	END PLATE FOR ODL4U(FS)	18.20	1	EA	50	B
EPSTH3	END PLATE FOR STH3	9.80	1	EA	50	B
EPSTH4	END PLATE FOR STH4	10.40	1	EA	50	B
EPSTH4DT	END PLATE FOR STH4DT	15.50	1	EA	50	B
EPSTH6	END PLATE FOR STH6	14.00	1	EA	50	B
FPCMST	PA FIXING PLT FR CMST1	8.60	1	EA	50	A
GMH1	GROUP MARKER HOLDER MOUNTED ON CA602	8.40	1	EA	100	B
GMH2	GROUP MARKER HOLDER MOUNTED ON CA702	8.40	1	EA	100	B
GMH3	GROUP MARKER HOLDER MOUNTED ON CA702	8.40	1	EA	100	B
GMH4	GROUP MARKER HOLDER MOUNTED ON CA802	8.40	1	EA	100	B
GMH5	GROUP MARKER HOLDER MOUNTED ON CA702	8.40	1	EA	100	B
GMH6	GROUP MARKR HOLDR MOUNTD ON DIN RAILS	17.20	1	EA	50	B
GMH7	GROUP MARKR HOLDR MOUNTD ON DIN RAILS	26.10	1	EA	50	B
GMH8	GROUP MARKER HOLDER MOUNTED ON CA103	16.60	1	EA	100	B
GMH8GN	PA GRP MARKR HOLDR MNTD ON CA103 GRN	18.30	1	EA	100	B
GMH8N	GROUP MARKER HOLDER MOUNTED ON CA103-6mm	15.50	1	EA	100	B
GMH9	GROUP MARKER HOLDER MOUNTED ON CA103/104	21.00	1	EA	100	B
JX1.5/10	10 POLE SHRT LNK FR 3.5MM WIDE SP CL TB	77.80	1	EA	10	A
JX1.5/2	2 POLE SHRT LNK FR 3.5MM WIDE SP CL TB	9.60	1	EA	100	A
JX1.5/3	3 POLE SHRT LNK FR 3.5MM WIDE SP CL TB	16.70	1	EA	100	A
JX1.5/4	4 POLE SHRT LNK FR 3.5MM WIDE SP CL TB	30.30	1	EA	100	A
JX10/2	2 POLE SHRT LNK FR 10MM WIDE SP CL TB	38.30	1	EA	20	A
JX2.5/10	10 POLE SHRT LNK FR 5MM WIDE SP CL TB	78.50	1	EA	10	A
JX2.5/2	2 POLE SHRT LNK FR 5MM WIDE SP CL TB	10.20	1	EA	100	A

Part #	Description	List Price in ₹	Per	UOM	Std. Pack	Group
JX2.5/3	3 POLE SHRT LNK FR 5MM WIDE SP CL TB	17.70	1	EA	50	A
JX2.5/4	4 POLE SHRT LNK FR 5MM WIDE SP CL TB	30.30	1	EA	50	A
JX2.5/5	5 POLE SHRT LNK FR 5MM WIDE SP CL TB	45.30	1	EA	50	A
JX2.5/6	6 POLE SHRT LNK FR 5MM WIDE SP CL TB	55.90	1	EA	10	A
JX2.5/7	7 POLE SHRT LNK FR 5MM WIDE SP CL TB	60.40	1	EA	10	A
JX2.5/8	8 POLE SHRT LNK FR 5MM WIDE SP CL TB	68.00	1	EA	10	A
JX4/10	10 POLE SHRT LNK FR 6MM WIDE SP CL TB	104.80	1	EA	10	A
JX4/16	16 POLE SHRT LNK FR 6MM WIDE SP CL TB	164.60	1	EA	10	A
JX4/2	2 POLE SHRT LNK FR 6MM WIDE SP CL TB	17.40	1	EA	100	A
JX4/3	3 POLE SHRT LNK FR 6MM WIDE SP CL TB	29.90	1	EA	50	A
JX4/4	4 POLE SHRT LNK FR 6MM WIDE SP CL TB	44.90	1	EA	50	A
JX4/5	5 POLE SHRT LNK FR 6MM WIDE SP CL TB	59.90	1	EA	50	A
JX4/6	6 POLE SHRT LNK FR 6MM WIDE SP CL TB	71.80	1	EA	50	A
JX4/8	8 POLE SHRT LNK FR 6MM WIDE SP CL TB	74.80	1	EA	10	A
JX6/10	10 POLE SHRT LNK FR 8MM WIDE SP CL TB	149.60	1	EA	10	A
JX6/2	2 POLE SHRT LNK FR 8MM WIDE SP CL TB	26.30	1	EA	100	A
JX6/3	3 POLE SHRT LNK FR 8MM WIDE SP CL TB	44.90	1	EA	50	A
JX6/4	4 POLE SHRT LNK FR 8MM WIDE SP CL TB	62.90	1	EA	50	A
JX6/5	5 POLE SHRT LNK FR 8MM WIDE SP CL TB	73.10	1	EA	50	A
JXS10/2.5	2P STEP DOWN INSU SHRT LNK FR CX10 CX2.5	70.50	1	EA	50	A
JXS10/4	2P STEP DOWN INSU SHRT LNK FR CX10 & CX4	70.50	1	EA	50	A
JXS10/6	2P STEP DOWN INSU SHRT LNK FR CX10 & CX6	71.90	1	EA	50	A
JXS6/2.5	2P STEP DOWN INSU SHRT LNK FR CX6 CX2.5	70.50	1	EA	50	A
JXS6/4	2P STEP DOWN INSU SHRT LNK FR CX6 & CX4	70.50	1	EA	50	A
JY10/2	2 POLE INSULATED SHORTING LINK FOR CY10	38.30	1	EA	20	A
JY6/10	10 POLE INSULATED SHORTING LINK FOR CY6	150.50	1	EA	10	A
JY6/2	2 POLE INSULATED SHORTING LINK FOR CY6	26.30	1	EA	100	A
JY6/3	3 POLE INSULATED SHORTING LINK FR CY6	44.90	1	EA	50	A
JY6/4	4 POLE INSULATED SHORTING LINK FR CY6	59.10	1	EA	50	A
JY6/5	5 POLE INSULATED SHORTING LINK FR CY6	73.10	1	EA	50	A
JY6/6	6 POLE INSULATED SHORTING LINK FR CY6	89.20	1	EA	100	A
JY6/7	7 POLE INSULATED SHORTING LINK FR CY6	103.20	1	EA	50	A
JY6/8	8 POLE INSULATED SHORTING LINK FR CY6	118.30	1	EA	50	A
JYS10/2.5	2P STEP DWN INS SHRT LNK FR CY10 & CY2.5	70.50	1	EA	20	A
LCCDS	LOCK OUT CAP FOR CDS6U	8.00	1	EA	50	A
LCSTH4DT	LOCK OUT CAP FOR STH4DT	10.60	1	EA	50	A
MC10	MARKER CARD 9.95MM PITCH WITH 420 TAGS	510.00	1	PKT	1	B
MC10WP	PRNTD MARKER CARD 9.95MM PITCH 420 TAGS	592.00	1	PKT	1	B
MC12	MARKER CARD 11.95MM PITCH WITH 360 TAGS	525.00	1	PKT	1	B
MC12WP	PRNTD MARKER CARD 11.95MM PITCH 360 TAGS	602.00	1	PKT	1	B
MC16	MARKER CARD 15.95MM PITCH WITH 300 TAGS	415.00	1	PKT	1	B
MC16WP	PRNTD MARKER CARD 15.95MM PITCH 300 TAGS	485.00	1	PKT	1	B
MC2	MARKER CARD 6.25MM PITCH WITH 720 TAGS	698.00	1	PKT	1	B
MC2B4	MARKER CARD 5.95MM PITCH WITH 720 TAGS	698.00	1	PKT	1	B
MC2B4WP	PRNTD MARKER CARD 5.95MM PITCH 720 TAGS	806.00	1	PKT	1	B
MC2WP	PRNTD MARKER CARD 6.25MM PITCH 720 TAGS	806.00	1	PKT	1	B
MC3.5	MARKER CARD 3.5MM PITCH WITH 1200 TAGS	1005.00	1	PKT	1	B
MC3.5WP	PRNTD MARKER CARD 3.5MM PITCH 1200 TAGS	1161.00	1	PKT	1	B
MC4	MARKER CARD 4.5MM PITCH WITH 840 TAGS	817.00	1	PKT	1	B
MC4WP	PRNTD MARKER CARD 4.5MM PITCH 840 TAGS	946.00	1	PKT	1	B
MC5	MARKER CARD 4.95MM PITCH WITH 840 TAGS	817.00	1	PKT	1	B

Part #	Description	List Price in ₹	Per	UOM	Std. Pack	Group
MC5WP	PRNTD MARKER CARD 4.95MM PITCH 840 TAGS	946.00	1	PKT	1	B
MC6	MARKER CARD 5.95MM PITCH WITH 720 TAGS	698.00	1	PKT	1	B
MC6WP	PRNTD MARKER CARD 5.95MM PITCH 720 TAGS	806.00	1	PKT	1	B
MC8	MARKER CARD 7.95MM PITCH WITH 480 TAGS	532.00	1	PKT	1	B
MC8WP	PRNTD MARKER CARD 7.95MM PITCH 480 TAGS	618.00	1	PKT	1	B
MC9	MARKER CARD 9 MM PITCH WITH 420 TAGS	510.00	1	PKT	1	B
MC9WP	PRNTD MARKER CARD 9 MM PITCH 420 TAGS	592.00	1	PKT	1	B
MH2.5(FG)	MOUNTING HANDLE SUITABLE FOR 2.5UN/2.5UE	143.20	1	EA	1	B
MH4(FG)	MOUNTING HANDLE SUITABLE FOR 4UN	143.10	1	EA	1	B
MHPTB35/50	MARKER HOLDER FOR PTB35/50	9.00	1	EA	10	B
MHPTB70/95	MARKER HOLDER FOR PTB70/95	10.80	1	EA	10	B
MS3.5/H/1-10	MS3.5 100 MT HOR PRINT 1-10	95.70	1	PKT	1	A
MS3.5/H/11-20	MS3.5 100 MT HOR PRINT 11-20	95.70	1	PKT	1	A
MS3.5/H/21-30	MS3.5 100 MT HOR PRINT 21-30	95.70	1	PKT	1	A
MS3.5WHT	MS3.5 100 MT HOR PRINT MARKER BLANK	83.70	1	PKT	1	A
MS3.5WP	MS3.5 100 MT HOR PRINTED MARKERS WHT	95.60	1	PKT	1	A
MS5WHT	5 MM WIDE MARKER (STRIP) BLANK	83.70	1	PKT	1	A
MS5WP	5 MM WIDE MARKER (STRIP) PRINTED	95.60	1	PKT	1	A
NEB10	COPPER BUS BAR 10X3mm 1METER LONG	1092.60	1	EA	10	A
NEB6	COPPER BUS BAR 6X6mm 1METER LONG	1092.60	1	EA	10	A
NES	PLASTIC SUPPORT FOR NEB	13.00	1	EA	50	B
NESCC	END BRACKET AND SUPPORT FOR NEB BUSBAR	258.00	1	EA	10	B
ODL2.5	2.5 mm ² OFFSET 2 LVL SW CL TB	33.40	1	EA	50	B
ODL2.5(I.S)	2.5mm ² 2 LVL OFFSET INT SHRT SW CL TB	46.60	1	EA	50	B
ODL2.5A	2.5 mm ² MODULAR OFFSET 2 LVL SW CL TB	32.70	1	EA	50	B
ODL2.5A(I.S)	2.5mm ² MODULR OFFSET 2L INT SHRT SWCL TB	43.40	1	EA	50	B
ODL4U	4 mm ² FEED THRU OFFSET 2 LEVEL SW CL TB	34.70	1	EA	50	B
ODL4UA	4 mm ² FEED THRU OFFSET 2LVL STACKABLE TB	39.00	1	EA	50	B
ODL4UBK	4 mm ² FEED THRU OFFSET 2LVL SW CL TB BLK	38.20	1	EA	50	B
ODL4UBU	4 mm ² FEED THRU OFFSET 2LVL SW CL TB BLU	38.20	1	EA	50	B
ODL4UY	4 MM ² FEED THRU OFFSET 2LVL SW CL TB YLW	38.20	1	EA	50	B
ODLG2.5	2.5mm ² 2 LVL OFFSET GND SW CL TB	112.00	1	EA	50	B
ODLG2.5(I.S)	2.5mm ² OFFSET 2L INT SHRT GND SW CL TB	123.50	1	EA	50	B
ODLG2.5A	2.5mm ² MODULAR OFFSET 2 LVL GND SW CL TB	114.70	1	EA	50	B
ODLG2.5A(I.S)	2.5mm ² MODULAR OFFSET 2L INT SHRT GND TB	126.40	1	EA	50	B
PDB120	120 mm ² 250 AMP DISTRIBUTION BLOCK	2756.30	1	EA	10	B
PDB185	185 mm ² 400 AMP DISTRIBUTION BLOCK	3153.20	1	EA	1	B
PDB70	70 mm ² 160 AMP DISTRIBUTION BLOCK	1885.30	1	EA	1	B
PP2.5/4UN	PARTITION PLATE FOR CTS2.5UN/4UN/2.5UE	12.30	1	EA	50	B
PP2.5/4UNBK	PART PLT FR 2.5UN/4UN BLK	13.40	1	EA	50	B
PP2.5/4UNBU	PART PLT FR 2.5UN/4UN BLU	13.40	1	EA	50	B
PP2.5/4UNGN	PART PLT FR 2.5UN/4UN GRN	13.40	1	EA	50	B
PP2.5/4UNO	PART PLT FR 2.5UN/4UN ORG	13.40	1	EA	50	B
PP2.5/4UNR	PART PLT FR 2.5UN/4UN RED	13.40	1	EA	50	B
PP2.5/4UNY	PART PLT FR 2.5UN/4UN YLW	13.40	1	EA	50	B
PP25UN	PARTITION PLATE FOR CTS25UN	16.40	1	EA	50	B
PP35UN	PARTITION PLATE FOR CTS35UN	18.10	1	EA	50	B
PP6/10U	PARTITION PLATE FOR CTS6U/10U	15.20	1	EA	50	B
PP6/10UBU	PART PL FR CTS6U/10U BLU	16.70	1	EA	50	B
PP6/10UGN	PARTITION PLATE FOR CTS6U/10U GRN	16.70	1	EA	50	B
PPCBB	PARTITION PLATE FOR CBB35/50 /CBB70	34.00	1	EA	10	B

Part #	Description	List Price in ₹	Per	UOM	Std. Pack	Group
PPCBB1	PARTITION PLATE FOR CBB95/120/150/185	39.30	1	EA	10	B
PPCMT4	PARTITION PLATE FOR CMT4	8.30	1	EA	50	B
PPCMT4BU	PARTITION PLATE FOR CMT4 BLUE	9.10	1	EA	50	B
PPCSFL4U	PARTITION PLATE FOR CSFL4U & CSDL4U	15.90	1	EA	50	B
PPCX10	PARTITION PLATE FOR CX10	13.10	1	EA	20	A
PPCX4	PARTITION PLATE FOR CX4	9.20	1	EA	50	A
PPCX4/3	PARTITION PLATE FOR CX4/3	11.40	1	EA	50	A
PPCX4/4	PARTITION PLATE FOR CX4/4	15.20	1	EA	50	A
PPCY2.5/10	PARTITION PLATE FOR CY2.5/4/6/10	14.30	1	EA	50	A
PPCYDL2.5/4	PARTITION PLATE FOR CYDL2.5 CYDL4	18.00	1	EA	50	A
PSPTB35/50	PROTECTIVE SHROUD FOR PTB35/50	19.50	1	EA	20	B
PSPTB35/50BK	PROTECTIVE SHROUD FOR PTB35/50 BLK	21.90	1	EA	20	B
PSPTB35/50BU	PROTECTIVE SHROUD FOR PTB35/50 BLU	21.40	1	EA	20	B
PSPTB35/50Y	PROTECTIVE SHROUD FOR PTB35/50 YLW	21.40	1	EA	20	B
PSPTB70/95	PROTECTIVE SHROUD FR PTB70/95	29.90	1	EA	20	B
PTB120/150	150 mm ² FT BARRIER TYPE BOLT TB	545.80	1	EA	5	B
PTB120/150SH	150 mm ² FT BARRIER TYPE SHROUDED BOLT TB	588.20	1	EA	10	B
PTB120/150SHBK	150 mm ² FT BARRIER TYPE SHRD BOLT BLK	647.00	1	EA	5	B
PTB120/150SHGN	150 mm ² FT BARRIER TYPE SHRD BOLT TB GRN	676.40	1	EA	5	B
PTB120/150SHR	150 mm ² FT BARRIER TYPE SHRD BOLT RED	647.00	1	EA	5	B
PTB185/240	240 mm ² FEED THRU BARRIER TYPE BOLT TB	867.10	1	EA	2	B
PTB185/240SH	240 mm ² FT BARRIER TYPE SHROUDED BOLT TB	955.50	1	EA	2	B
PTB300	300 mm ² FEED THRU BARRIER TYPE BOLT TB	1160.70	1	EA	2	B
PTB300SH	300 mm ² FT BARRIER TYPE SHROUDED BOLT TB	1207.90	1	EA	2	B
PTB35/50	50 mm ² FEED THRU BARRIER TYPE BOLT TB	214.20	1	EA	10	B
PTB35/50/M	50 mm ² FEED THRU BARRIER TYPE BOLT TB	219.30	1	EA	10	B
PTB35/50BK	50 mm ² FEED THRU BARRIER TYP BOLT TB BLK	235.60	1	EA	10	B
PTB35/50BU	50 mm ² FEED THRU BARRIER TYP BOLT TB BLU	235.60	1	EA	10	B
PTB35/50GN	50 mm ² FEED THRU BARRIER TYP BOLT TB GRN	235.60	1	EA	10	B
PTB35/50R	50 mm ² FEED THRU BARRIER TYP BOLT TB RED	235.60	1	EA	10	B
PTB35/50SH	50 mm ² FT BARRIER TYPE SHROUDED BOLT TB	242.00	1	EA	10	B
PTB35/50SHBK	50 mm ² BARRIER TYPE SHROUD BOLT TB BLK	266.20	1	EA	10	B
PTB35/50SHBU	50 mm ² BARRIER TYPE SHROUD BOLT TB BLU	266.20	1	EA	10	B
PTB35/50SHGN	50 mm ² BARRIER TYPE SHROUD BOLT TB GREEN	266.20	1	EA	10	B
PTB35/50SHR	50 mm ² BARRIER TYPE SHROUD BOLT TB RED	266.20	1	EA	10	B
PTB35/50SHY	50 mm ² BARRIER TYPE SHROUD BOLT TB YLW	266.20	1	EA	10	B
PTB35/50Y	50 mm ² FEED THRU BARRIER TYP BOLT TB YLW	235.60	1	EA	10	B
PTB70/95	95 mm ² FEED THRU BARRIER TYPE BOLT TB	309.80	1	EA	10	B
PTB70/95BK	95 mm ² FEED THRU BARRIER TYP BOLT TB BLK	340.80	1	EA	10	B
PTB70/95BU	95 mm ² FEED THRU BARRIER TYP BOLT TB BLU	340.80	1	EA	10	B
PTB70/95GN	95 mm ² FEED THRU BARRIER TYP BOLT TB GRN	365.40	1	EA	10	B
PTB70/95R	95 mm ² FEED THRU BARRIER TYP BOLT TB RED	340.80	1	EA	10	B
PTB70/95SH	95 mm ² FT BARRIER TYPE SHROUDED BOLT TB	372.80	1	EA	10	B
PTB70/95SHBK	95 mm ² BARRIER TYPE SHROUD BOLT TB BLK	410.10	1	EA	10	B
PTB70/95SHBU	95 mm ² BARRIER TYPE SHROUD BOLT TB BLU	410.10	1	EA	10	B
PTB70/95SHR	95 mm ² BARRIER TYPE SHROUD BOLT TB RED	410.10	1	EA	10	B
PTB70/95SHY	95 mm ² BARRIER TYPE SHROUD BOLT TB YLW	410.10	1	EA	10	B
PTB70/95Y	95 mm ² FEED THRU BARRIER TYP BOLT TB YLW	340.80	1	EA	10	B
QJ11/2	2P BANANA PLUG FOR STH4DT	121.90	1	EA	25	B
QJ11/3	3P BANANA PLUG FOR STH4DT	203.40	1	EA	25	B
QJ11/4	4P BANANA PLUG FOR STH4DT / STH4DTSH	243.50	1	EA	25	B

Part #	Description	List Price in ₹	Per	UOM	Std. Pack	Group
QJ8/2	2P BANANA PLUG FOR CDS6U/CDTTU SERIES	116.50	1	EA	25	B
SB5X202A	FUSE SB - 2.00 AMP (5X20)MM	14.30	1	EA	50	A
SB5X204A	FUSE SB - 4.00 AMP (5X20)MM	14.30	1	EA	50	A
SB5X205A	FUSE SB - 5.00 AMP (5X20)MM	14.30	1	EA	50	A
SCA 2.5	ACTUATOR FOR 5mm WIDE SPRING CLAMP TB	42.90	1	EA	10	A
SCM0.4/2.5	0.4X2.5mm SCREWDRIVER FOR SPRING CLAMP	334.00	1	EA	10	A
SCM0.5/3	0.5X3mm SCREWDRIVER FOR SPRING CLAMP	352.80	1	EA	10	A
SCM0.8/4	0.8X4mm SCREWDRIVER FOR SPRING CLAMP	415.30	1	EA	10	A
SCM1/5.5	1X5.5mm SCREWDRIVER FOR SPRING CLAMP	521.30	1	EA	10	A
SCNT6	SIZE 6 NUT DRIVER	702.40	1	EA	10	A
SCPH2	PHILLIPS NO.2 SCREW DRIVER	483.90	1	EA	10	A
SCPH2I	PHILLIPS NO.2 INSULATED SCREW DRIVER	530.60	1	EA	10	A
SCS0.5/3	0.5X3mm SCREW DRIVER FOR SLOTTED SCREWS	280.90	1	EA	10	A
SCS0.5/3I	0.5X3mm INSU SCREW DRIVR FR SLTTD SCREW	390.20	1	EA	10	A
SCS0.6/3.5	0.6X3.5mm SCREW DRIVER FR SLTTED SCREWS	312.20	1	EA	10	A
SCS0.6/3.5I	0.6X3.5mm INSU SCREW DRVR FR SLTTD SCREW	390.20	1	EA	10	A
SCS0.8/4	0.8X4mm SCREW DRIVER FOR SLOTTED SCREWS	390.20	1	EA	10	A
SCS0.8/4I	0.8X4mm INSU SCREW DRIVER FR SLTTD SCREW	429.20	1	EA	10	A
SCS1/5.5	1X5.5mm SCREW DRIVER FOR SLOTTED SCREWS	499.40	1	EA	10	A
SCS1/5.5I	1X5.5mm INSU SCREW DRIVER FR SLTTD SCREW	530.60	1	EA	10	A
SCSLS	INSU SCREW FR SHRT LNK CDS6U	11.50	1	EA	50	A
SLS2	2POLE CT SHORTING LINK FOR CDS6U SERIES	31.50	1	EA	50	B
SLS3	3POLE CT SHORTING LINK FOR CDS6U SERIES	47.20	1	EA	25	B
SLS4	4POLE CT SHORTING LINK FOR CDS6U SERIES	62.90	1	EA	25	B
SP2.5/4UN	SEPARATOR PLATE FOR CTS2.5UN/4UN	4.70	1	EA	100	B
SP6/10U	SEPARATOR PLATE FOR CTS6U/10U/16U	4.70	1	EA	100	B
SPCDL4U	SEP PLT FR CDL4U GRV	4.80	1	EA	100	B
SPCDLG2.5	SEPARATOR PLATE FOR CDLG2.5	12.10	1	EA	100	B
SPCMB4	SEPARATOR PLATE FOR CMB4	5.30	1	EA	50	B
SPCP4L16	SEPARATOR PLATE FOR CP4L16	30.00	1	EA	10	A
SPCP8L32	SEPARATOR PLATE FOR CP8L32	61.50	1	EA	10	A
STH3	6 mm ² M3 CAPTIVE NUT STUD TYPE TERMINAL	42.90	1	EA	100	B
STH3BK	6 mm ² M3 CAPTIV NUT STUD TYPE TB BLK	47.20	1	EA	100	B
STH3BU	6 mm ² M3 CAPTIV NUT STUD TYP TB BLU	47.20	1	EA	100	B
STH3GN	6 mm ² M3 CAPTIV NUT STD TYPE TB GRN	47.20	1	EA	100	B
STH3R	6 mm ² M3 CAPTIV NUT STUD TYPE TB RED	47.20	1	EA	100	B
STH3Y	6 mm ² M3 CAPTIV NUT STD TYPE TB YLW	47.20	1	EA	100	B
STH4	6 mm ² M4 CAPTIVE NUT STUD TYPE TERMINAL	51.90	1	EA	50	B
STH4BK	6 mm ² M4 CAPTIVE NUT STUD TYPE TB BLACK	57.10	1	EA	50	B
STH4BU	6 mm ² M4 CAPTIVE NUT STUD TYPE TB BLUE	57.10	1	EA	50	B
STH4DT	6 mm ² DISCONNECT CAPTIVE NUT STUD TYP TB	84.00	1	EA	50	B
STH4DTBK	6 mm ² DISCON CAPTIVE NUT STUD TYP TB BLK	92.40	1	EA	50	B
STH4DTBU	6 mm ² DISCON CAPTIVE NUT STUD TYP TB BLU	92.40	1	EA	50	B
STH4DTFT	6 mm ² M4 FD THRU CAPTIVE NUT STUD TYPE TB	76.20	1	EA	50	B
STH4DTFTBU	6SQ FD THRU (HINGE)TB BLU WTH STH4DT PRO	83.80	1	EA	50	B
STH4DTGN	6 mm ² DISCON CAPTIVE NUT STUD TYP TB GRN	92.40	1	EA	50	B
STH4DTR	6 mm ² DISCON CAPTIVE NUT STUD TYP TB RED	92.40	1	EA	50	B
STH4DTSH	6 mm ² DISCON CAPTIVE NUT INT SHRTD TB	171.00	1	EA	24	B
STH4DTTP	6 mm ² DISCON TEST SOCKET NUT STUD TYP TB	93.50	1	EA	50	B
STH4DTY	6 mm ² DISCON CAPTIVE NUT STUD TYP TB YLW	92.40	1	EA	50	B
STH4GN	6 mm ² M4 CAPTIVE NUT STUD TYPE TB GREEN	57.10	1	EA	50	B

Part #	Description	List Price in ₹	Per	UOM	Std. Pack	Group
STH4R	6 mm ² M4 CAPTIVE NUT STUD TYPE TB RED	57.10	1	EA	50	B
STH4TP	HINGE TYPE PA STUD TB GRY WTH TP	59.80	1	EA	50	B
STH4Y	6 mm ² M4 CAPTIVE NUT STUD TYPE TB YELLOW	57.10	1	EA	50	B
STH6	35 mm ² M6 CAPTIVE NUT STUD TYPE TB	123.20	1	EA	50	B
STH6BK	35 mm ² M6 CAPTIV NUT STUD TYP TB BLK	135.50	1	EA	50	B
STH6BU	35 mm ² M6 CAPTIV NUT STUD TYP TB BLU	135.50	1	EA	50	B
STH6GN	35 mm ² M6 CAPTIV NUT STUD TYP TB GRN	135.50	1	EA	50	B
STH6R	35 mm ² M6 CAPTIV NUT STUD TYP TB RED	135.50	1	EA	50	B
STH6Y	35 mm ² M6 CAPTIV NUT STUD TYP TB YLW	135.50	1	EA	50	B
SWCBDT	SWITCHABLE LINK ASSEMBLY FOR CBDT4U	34.10	1	EA	50	B
SWCDS	SWITCHABLE LINK ASSEMBLY FOR CDS6U	29.00	1	EA	50	B
SWL16	WARNING LABEL FR SPRING CL 12mm WIDE TB	812.90	1	PKT	1	A
SWL4	WARNING LABEL FR SCREW CLMP 6mm WIDE TB	812.90	1	PKT	1	B
SWL6	WARNING LABEL FR SCREW CLMP 8mm WIDE TB	812.90	1	PKT	1	B
TM3.5	TREE MARKER FOR MOUNTING ON CPDL1.5	11.40	1	EA	50	A
TM5	TREE MARKER FOR MOUNTING ON CXDL2.5	14.30	1	EA	50	A
TPSLS	INSULATED TEST SOCKT FR CDS6U SERIES	21.50	1	EA	50	B
TPSLSBK	INSULATED TEST SOCKT FR CDS6U SERIES BLK	24.30	1	EA	50	B
TPSLSBU	INSULATED TEST SOCKT FR CDS6U SERIES BLU	24.30	1	EA	50	B
TPSLSGN	INSULATED TEST SOCKT FR CDS6U SERIES GRN	24.30	1	EA	50	B
TPSLSR	INSULATED TEST SOCKT FR CDS6U SERIES RED	24.30	1	EA	50	B
TPSLSY	INSULATED TEST SOCKT FR CDS6U SERIES YLW	24.30	1	EA	50	B
TX2.5	2.5mm ² TEST PLUG FOR CX2.5	57.20	1	EA	20	A
WLX10	PA FINGRSafe COVR FITS CX10	658.10	1	PKT	1	A
WLX2.5	PA FINGRSafe COVR FITS CSC2.5T/CX2.5	520.30	1	PKT	1	A
WLX2.5/V	WARNING LABEL FR SPRING CL 5mm WD TB	585.30	1	PKT	1	A
WLX4	PA FINGRSafe COVR FITS CX4	650.40	1	PKT	1	A

ELECTRONICS

Part #	Description	List Price in ₹	Per	UOM	Std. Pack	Group
ADID24V	ADID ADAPTOR	1,882.00	1	EA	1	D
ADIF24V	ADIF ADAPTOR	1,882.00	1	EA	1	D
ADOD24V	ADOD ADAPTOR	1,882.00	1	EA	1	D
ADOF24V	ADOF ADAPTOR	1,882.00	1	EA	1	D
CDR10	24V, 10A REDUNDANT MODULE	2,270.00	1	EA	1	E
CDR20	24V, 20A REDUNDANT MODULE	3,400.00	1	EA	1	E
CDR40	24V, 40A REDUNDANT MODULE	5,880.00	1	EA	1	E
CFTD4	FAN MONITOR 4 FAN STANDARD + TEMP	7,370.00	1	EA	1	E
CFTDPR4	FAN MONITOR 4 FAN REDUNDANT + TEMP	8,185.00	1	EA	1	E
CIMRE1S4/24/OM	1CO 4CH CW RLY MOD 24DC OM RAIL MT	936.00	1	EA	1	E
CIMRE1S8/24/OM	1CO 8CH CW RLY MOD 24DC OM RAIL MT	1,769.00	1	EA	1	E
CIMRE1SS2/110A/OM	1CO 2CH CW RLY MOD 110AC BASE OM RAIL MT	1,004.00	1	EA	1	E
CIMRE1SS2/12/OM	1CO 2CH CW RLY MOD 12DC BASE OM RAIL MT	793.00	1	EA	1	E
CIMRE1SS2/230A/OM	1CO 2CH CW RLY MOD 230AC BASE OM RAIL MT	1,224.00	1	EA	1	E
CIMRE1SS2/24/OM	1CO 2CH CW RLY MOD 24DC BASE OM RAIL MT	552.00	1	EA	1	E
CIMRE1SS2/24A/OM	1CO 2CH CW RLY MOD 24AC BASE OM RAIL MT	1,082.00	1	EA	1	E
CIMRE1SS4/110A/OM	1CO 4CH CW RLY MOD 110AC BASE OM RAIL MT	1,932.00	1	EA	1	E
CIMRE1SS4/12/OM	1CO 4CH CW RLY MOD 12DC BASE OM RAIL MT	1,442.00	1	EA	1	E

Part #	Description	List Price in ₹	Per	UOM	Std. Pack	Group
CIMRE1SS4/230A/OM	1CO 4CH CW RLY MOD 230AC BASE OM RAIL MT	2,228.00	1	EA	1	E
CIMRE1SS4/24/OM	1CO 4CH CW RLY MOD 24DC BASE OM RAIL MT	958.00	1	EA	1	E
CIMRE1SS4/24A/OM	1CO 4CH CW RLY MOD 24AC BASE OM RAIL MT	2,235.00	1	EA	1	E
CIMRE1SS8/110A/OM	1CO 8CH CW RLY MOD 110AC BASE OM RAIL MT	3,822.00	1	EA	1	E
CIMRE1SS8/12/OM	1CO 8CH CW RLY MOD 12DC BASE OM RAIL MT	2,711.00	1	EA	1	E
CIMRE1SS8/230A/OM	1CO 8CH CW RLY MOD 230AC BASE OM RAIL MT	4,169.00	1	EA	1	E
CIMRE1SS8/24/OM	1CO 8CH CW RLY MOD 24DC BASE OM RAIL MT	1,803.00	1	EA	1	E
CIMRE1SS8/24A/OM	1CO 8CH CW RLY MOD 24AC BASE OM RAIL MT	3,527.00	1	EA	1	E
CIMRE2S8/24/OM	2CO 8CH CW RLY MOD 24DC OM RAIL MT	2,446.00	1	EA	1	E
CIMRE2SS2/110A/OM	2CO 2CH CW RLY MOD 110AC BASE OM RAIL MT	1,177.00	1	EA	1	E
CIMRE2SS2/12/OM	2CO 2CH CW RLY MOD 12DC BASE OM RAIL MT	997.00	1	EA	1	E
CIMRE2SS2/230A/OM	2CO 2CH CW RLY MOD 230AC BASE OM RAIL MT	1,202.00	1	EA	1	E
CIMRE2SS2/24/OM	2CO 2CH CW RLY MOD 24DC BASE OM RAIL MT	768.00	1	EA	1	E
CIMRE2SS2/24A/OM	2CO 2CH CW RLY MOD 24AC BASE OM RAIL MT	1,196.00	1	EA	1	E
CIMRE2SS4/110A/OM	2CO 4CH CW RLY MOD 110AC BASE OM RAIL MT	2,250.00	1	EA	1	E
CIMRE2SS4/12/OM	2CO 4CH CW RLY MOD 12DC BASE OM RAIL MT	1,844.00	1	EA	1	E
CIMRE2SS4/230A/OM	2CO 4CH CW RLY MOD 230AC BASE OM RAIL MT	2,284.00	1	EA	1	E
CIMRE2SS4/24/OM	2CO 4CH CW RLY MOD 24DC BASE OM RAIL MT	1,312.00	1	EA	1	E
CIMRE2SS4/24A/OM	2CO 4CH CW RLY MOD 24AC BASE OM RAIL MT	2,229.00	1	EA	1	E
CIMRE2SS8/110A/OM	2CO 8CH CW RLY MOD 110AC BASE OM RAIL MT	4,038.00	1	EA	1	E
CIMRE2SS8/12/OM	2CO 8CH CW RLY MOD 12DC BASE OM RAIL MT	3,375.00	1	EA	1	E
CIMRE2SS8/230A/OM	2CO 8CH CW RLY MOD 230AC BASE OM RAIL MT	4,356.00	1	EA	1	E
CIMRE2SS8/24/OM	2CO 8CH CW RLY MOD 24DC BASE OM RAIL MT	2,480.00	1	EA	1	E
CIMRE2SS8/24A/OM	2CO 8CH CW RLY MOD 24AC BASE OM RAIL MT	4,188.00	1	EA	1	E
CSER1-120U380A2XC	SLIM RELY MOD SSR 1NO 120VAC/DC SP CL	1,004.00	1	EA	10	E
CSER1-120U380A2YC	SLIM RELY MOD SSR 1NO 120VAC/DC SW CL	1,004.00	1	EA	10	E
CSER1-120U48D100XC	SLIM RELY MOD SSR 1NO 120VAC/DC SP CL	889.00	1	EA	10	E
CSER1-120U48D100YC	SLIM RELY MOD SSR 1NO 120VAC/DC SW CL	889.00	1	EA	10	E
CSER1-120U48D4XC	SLIM RELY MOD SSR 1NO 120VAC/DC SP CL	1,376.00	1	EA	10	E
CSER1-120U48D4YC	SLIM RELY MOD SSR 1NO 120VAC/DC SW CL	1,376.00	1	EA	10	E
CSER1-230A380A2XC	SLIM RELY MOD SSR 1NO 230VAC SP CL	1,040.00	1	EA	10	E
CSER1-230A380A2YC	SLIM RELY MOD SSR 1NO 230VAC SW CL	1,040.00	1	EA	10	E
CSER1-230A48D100XC	SLIM RELY MOD SSR 1NO 230VAC SP CL	1,004.00	1	EA	10	E
CSER1-230A48D100YC	SLIM RELY MOD SSR 1NO 230VAC SW CL	1,004.00	1	EA	10	E
CSER1-230A48D4XC	SLIM RELY MOD SSR 1NO 230VAC SP CL	1,451.00	1	EA	10	E
CSER1-230A48D4YC	SLIM RELY MOD SSR 1NO 230VAC SW CL	1,451.00	1	EA	10	E
CSER1-24D240A2XD	SLIM RELY MOD SSR 1NO 24VDC SP CL	1,004.00	1	EA	10	E
CSER1-24D240A2YD	SLIM RELY MOD SSR 1NO 24VDC SW CL	1,004.00	1	EA	10	E
CSER1-24D380A2XC	SLIM RELY MOD SSR 1NO 24VDC SP CL	1,004.00	1	EA	10	E
CSER1-24D380A2YC	SLIM RELY MOD SSR 1NO 24VDC SW CL	1,004.00	1	EA	10	E
CSER1-24D48D100XC	SLIM RELY MOD SSR 1NO 24VDC SP CL	861.00	1	EA	10	E
CSER1-24D48D100XD	SLIM RELY MOD SSR 1NO 24VDC SP CL	861.00	1	EA	10	E
CSER1-24D48D100YC	SLIM RELY MOD SSR 1NO 24VDC SW CL	861.00	1	EA	10	E
CSER1-24D48D4XC	SLIM RELY MOD SSR 1NO 24VDC SP CL	1,339.00	1	EA	10	E
CSER1-24D48D4XD	SLIM RELY MOD SSR 1NO 24VDC SP CL	1,291.00	1	EA	10	E
CSER1-24D48D4YC	SLIM RELY MOD SSR 1NO 24VDC SW CL	1,339.00	1	EA	10	E
CSER1-24D48D4YD	SLIM RELY MOD SSR 1NO 24VDC SW CL	1,291.00	1	EA	10	E
CSER1-24U380A2XC	SLIM RELY MOD SSR 1NO 24VAC/DC SP CL	1,004.00	1	EA	10	E
CSER1-24U380A2YC	SLIM RELY MOD SSR 1NO 24VAC/DC SW CL	1,004.00	1	EA	10	E
CSER1-24U48D100XC	SLIM RELY MOD SSR 1NO 24VAC/DC SP CL	889.00	1	EA	10	E
CSER1-24U48D100YC	SLIM RELY MOD SSR 1NO 24VAC/DC SW CL	889.00	1	EA	10	E

Part #	Description	List Price in ₹	Per	UOM	Std. Pack	Group
CSER1-24U48D100YD	SLIM RELY MOD SSR 1NO 24VAC/DC SW CL	889.00	1	EA	10	E
CSER1-24U48D4XC	SLIM RELY MOD SSR 1NO 24VAC/DC SP CL	1,376.00	1	EA	10	E
CSER1-24U48D4YC	SLIM RELY MOD SSR 1NO 24VAC/DC SW CL	1,376.00	1	EA	10	E
CSER1-24U48D4YD	SLIM RELY MOD SSR 1NO 24VAC/DC SW CL	1,327.00	1	EA	10	E
CSER1-4860U380A2XC	SLIM RELY MOD SSR 1NO 48-60VAC/DC SP CL	1,004.00	1	EA	10	E
CSER1-4860U380A2YC	SLIM RELY MOD SSR 1NO 48-60VAC/DC SW CL	1,004.00	1	EA	10	E
CSER14860U48D100XC	SLIM RELY MOD SSR 1NO 48-60VAC/DC SP CL	889.00	1	EA	10	E
CSER14860U48D100YC	SLIM RELY MOD SSR 1NO 48-60VAC/DC SW CL	889.00	1	EA	10	E
CSER1-4860U48D4XC	SLIM RELY MOD SSR 1NO 48-60VAC/DC SP CL	1,376.00	1	EA	10	E
CSER1-4860U48D4YC	SLIM RELY MOD SSR 1NO 48-60VAC/DC SW CL	1,376.00	1	EA	10	E
CSR1S-120UXA	SLIM RELY MOD EMR 1CO 120VAC/DC SP CL	495.00	1	EA	10	E
CSR1S-120UXB	SLIM RELY MOD CW EMR 1CO 120VAC/DC SP CL	474.00	1	EA	10	E
CSR1S-120UYA	SLIM RELY MOD EMR 1CO 120VAC/DC SW CL	495.00	1	EA	10	E
CSR1S-120UYA-SN	SLIM RELY MOD EMR 1CO 120VUC-SN SC CL	788.00	1	EA	10	E
CSR1S-120UYB	SLIM RELY MOD CW EMR 1CO 120VAC/DC SW CL	474.00	1	EA	10	E
CSR1S-12UXA	SLIM RELY MOD EMR 1CO 12VAC/DC SP CL	474.00	1	EA	10	E
CSR1S-12UYA	SLIM RELY MOD EMR 1CO 12VAC/DC SW CL	474.00	1	EA	10	E
CSR1S-230AXA	SLIM RELY MOD EMR 1CO 230VAC SP CL	600.00	1	EA	10	E
CSR1S-230AXB	SLIM RELY MOD CW EMR 1CO 230VAC SP CL	574.00	1	EA	10	E
CSR1S-230AYA	SLIM RELY MOD EMR 1CO 230VAC SW CL	600.00	1	EA	10	E
CSR1S-230AYB	SLIM RELY MOD CW EMR 1CO 230VAC SW CL	574.00	1	EA	10	E
CSR1S-230UXA	SLIM RELY MOD EMR 1CO 230VAC/DC SP CL	663.00	1	EA	10	E
CSR1S-230UXA-SN	SLIM RELY MOD EMR 1CO 230VUC-SN SP CL	840.00	1	EA	10	E
CSR1S-230UXB	SLIM RELY MOD CW EMR 1CO 230VAC/DC S	611.00	1	EA	10	E
CSR1S-230UYA	SLIM RELY MOD EMR 1CO 230VAC/DC SW CL	651.00	1	EA	10	E
CSR1S-230UYA-SN	SLIM RELY MOD EMR 1CO 230VUC-SN SC CL	840.00	1	EA	10	E
CSR1S-230UYB	SLIM RELY MOD CW EMR 1CO 230VAC/DC S	611.00	1	EA	10	E
CSR1S-24DXA	SLIM RELY MOD EMR 1CO 24VDC SP CL	413.00	1	EA	10	E
CSR1S-24DXB	SLIM RELY MOD CW EMR 1CO 24VDC SP CL	395.00	1	EA	10	E
CSR1S-24DYA	SLIM RELY MOD EMR 1CO 24VDC SW CL	413.00	1	EA	10	E
CSR1S-24DYB	SLIM RELY MOD CW EMR 1CO 24VDC SW CL	395.00	1	EA	10	E
CSR1S-24UXA	SLIM RELY MOD EMR 1CO 24VAC/DC SP CL	495.00	1	EA	10	E
CSR1S-24UXB	SLIM RELY MOD CW EMR 1CO 24VAC/DC SP CL	474.00	1	EA	10	E
CSR1S-24UYA	SLIM RELY MOD EMR 1CO 24VAC/DC SW CL	495.00	1	EA	10	E
CSR1S-24UYB	SLIM RELY MOD CW EMR 1CO 24VAC/DC SW CL	474.00	1	EA	10	E
CSR1S-48-60UXA	SLIM RELY MOD EMR 1CO 48-60VAC/DC SP CL	495.00	1	EA	10	E
CSR1S-48-60UXB	SLIM RELY MOD CW EMR 1CO 48-60VAC/DC SP CL	474.00	1	EA	10	E
CSR1S-48-60UYA	SLIM RELY MOD EMR 1CO 48-60VAC/DC SW CL	495.00	1	EA	10	E
CSR1S-48-60UYB	SLIM RELY MOD CW EMR 1CO 48-60VAC/DC SW CL	474.00	1	EA	10	E
CSR1S-5DXA	SLIM RELY MOD EMR 1CO 5VDC SP CL	474.00	1	EA	10	E
CSR1S-5DYA	SLIM RELY MOD EMR 1CO 5VDC SW CL	474.00	1	EA	10	E
CSR2S-120UYA	SLIM RLY MOD HF EMR 2CO 120VUC SC CL	1,005.00	1	EA	10	E
CSR2S-230UYA	SLIM RLY MOD HF EMR 2CO 230VUC SC CL	1,015.00	1	EA	10	E
CSR2S-230UYA-SN	SLIM RLY MOD HF EMR 2CO 230VUC-SN SC	1,155.00	1	EA	10	E
CSR2S-24UYA	SLIM RLY MOD HF EMR 2CO 24VUC SC CL	788.00	1	EA	10	E
CSR2S-24UYC	SLIM RLY MOD OM EMR 2CO 24VUC SC CL	788.00	1	EA	10	E
CSS120/24/5	SMPS CW 1PH 120W 24VDC 5A	3,890.00	1	EA	1	E
CSS240/24/10	SMPS 1PH 240W 24VDC 10A RL MNTG	7,140.00	1	EA	1	E
CSS480/24/20	SMPS 1PH 480W 24VDC 20A RL MNTG	13,230.00	1	EA	1	E
CSS50/24/2.1	SMPS CW 1PH 50W 24VDC 2.1A	1,610.00	1	EA	1	E
CSS60/24/2.5	SMPS CW 1PH 60W 24VDC 2.5A	1,640.00	1	EA	1	E

Part #	Description	List Price in ₹	Per	UOM	Std. Pack	Group
CSSE72/24/3	SMPS CW 1PH 72W 24VDC 3A	1,310.00	1	EA	1	E
ESMT108G	RAIL MNTG END PLT 108MM MNTG TRACK GRY	9.00	1	EA	50	D
ESMT108GN	RAIL MNTG END PLATE 108MM MNTG TRACK GRN	9.00	1	EA	50	D
ESMT73G	RAIL MNTG END PLATE 73 MM MNTG GRY	8.00	1	EA	50	D
ESMT73G1	RAIL MNTG END PLT73MM MT TRACK GRY (NEW)	8.00	1	EA	50	D
ESMT73GN	RAIL MNTG END PLATE 73 MM MNTG TRACK GRN	8.00	1	EA	50	D
ESPMT108G	PNL MNTG END PLATE 108 MM MTG TRACK GREY	11.40	1	EA	50	D
ESPMT108GN	PNL MNTG END PLATE 108 MM MNTG TRACK GRN	11.40	1	EA	50	D
ESPMT73G	PNL MNTG END PLT 73MM MNTG TRACK GRY	9.00	1	EA	50	D
ESPMT73GN	PNL MNTG END PLATE 73 MM MNTG TRACK GRN	9.00	1	EA	50	D
IMACC/CIMRE/EXT	2CORE 0.1M CIMRE EXTN CABLE JST WHITE	53.00	1	EA	10	E
IMACC/ER05D125D2	SSR 5DC IN& DC OUT 2A	625.00	1	EA	40	E
IMACC/ER12D125D2	SSR 12DC IN& DC OUT 2A	552.00	1	EA	50	E
IMACC/ER24D125D2	SSR 24DC IN& DC OUT 2A	544.00	1	EA	50	E
IMACC/G2R1/230AC	RELAY OMRON G2R 1CO 230AC	607.00	1	EA	1	E
IMACC/G2RL1/24DC	RELAY OMRON G2RL-1 1CO 24DC	192.00	1	EA	1	E
IMACC/G2RL2/24DC	RELAY OMRON G2RL 2CO 24DC (IMACC/G2RL2/24DC)	252.00	1	EA	1	E
IMACC/SER/24D48D4	IM ACC SSR 24DC IN & DC OUT 4A	1,177.00	1	EA	50	E
IMACC/SR1S/12	IM ACC SLIM RELAY 1CO 12VDC	259.00	1	EA	50	E
IMACC/SR1S/24	IM ACC SLIM RELAY 1CO 24VDC	229.00	1	EA	50	E
IMACC/SR1S/60	IM ACC SLIM RELAY 1CO 60VDC	427.00	1	EA	50	E
IMCC/10	10CH COMP CARRIER MOD RAIL MNT (IMCC/10)	460.00	1	EA	1	D
IMCC/12	12CH COMP CARRIER MOD RAIL MNT	552.00	1	EA	1	D
IMCC/16	16CH COMP CARRIER MOD RAIL MNT	720.00	1	EA	1	D
IMCC/20	20CH COMP CARRIER MOD RAIL MNT (IMCC/20)	860.00	1	EA	1	D
IMCC/24	24CH COMP CARRIER MOD RAIL MNT	1,030.00	1	EA	1	D
IMCC/4	4CH COMP CARRIER MOD RAIL MNT	230.00	1	EA	1	D
IMCC/8	8CH COMP CARRIER MOD RAIL MNT	400.00	1	EA	1	D
IMCUS/DO16/24/DM37	CUST MOD 2CO 24DC RLY DO16 DM37 WDC RLMT	7,600.00	1	EA	1	D
IMD/CA/14	14CH DIODE MOD CMN ANODE RAIL MNT	490.00	1	EA	1	D
IMD/CA/16	16CH DIODE MOD CMN ANODE RAIL MNT	475.00	1	EA	1	D
IMD/CA/22	22CH DIODE MOD CMN ANODE RAIL MNT	705.00	1	EA	1	D
IMD/CA/6	6CH DIODE MOD CMN ANODE RAIL MNT	260.00	1	EA	1	D
IMD/CK/22	22CH DIODE MOD CMN CATH RAIL MNT	705.00	1	EA	1	D
IMD/S/10	10CH DIODE MOD SNGL DIODE RAIL MNT	613.00	1	EA	1	D
IMD/S/12	12CH DIODE MOD SNGL DIODE RAIL MNT	630.00	1	EA	1	D
IMD/S/16	16CH DIODE MOD SNGL DIODE RAIL MNT	812.00	1	EA	1	D
IMD/S/20	20CH DIODE MOD SNGL DIODE RAIL MNT	1,011.00	1	EA	1	D
IMD/S/24	24CH DIODE MOD SNGL DIODE RAIL MNT	1,201.00	1	EA	1	D
IMD/S/4	4CH DIODE MOD SNGL DIODE RAIL MNT	260.00	1	EA	1	D
IMD/S/8	8CH DIODE MOD SNGL DIODE RAIL MNT	460.00	1	EA	1	D
IMDB1/11-H	DISTRIBUTION MOD 1 IN 11 OUTx2 HORIZ (IMDB1/11-H)	630.00	1	EA	1	D
IMDB1/15-H	DISTRIBUTION MOD 1 IN 15 OUTx2 HORIZ (IMDB1/15-H)	774.00	1	EA	1	D
IMDB1/19-H	DISTRIBUTION MOD 1 IN 19 OUTx2 HORIZ (IMDB1/19-H)	950.00	1	EA	1	D
IMDB1/31-H	DISTRIBUTION MOD 1 IN 31 OUTx2 HORIZ (IMDB1/31-H)	1,420.00	1	EA	1	D
IMDB1/5-H	DISTRIBUTION MOD 1 IN 5 OUTx2 HORIZ (IMDB1/5-H)	421.00	1	EA	1	D
IMDB2/12	DISTRIBUTION MOD 2 IN 12 OUT	620.00	1	EA	1	D
IMDB2/6	DISTRIBUTION MOD 2 IN 6 OUT	366.00	1	EA	1	D
IMDLT/AC/10	10CH AC LAMP TST MOD RAIL MNT	906.00	1	EA	1	D
IMDLT/AC/22	22CH AC LAMP TST MOD RAIL MNT	1,150.00	1	EA	1	D
IMDLT/AC/5	5CH AC LAMP TST MOD RAIL MNT	490.00	1	EA	1	D

Part #	Description	List Price in ₹	Per	UOM	Std. Pack	Group
IMDLT/DC/CA/10	10CH DCLAMP TSTMOD CMNANODE RAILMNT	873.00	1	EA	1	D
IMDLT/DC/CA/12	12CH DC LAMP TST MOD CMN ANODE RAIL MNT	935.00	1	EA	1	D
IMDLT/DC/CA/16	16CH DC LAMP TST MOD CMN ANODE RAIL MNT	1,440.00	1	EA	1	D
IMDLT/DC/CA/24	24CH DC LAMP TST CMN ANODE RAIL MT (IMDLT/DC/CA/24)	1,870.00	1	EA	1	D
IMDLT/DC/CA/5	5CH DCLAMP TSTMOD CMNANODE RAILMNT	552.00	1	EA	1	D
IMDLT/DC/CK/12	12CH DC LAMP TST MOD CMN CATH RAIL MNT	935.00	1	EA	1	D
IMDLT/DC/S/10	10CH DC LAMP TST MOD RAIL MNT	873.00	1	EA	1	D
IMDLT/DC/S/5	5CH DC LAMP TST MOD RAIL MNT	490.00	1	EA	1	D
IMDLT/DC/S/6	6CH DC LAMP TST MOD RAIL MNT (IMDLT/DC/S/6)	613.00	1	EA	1	D
IMDSUBF/15/H	15PIN F-DSUB MOD WTH HOLE RAIL MNT	521.00	1	EA	1	D
IMDSUBF/15/S	15PIN F-DSUB MOD RAIL MNT	400.00	1	EA	1	D
IMDSUBF/15/SC	15PIN F-DSUB MOD SPRING CAGE TB RAIL MNT (IMDSUBF/15/SC)	556.00	1	EA	1	D
IMDSUBF/25/H	25PIN F-DSUB MOD WTH HOLE RAIL MNT	736.00	1	EA	1	D
IMDSUBF/25/S	25PIN F-DSUB MOD RAIL MNT	613.00	1	EA	1	D
IMDSUBF/37/H	37PIN F-DSUB MOD WTH HOLE RAIL MNT	1,042.00	1	EA	1	D
IMDSUBF/37/L1	37PIN F-DSUB MOD LED INDIC. RAIL MNT	1,320.00	1	EA	1	D
IMDSUBF/37/S	37PIN F-DSUB MOD RAIL MNT	873.00	1	EA	1	D
IMDSUBF/37/SC	37PIN F-DSUB SPRING CAGE RAIL MT	1,233.00	1	EA	1	D
IMDSUBF/50/S	50PIN F-DSUB MOD RAIL MNT	1,060.00	1	EA	1	D
IMDSUBF/50/SC	50PIN F-DSUB SPRING CAGE RAIL MT (IMDSUBF/50/SC)	1,764.00	1	EA	1	D
IMDSUBF/9/H	9PIN F-DSUB MOD WTH HOLE RAIL MNT	352.00	1	EA	1	D
IMDSUBM/15/H	15PIN M-DSUB MOD WTH HOLE RAIL MNT	490.00	1	EA	1	D
IMDSUBM/15/S	15PIN M-DSUB MOD RAIL MNT	400.00	1	EA	1	D
IMDSUBM/15/SC	15PIN M-DSUB MOD SPRING CAGE TB RAIL MNT	556.00	1	EA	1	D
IMDSUBM/25/H	25PIN M-DSUB MOD WTH HOLE RAIL MNT	736.00	1	EA	1	D
IMDSUBM/25/L1	25PIN M-DSUB MOD LED INDIC. RAIL MNT	873.00	1	EA	1	D
IMDSUBM/25/MIL	25PIN M-DSUB MIL(LCSO) GRD MOD RLMT	1,590.00	1	EA	1	D
IMDSUBM/25/S	25PIN M-DSUB MOD RAIL MNT	613.00	1	EA	1	D
IMDSUBM/25/SC	25PIN M-DSUB MOD SPRING CAGE TB RAIL MNT	860.00	1	EA	1	D
IMDSUBM/37/H	37PIN M-DSUB MOD WTH HOLE RAIL MNT (IMDSUBM/37/H)	1,042.00	1	EA	1	D
IMDSUBM/37/L1	37PIN M-DSUB MOD LED INDIC. RAIL MNT	1,320.00	1	EA	1	D
IMDSUBM/37/S	37PIN M-DSUB MOD RAIL MNT	873.00	1	EA	1	D
IMDSUBM/37/SC	37PIN M-DSUB MOD SPRING CAGE TB RAIL MNT	1,310.00	1	EA	1	D
IMDSUBM/50/S	50PIN M-DSUB MOD RAIL MNT	1,060.00	1	EA	1	D
IMDSUBM/9/8CH	9 PIN M-DSUB 8CH MOD RAIL MNT	1,962.00	1	EA	1	D
IMDSUBM/9/L1	9PIN M-DSUB MOD LED INDIC. RAIL MNT	400.00	1	EA	1	D
IMDSUBM/9/S	9PIN M-DSUB MOD RAIL MNT	306.00	1	EA	1	D
IMDSUBM/9/SC	9PIN M-DSUB MOD SPRING CAGE TB RAIL MNT	381.00	1	EA	1	D
IMER4/05D125D2	4CH SSR MOD 05DC IN/OUT 2A ON PCB RL MTG	2,384.00	1	EA	1	E
IMER4/24D125D2	4CH SSR MOD 24DC IN/OUT 2A RL MNTG	3,724.00	1	EA	1	E
IMER4/24D400A3	4CH SSR 24DC I/P AC O/P 3A RL MNTG	5,510.00	1	EA	1	E
IMER8/05D125D2	8CH SSR 05DC IN/OUT 2A ON PCB RL MT	4,672.00	1	EA	1	E
IMER8/24D125D2	8CH SSR MOD 24DC IN/OUT 2A ON PCB RL MTG	7,370.00	1	EA	1	E
IMER8/24D400A3	8CH SSR 24DC I/P AC O/P 3A RL MNTG	11,160.00	1	EA	1	E
IMERS1/05D125D2	1CH SSR MOD 05DC IN/OUT 2A BASE RL MNTG	674.00	1	EA	5	E
IMERS1/24D125D2	1CH SSR MOD 24DC IN/OUT 2A BASE RL MNTG	1,000.00	1	EA	5	E
IMERS1/24D400A3	1CH SSR 24DC I/P AC O/P 3A BASE RL MNTG	1,310.00	1	EA	5	E
IMERS16/24D400A3	16CH SSR 24DC I/P AC O/P 3A BASE RL MNTG (IMERS16/24D400A3)	20,920.00	1	EA	1	E
IMERS2/24D125D2	2CH SSR MOD 24DC IN/OUT 2A BASE RL MNTG	1,793.00	1	EA	1	E
IMERS2/24D400A3	2CH SSR 24DC I/P AC O/P 3A BS RL MTG	2,870.00	1	EA	1	E
IMERS4/24D125D2	4CH SSR MOD 24DC IN/OUT 2A BASE RL MNTG	3,862.00	1	EA	1	E

Part #	Description	List Price in ₹	Per	UOM	Std. Pack	Group
IMERS4/24D400A3	4CH SSR 24DC I/P AC O/P 3A BASE RL MNTG	4,764.00	1	EA	1	E
IMERS8/05D125D2	8CH SSR MOD 05DC IN/OUT 2A BASE RL MT (IMERS8/05D125D2)	4,770.00	1	EA	1	E
IMERS8/05D400A3	8CH SSR 05DC I/P AC O/P 3A BS RL MTG	7,065.00	1	EA	1	E
IMERS8/24D125D2	8CH SSR MOD 24DC IN/OUT 2A BASE RL MNTG	7,680.00	1	EA	1	E
IMERS8/24D400A3	8CH SSR 24DC I/P AC O/P 3A BASE RL MNTG	11,420.00	1	EA	1	E
IMERSF16/05D125D2	16CH SSR 5DC IN/OUT FU 2A BASE RL MNTG (IMERSF16/05D125D2)	19,770.00	1	EA	1	E
IMERSF16/24D125D2	16CH SSR 24DC IN/OUT FU 2A BASE RL MNTG	19,920.00	1	EA	1	E
IMERSF16/24D400A3	16CH SSR 24DC I/P AC O/P 3A FU BSE RL MT	24,470.00	1	EA	1	E
IMERSF2/05D125D2	2CH SSR 05DC IN/OUT FU 2A BASE RL MNTG (IMERSF2/05D125D2)	2,682.00	1	EA	1	E
IMERSF2/24D125D2	2CHSSR24DC IN/OUT FU2A BASE RLMNTG	2,023.00	1	EA	1	E
IMERSF2/24D400A3	2CH SSR 24DC I/P AC O/P 3A FU BSE RL MT	2,710.00	1	EA	1	E
IMERSF4/24D125D2	4CH SSR 24DC IN/OUT FU 2A BASE RL MNTG	3,984.00	1	EA	1	E
IMERSF4/24D400A3	4CH SSR 24DC I/P AC O/P 3A FU RLMT	5,960.00	1	EA	1	E
IMERSF8/05D125D2	8CH SSR 05DC IN/OUT FU 2A BASE RL MNTG (IMERSF8/05D125D2)	9,100.00	1	EA	1	E
IMERSF8/05D400A3	8CH SSR 05DC IN/AC OUT 3A FU BASE RL MT	7,360.00	1	EA	1	E
IMERSF8/24D125D2	8CH SSR 24DC IN/OUT FU 2A BASE RL MNTG	7,920.00	1	EA	1	E
IMERSF8/24D400A3	8CH SSR 24DC I/P AC O/P 3A FU BASE RL MT	10,720.00	1	EA	1	E
IMERSFC8/24D400A3	8CH SSR 24DC I/P AC O/P3A .5AF BASE RLMT (IMERSFC8/24D400A3)	10,720.00	1	EA	1	E
IMF/4/S	FUSE MODULE WITH 04 FUSE HOLDERS	291.00	1	EA	1	D
IMFF/1	Fan Monitor for 2 fans-230V	4,655.00	1	EA	1	E
IMFF/1-110A	Fan Monitor For 2 Fans-110V	5,830.00	1	EA	1	E
IMFF/2	Fan Monitor for 4 fans-230V	6,860.00	1	EA	1	E
IMFFTD/2	Fan Monitor for 4 fans-230V With Temp Monitor	7,575.00	1	EA	1	E
IMFFTD/2-110A	Fan Monitor for 4 fans-110V With Temp Monitor	9,455.00	1	EA	1	E
IMFI/4/S/24	4CH FUSE MOD 24VAC/DC FU FAIL IND RL MT	322.00	1	EA	1	D
IMFI/8/S/24	8CH FUSE MOD 24VAC/DC FU FAIL IND RL MT	567.00	1	EA	1	D
IMIDC/10/H/L	10PIN IDC MOD LNG LTCH WTH HOLE RAIL MNT	322.00	1	EA	1	D
IMIDC/10/S/L	10PIN IDC MOD LNG LTCH RAIL MNT	276.00	1	EA	1	D
IMIDC/10/SC/L	10PIN IDC MOD SPR TB LNG LTCH RAIL MNT	334.00	1	EA	1	D
IMIDC/10/SC/LP	10PIN IDC MOD SPR TB LNG LTCH PNL MNTG	334.00	1	EA	1	D
IMIDC/14/S/L	14PIN IDC MOD LNG LTCH RAIL MNT	352.00	1	EA	1	D
IMIDC/16/S/L	16PIN IDC MOD LNG LTCH RAIL MNT	383.00	1	EA	1	D
IMIDC/20/H/L	20PIN IDC MOD LNG LTCH WTH HOLE RAIL (IMIDC/20/H/L)	536.00	1	EA	1	D
IMIDC/20/L1/L	20PIN IDC MOD LONG LATCH LED INDIC.	800.00	1	EA	1	D
IMIDC/20/S/L	20PIN IDC MOD LNG LTCH RAIL MNT	475.00	1	EA	1	D
IMIDC/20/SC/L	20PIN IDC MOD SPR TB LNG LTCH RAIL MNT	826.00	1	EA	1	D
IMIDC/26/H/L	26PIN IDC MOD LNG LTCH WTH HOLE RAIL MNT	720.00	1	EA	1	D
IMIDC/26/S/L	26PIN IDC MOD LNG LTCH RAIL MNT	600.00	1	EA	1	D
IMIDC/34/H/L	34PIN IDC MOD LNG LTCH WTH HOLE RAIL MNT (IMIDC/34/H/L)	690.00	1	EA	1	D
IMIDC/34/S/L	34PIN IDC MOD LNG LTCH RAIL MNT	660.00	1	EA	1	D
IMIDC/34/SC/L	34PIN IDC MOD SPR TB LNG LTCH RAIL MNT	860.00	1	EA	1	D
IMIDC/40/H/L	40PIN IDC MOD LNG LTCH WTH HOLE RAIL MNT	920.00	1	EA	1	D
IMIDC/40/L1/L	40PIN IDC MOD LONG LATCH LED INDIC (IMIDC/40/L1/L)	1,533.00	1	EA	1	D
IMIDC/40/S/L	40PIN IDC MOD LNG LTCH RAIL MNT	782.00	1	EA	1	D
IMIDC/40/S/L-1	40PIN IDC MOD LNG LTCH RL MT WITH CABLE	3,525.00	1	EA	1	D
IMIDC/40/SC/L	40PIN IDC MOD SPR TB LNG LTCH RAIL MNT	1,100.00	1	EA	1	D
IMIDC/50/H/L	50PIN IDC MOD LNG LTCH WTH HOLE RAIL MNT	1,165.00	1	EA	1	D
IMIDC/50/L1/L	50PIN IDC LONG LATCH LED INDIC RAIL (IMIDC/50/L1/L)	1,720.00	1	EA	1	D
IMIDC/50/S/L	50PIN IDC MOD LNG LTCH RAIL MNT	1,030.00	1	EA	1	D
IMIDC/50/SC/L	50PIN IDC SPR LNG LTCH RAIL MT_IMIDC/50/SC/L	1,370.00	1	EA	1	D
IMIDC/64/S/L	64PIN IDC MOD LNG LTCH RAIL MNT	1,394.00	1	EA	1	D

Part #	Description	List Price in ₹	Per	UOM	Std. Pack	Group
IMMR2SS1/230A	2CO 1CH MOD RLY 230~ BASE RAIL MT	766.00	1	EA	10	E
IMMR2SS1/24	2CO 1CH MOD RLY 24DC BASE RAIL MT	567.00	1	EA	10	E
IMMR2SS1/24A	2CO 1CH MOD RLY 24~ BASE RAIL MT	600.00	1	EA	10	E
IMMR4SS1/110A	4CO 1CH MOD RLY 110~ BASE RAIL MT_IMMR4SS1/110A	985.00	1	EA	5	E
IMMR4SS1/230A	4CO 1CH MOD RLY 230~ BASE RAIL MT	913.00	1	EA	5	E
IMMR4SS1/24	4CO 1CH MOD RLY 24DC BASE RAIL MT	830.00	1	EA	5	E
IMMR4SS1/24A	4CO 1CH MOD RLY 24~ BASE RAIL MT	1,020.00	1	EA	5	E
IMOPTR8/24P/24P	8CH OPTO-TRAN +24DC IN & +24DC OUT RL MT	2,512.00	1	EA	1	E
IMOPTRF12/24P/24N	12CH OPT-TRAN +24DC IN / -VE OUT FU RLMT	2,403.00	1	EA	1	E
IMOPTRF12/24P/24P	12CH OPTO-TRAN +24DC IN & OUT FUSE RL MT	2,580.00	1	EA	1	E
IMOPTRF8/24P/24P	8CH OPTO-TRAN +24DC IN & OUT FUSE RL MT	2,820.00	1	EA	1	E
IMRC32/0.22/1K/2W	32CH RC 0.22μF275V R1K OHM 2W RL MNTG	2,060.00	1	EA	1	E
IMRC32/0.22/470	32CH RC 0.22μF275V R470 OHM 1/2W RL MNTG	2,060.00	1	EA	1	E
IMRE/DI32/24/DM37	2CO 32(MAIN16CH)24DC BASE DI DB37-FBM217	8,540.00	1	EA	1	E
IMRE/DI32/24/DM37E	2CO 32(EXTN16CH)24DC BASEDI+CBLE-FBM217	8,170.00	1	EA	1	E
IMRE/DO16/24/DM37	1CO 16CH RLY 24DC BS DO FU DM37 RLMT	5,554.00	1	EA	1	E
IMRE1S1/110A/OM	1CO 1CH RLY MOD 110~ OMRON RAIL MT	536.00	1	EA	5	E
IMRE1S1/110A/OMRE	1CO 1CH G2RL-1 RLY MOD 110AC RECTFIER	472.00	1	EA	1	E
IMRE1S1/12/OM	1CO 1CH RLY MOD 12DC OMRON RAIL MT	475.00	1	EA	5	E
IMRE1S1/230A/OM	CO 1CH RLY MOD 230~ OMRON RAIL MT	567.00	1	EA	5	E
IMRE1S1/230A/OMRE	1CO 1CH G2RL-1 RLY MOD 230AC RECTFIR VER	434.00	1	EA	1	E
IMRE1S1/24/OM	1CO 1CH RLY MOD 24DC OMRON RAIL MT (IMRE1S1/24/OM)	260.00	1	EA	5	E
IMRE1S16/24/OM	1CO 16CH RLY MOD 24DC OMRON RAIL MT	3,580.00	1	EA	1	E
IMRE1S2/110A/OM	1CO 2CH RLY MOD 110~ OMRON RAIL MT	965.00	1	EA	1	E
IMRE1S2/110A/OMRE	1CO 2CH G2RL-1 RLY MOD 110AC RECTFIER	722.00	1	EA	1	E
IMRE1S2/230A/OM	1CO 2CH RLY MOD 230~ OMRON RAIL MT	1,103.00	1	EA	1	E
IMRE1S2/230A/OMRE	1CO 2CH G2RL-1 RLY MOD 230AC RECTFIR VER	651.00	1	EA	1	E
IMRE1S2/24/OM	1CO 2CH RLY MOD 24DC OMRON RAIL MT	490.00	1	EA	1	E
IMRE1S4/110A/OM	1CO 4CH RLY MOD 110~ OMRON RAIL MT	2,010.00	1	EA	1	E
IMRE1S4/110A/OMRE	1CO 4CH G2RL-1 RLY MOD 110AC RECTFIER	1,392.00	1	EA	1	E
IMRE1S4/230A/OM	1CO 4CH RLY MOD 230~ OMRON RAIL MT	2,180.00	1	EA	1	E
IMRE1S4/230A/OMRE	1CO 4CH G2RL-1 RLY MOD 230AC RECTFIR VER	1,264.00	1	EA	1	E
IMRE1S4/24/OM	1CO 4CH RLY MOD 24DC OMRON RAIL MT (IMRE1S4/24/OM)	920.00	1	EA	1	E
IMRE1S8/110A/OM	1CO 8CH RLY MOD 110~ OMRON RAIL MT	3,910.00	1	EA	1	E
IMRE1S8/110A/OMRE	1CO 8CH G2RL-1 RLY MOD 110AC RECTFIR VER	2,510.00	1	EA	1	E
IMRE1S8/230A/OM	1CO 8CH RLY MOD 230~ OMRON RAIL MT	4,110.00	1	EA	1	E
IMRE1S8/230A/OMRE	1CO 8CH G2RL-1 RLY MOD 230AC RECTFIR VER	2,280.00	1	EA	1	E
IMRE1S8/24/OM	1CO 8CH G2RL RLY MOD 24DC RAIL MT (IMRE1S8/24/OM)	1,793.00	1	EA	1	E
IMRE1S8/24/OM/N	1CO 8CH RLY MOD 24DC OMRON NEG RAIL (IMRE1S8/24/OM/N)	1,732.00	1	EA	1	E
IMRE1SF8/110A/OM	1CO 8CH RLY MOD 110~OMRON FUSE RAIL MT (IMRE1SF8/110A/OM)	3,540.00	1	EA	1	E
IMRE1SS1/110A/OM	1CO 1CH RLY MOD 110~ BS OM RAIL MT	604.00	1	EA	5	E
IMRE1SS1/12/OM	1CO 1CH RLY MOD 12DC BASE OMRON RAIL MT (IMRE1SS1/12/OM)	555.00	1	EA	5	E
IMRE1SS1/230A/OM	1CO 1CH RLY MOD 230~ BASE OMRON RAIL MT	620.00	1	EA	5	E
IMRE1SS1/24/OM	1CO 1CH RLY MOD 24DC BASE OMRON RAIL (IMRE1SS1/24/OM)	318.00	1	EA	5	E
IMRE1SS1/24A/OM	1CO 1CH RLY MOD 24~ BASE OMRON RAIL MT	490.00	1	EA	5	E
IMRE1SS1/24A/OMRE	1CO 1CH G2RL-1 RL MOD 24AC BASE RECT VER	432.00	1	EA	5	E
IMRE1SS16/110A/OM	1CO 16CH RLY MOD 110~ BASE OMRON RAIL MT	8,630.00	1	EA	1	E
IMRE1SS16/230A/OM	1CO 16CH RLY MOD 230~ BASE OMRON RAIL MT	9,070.00	1	EA	1	E
IMRE1SS16/24/DM37	1CO 16CH RLY MOD 24DC BASE DM37 RAIL MT	4,650.00	1	EA	1	E
IMRE1SS16/24/OM	1CO 16CH RLY MOD 24DC BASE OMRON RAIL MT (IMRE1SS16/24/OM)	4,243.00	1	EA	1	E
IMRE1SS16/24/OM/N	1CO 16CH RLY MOD 24DC BASE OM NEG R	3,920.00	1	EA	1	E

Part #	Description	List Price in ₹	Per	UOM	Std. Pack	Group
IMRE1SS16/24/WR	IMRE1SS16/24/OM WITHOUT G2R-1 RELAY	2,350.00	1	EA	1	E
IMRE1SS16/24A/OM	1CO 16CH RLY MOD 24~ BASE OMRON RAIL MT	8,080.00	1	EA	1	E
IMRE1SS16/OM/CNC	1CO 16CH G2RL-1 RLY 24DC IDC50 RL MT	5,433.00	1	EA	1	E
IMRE1SS16/PLC	1CO 16CH RLY 24DC BASE IDC50-PLC MOD	4,490.00	1	EA	1	E
IMRE1SSF16/110A/OM	1CO 16CH RLY MOD 110AC BASE OM FU RL	7,460.00	1	EA	1	E
IMRE1SSF16/24/OM	1CO 16CH G2RL MOD 24DC BASE OM FUSE R (IMRE1SSF16/24/OM)	4,810.00	1	EA	1	E
IMRE1SSF16/CNCD24D	1NO 16CH FU 24DSSR125DBASE IDC50 RL MT	20,730.00	1	EA	1	E
IMRE1SSF16/OM/CNC	1CO 16CH FU G2RL-1 RLY 24DC IDC50 RL MT	5,990.00	1	EA	1	E
IMRE1SSF2/24/OM	1CO 2CH RLY MOD 24DC BASE OM FUSE RL MT	711.00	1	EA	1	E
IMRE1SSF4/230A/OM	1CO 4CH RLY MOD 230AC BASE OM FUSE RL MT	2,560.00	1	EA	1	E
IMRE1SSF4/24/OM	1CO 4CH RLY MOD 24DC BASE OM FUSE RL (IMRE1SSF4/24/OM)	1,471.00	1	EA	1	E
IMRE1SSF8/110A/OM	1CO 8CH RLY MOD 110AC BASE OM FU RL MT	3,600.00	1	EA	1	E
IMRE1SSF8/230A/OM	1CO 8CH RLY MOD 230AC BASE OM FU RL MT (IMRE1SSF8/230A/OM)	4,705.00	1	EA	1	E
IMRE1SSF8/24/OM	1CO 8CH G2RLRLY MOD 24DC BASE OM FUSE RL (IMRE1SSF8/24/OM)	2,840.00	1	EA	1	E
IMRE1SSF8/24/OM	1CO 8CH RLY 24DC BASE OM FU FL IND R	2,760.00	1	EA	1	E
IMRE1SSF8/24/OM/1	1CO 8CH 24DC BAS OM G2RL FU FL O/P24DCRL	2,822.00	1	EA	1	E
IMRE2S1/230A/OM	2CO 1CH RLY MOD 230~ OMRON RAIL MT (IMRE2S1/230A/OM)	630.00	1	EA	5	E
IMRE2S1/24/OM	2CO 1CH G2RL MOD 24DC OMRON RAIL MT (IMRE2S1/24/OM)	368.00	1	EA	5	E
IMRE2S1/24A/OMRE	2CO 2CH G2RL-2 MOD 24AC RECTIFIER VER	441.00	1	EA	1	E
IMRE2S16/230A/OM	2CO 16CH RLY MOD 230~ OMRON RAIL MT (IMRE2S16/230A/OM)	9,940.00	1	EA	1	E
IMRE2S2/110A/OM	2CO 2CH RLY MOD 110~ OMRON RAIL MT	1,103.00	1	EA	5	E
IMRE2S2/110A/OMRE	2CO 2CH G2RL-2 RLY MOD 110AC RECTFIR VER	1,010.00	1	EA	1	E
IMRE2S2/230A/OM	2CO 2CH RLY MOD 230~ OMRON RAIL MT (IMRE2S2/230A/OM)	1,200.00	1	EA	1	E
IMRE2S2/230A/OMRE	2CO 2CH G2RL-2 RLY MOD 230AC RECTI VER	913.00	1	EA	1	E
IMRE2S2/24/OM	2CO 2CH RLY MOD 24DC OMRON RAIL MT (IMRE2S2/24/OM)	705.00	1	EA	1	E
IMRE2S4/230A/OM	2CO 4CH RLY MOD 230~ OMRON RAIL MT (IMRE2S4/230A/OM)	2,300.00	1	EA	1	E
IMRE2S4/24/OM	2CO 4CH G2RL 24DC OMRON RAIL MT (IMRE2S4/24/OM)	1,320.00	1	EA	1	E
IMRE2S8/110A/OM	2CO 8CH RLY MOD 110~ OMRON RAIL MT	4,122.00	1	EA	1	E
IMRE2S8/230A/OM	2CO 8CH RLY MOD 230~ OMRON RAIL MT	4,460.00	1	EA	1	E
IMRE2S8/24/OM	2CO 8CH RLY MOD 24DC OMRON RAIL MT	2,654.00	1	EA	1	E
IMRE2SS1/110A/OM	2CO 1CH RLY MOD 110~ BASE OMRON RAIL MT	644.00	1	EA	5	E
IMRE2SS1/12/OM	2CO 1CH RLY MOD 12DC BASE OMRON RAIL MT	536.00	1	EA	5	E
IMRE2SS1/230A/OM	2CO 1CH RLY MOD 230~ BASE OMRON RAIL MT	630.00	1	EA	5	E
IMRE2SS1/24/OM	2CO 1CH RLY MOD 24DC BASE OMRON RAIL MT	406.00	1	EA	5	E
IMRE2SS16/110A/OM	2CO 16CH RLY MOD 110~ BS OM RAIL MT (IMRE2SS16/110A/OM)	8,935.00	1	EA	1	E
IMRE2SS16/230A/OM	2CO 16CH RLY MOD 230~ BASE OMRON RAIL MT	9,300.00	1	EA	1	E
IMRE2SS16/24/DM37	2CO 16CH RLY 24DCG2RL2 BASE DM37 RAIL MT (IMRE2SS16/24/DM37)	5,440.00	1	EA	1	E
IMRE2SS16/24/OM	2CO 16CH RLY MOD 24DC BASE OMRON RAIL MT (IMRE2SS16/24/OM)	4,950.00	1	EA	1	E
IMRE2SS16/24/OM/N	2CO 16CH G2RL RLY MOD 24DC BASE NEG RA	5,030.00	1	EA	1	E
IMRE2SS2/110A/OM	2CO 2CH RLY MOD 110~ BASE OMRON RAIL MT	1,241.00	1	EA	1	E
IMRE2SS2/230A/OM	2CO 2CH RLY MOD 230~ BASE OMRON RAIL MT	1,241.00	1	EA	1	E
IMRE2SS2/24/OM	2CO 2CH RLY MOD 24DC BASE OMRON RAIL MT	736.00	1	EA	1	E
IMRE2SS4/110A/OM	2CO 4CH RLY MOD 110~ BS OM RAIL MT	2,390.00	1	EA	1	E
IMRE2SS4/12/OM	2CO 4CH RLY MOD 12DC BASE OMRON RAIL MT	1,701.00	1	EA	1	E
IMRE2SS4/230A/OM	2CO 4CH RLY MOD 230~ BASE OMRON RAIL MT	2,380.00	1	EA	1	E
IMRE2SS4/24/OM	2CO 4CH RLY MOD 24DC BASE OMRON RAIL MT	1,394.00	1	EA	1	E
IMRE2SS4/24/OM/N	2CO 4CH RLY MOD 24DC BASE OM NEG RAI	1,350.00	1	EA	1	E
IMRE2SS4/24A/OM	2CO 4CH RLY MOD 24~ BS OM RAIL MT	2,283.00	1	EA	1	E
IMRE2SS8/110A/OM	2CO 8CH RLY MOD 110~ BASE OMRON RAIL MT	4,290.00	1	EA	1	E
IMRE2SS8/230A/OM	2CO 8CH RLY MOD 230~ BASE OMRON RAIL MT	4,630.00	1	EA	1	E
IMRE2SS8/230A/OMRE	2CO 8CH G2RL-2 MOD 230AC BASE RECT VER	4,120.00	1	EA	1	E

Part #	Description	List Price in ₹	Per	UOM	Std. Pack	Group
IMRE2SS8/24/OM	2CO 8CH G2RL RLY MOD 24DC BASE RAIL MT	2,640.00	1	EA	1	E
IMRE2SS8/24/OM/N	2CO 8CH G2RL MOD 24DC BASE NEG RAIL MT	2,513.00	1	EA	1	E
IMRE2SS8/24A/OM	2CO 8CH RLY MOD 24~ BASE OMRON RAIL MT	3,750.00	1	EA	1	E
IMRE2SS8/24A/OMRE	2CO 8CH G2RL-2 MOD24AC BASE RECTIFIE VER	3,684.00	1	EA	1	E
IMRE2SSF1/24/OM	2CO 1CH RLY MOD 24DC BASE OM FUSE RL	503.00	1	EA	1	E
IMRE2SSF2/24/OM	2CO 2CH O/P FUSE RL MOD 24DC BASE OM (IMRE2SSF2/24/OM)	950.00	1	EA	1	E
IMRE2SSF4/110A/OM	2CO 4CH RLY MOD 110A BS OM FU RL MT	2,330.00	1	EA	1	E
IMRE2SSF4/24/OM	2CO 4CH RLY MOD 24DC BASE OM FUSE RL (IMRE2SSF4/24/OM)	1,670.00	1	EA	1	E
IMRE2SSF8/230A/OM	2CO 8CH RLY MOD 230A BASE OM FUSE RL MT (IMRE2SSF8/230A/OM)	5,230.00	1	EA	1	E
IMRE2SSF8/24/OM	2CO 8CH G2R MOD 24DC BASE NEG RAIL MT (IMRE2SSF8/24/OM)	3,080.00	1	EA	1	E
IMRE2SFF4/24/OM/1	2CO 4CH 24DC BAS OM G2RL FU FL O/P24DCRL	2,290.00	1	EA	1	E
IMRE4SS1/230A/OM	4CO 1CH RLY MOD 230~ BASE OMRON RAIL MT	782.00	1	EA	1	E
IMRE4SS1/24/OM	4CO 1CH RLY MOD 24DC BASE OMRON RAIL MT	782.00	1	EA	1	E
IMRE4SS2/230A/OM	4CO 2CH RLY MOD 230~ BASE OMRON RAIL MT	1,520.00	1	EA	1	E
IMRE4SS2/24/OM	4CO 2CH RLY MOD 24DC BASE OMRON RAIL MT	1,520.00	1	EA	1	E
IMRE4SS4/110A/OM	4CO 4CH RLY MOD 110~ BASE OMRON RAIL MT	2,990.00	1	EA	1	E
IMRE4SS4/110A/R	4CO 4CH RLY MOD 110~ BASE OM REV RAIL MT	2,990.00	1	EA	1	E
IMRE4SS4/230A/OM	4CO 4CH RLY MOD 230~ BASE OMRON RAIL MT	3,240.00	1	EA	1	E
IMRE4SS4/24/OM	4CO 4CH RLY MOD 24DC BASE OMRON RAIL MT	2,960.00	1	EA	1	E
IMRE4SS8/110A/OM	4CO 8CH RLY MOD 110~ BASE OMRON RAIL MT	5,530.00	1	EA	1	E
IMRE4SS8/110A/R	4CO 8CH RLY MOD 110~ BASE OM REV RAIL MT	5,530.00	1	EA	1	E
IMRE4SS8/230A/OM	4CO 8CH RLY MOD 230~ BASE OMRON RAIL MT	5,530.00	1	EA	1	E
IMRE4SS8/24/OM	4CO 8CH RLY MOD 24DC BASE OMRON RAIL MT	5,760.00	1	EA	1	E
IMREDI16/24/DM370M	1CO 16CH G2RL RLY 24DC BS DI FU DM37RLMT	5,414.00	1	EA	1	E
IMREF1SS4/24/OM	1CO 4CH IP FUSE RL MOD 24DC BASE OM R	1,320.00	1	EA	1	E
IMREF1SS8/110A/OM	1CO 8CH IP FU RL 110AC BS OM RLMT	3,693.00	1	EA	1	E
IMREF1SS8/24/OM	1CO 8CH IP FUSE RL MOD 24DC BASE OM R (IMREF1SS8/24/OM)	2,390.00	1	EA	1	E
IMREF2SS8/230A/OM	2CO 8CH IP FU RLY 230AC B OM RL MT (IMREF2SS8/230A/OM)	4,920.00	1	EA	1	E
IMREF2SS8/24/OM	2CO 8CH IP FUSE RL MOD 24DC BASE OM	3,080.00	1	EA	1	E
IMRJ45/1:1/8/HS	RJ45 MOD HORIZ. SHLD AT TWO END RAIL MNT	600.00	1	EA	1	D
IMRJ45/8/H	8PIN RJ45 MOD HORIZ. RAIL MNT	613.00	1	EA	1	D
IMRJ45/8/HS	8PIN RJ45 MOD HORIZ. SHEILDDED RAIL MNT	630.00	1	EA	1	D
IMRJ45/8/V	8PIN RJ45 MOD VERTICAL RAIL MNT	475.00	1	EA	1	D
IMRJ45/8/V/6	6CH 8PIN RJ45 MOD VERTICAL RAIL MNT	2,743.00	1	EA	1	D
IMTLM/26/26	26 PIN SPRING TERMINAL DISTRIBUTION MOD	1,090.00	1	EA	1	D
IMTLM/9/9	9 PIN SPRING TERMINAL DISTRIBUTION MOD	715.00	1	EA	1	D
IMV/14/R/275	VARISTOR MOD 14 CH COMN ANODE 275 VOLT	1,563.00	1	EA	1	D
IMV/9/R/275	VARISTOR MOD 9 CH COMN ANODE 275 VOLT	1,011.00	1	EA	1	D
MFMT108G	MNTG FOOT 108MM FR MNTG TRACK GRY	10.25	1	EA	50	D
MFMT108GN	MNTG FOOT 108MM FR MNTG TRACK GRN	10.25	1	EA	50	D
MFMT73G1	MNTG FOOT 73MM FR MNTG TRACK GRY (NEW)	9.00	1	EA	50	D
MFMT73GN	MNTG FOOT 73MM FR MNTG TRACK GRN	9.00	1	EA	50	D
MT108G/2	MNTG TRACK (108 MM PCB) GRY - 2 MTR	2,110.00	1	EA	50	D
MT108GN/1	MNTG TRACK (108 MM PCB) GRN - 1 MTR	1,054.00	1	EA	50	D
MT108GN/2	MNTG TRACK (108 MM PCB) GRN - 2 MTR	2,110.00	1	EA	50	D
MT73G/1	MNTG TRACK (73 MM PCB) GRY - 1 MTR	1,020.00	1	EA	50	D
MT73G/2	MNTG TRACK (73 MM PCB) GRY - 2 MTR	2,040.00	1	EA	50	D
MT73GN/1	MNTG TRACK (73 MM PCB) GRN - 1 MTR	983.00	1	EA	50	D
MT73GN/2	MNTG TRACK (73 MM PCB) GRN - 2 MTR	1,970.00	1	EA	50	D
SRL1-24D	CW SLIM RELAY SPDT 24VDC 1 CO	234.00	1	EA	1	E

Discontinued Parts : Terminal Blocks

Discontinued Product	Equivalent Product
CSDL4U	No Equivalent
DB70	PDB70
DB400	PDB120
DB185	PDB185
ADLG2.5	CXDLG2.5
ATL2.5	CPTL2.5
ATL2.5H	CPST1.5/3
ATLG2.5	CPTLG2.5
CP3L2.5	CPTL2.5
CP3L2.5(I.S)	CPTL2.5(I.S)
CP3LG2.5	CPTLG2.5
CP3LG2.5(I.S)	CPTLG2.5(I.S)
CCS2X2-6	No Equivalent
CCS3-8	No Equivalent
CCS4-13.5	No Equivalent
CCS10-20	No Equivalent
CCS15-32	No Equivalent
CSB4/N4U	CSB4/N4UN
CGT4N	CTSG4
CBDT4U	CBDT4UNS

Terms & Conditions:

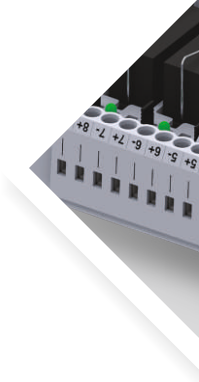
Price	Ex Works Dombivli, excluding freight, taxes etc.
Packing & Forwarding	Included in the prices
GST	Extra as applicable at the time of despatch
Freight	To be borne by the customer
Insurance	Goods will be dispatched duly insured
Shortage / Loss in Transit	Shortage, damage or loss in transit, if any, should be intimated to us within 24 hours of the time of receipt of consignment. Necessary certificate from the transporter / railways should be forwarded to us.
Place of Jurisdiction	Mumbai, India
Note	Standard Colour for Polyamide 66 Terminal Blocks is Grey. Standard Colour for Melamine Terminal Blocks is Khaki. Pre Assembled Terminal Block as per customer's drawing complete with marking tags, interconnecting and mounting accessories can be supplied on quote basis. This price list supersedes all our earlier price lists and is subject to revision without prior intimation. MKT/8.2/05

Notes

A series of 20 horizontal light blue bars, each serving as a line for notes. The bars are evenly spaced and extend across most of the page width.

CONNECTWELL INDUSTRIES PVT. LTD.
B4, Phase 2, MIDC, Dombivli - 421 204, India

connect@connectwell.com
+91 251 7120 600 / 6762 600



LinkedIn



connectwell.com

